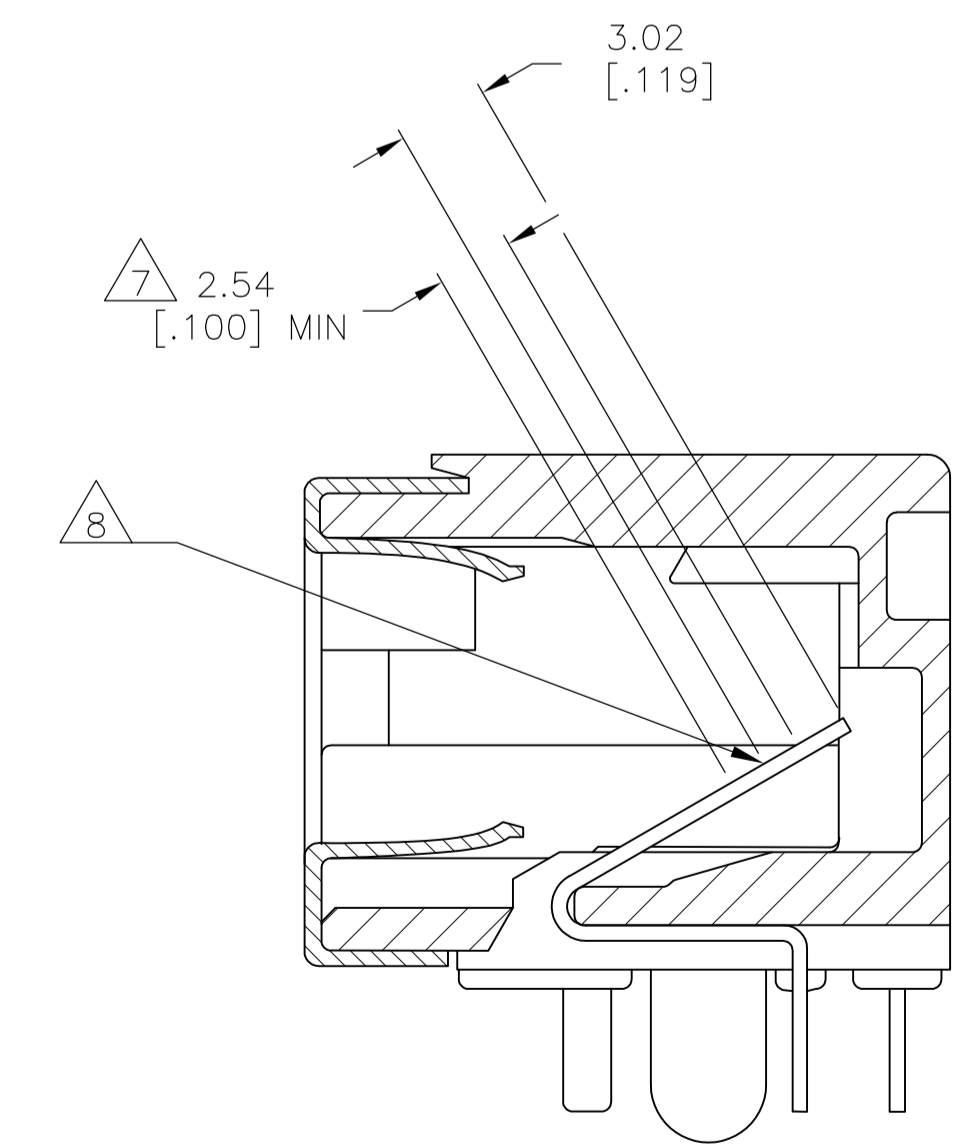
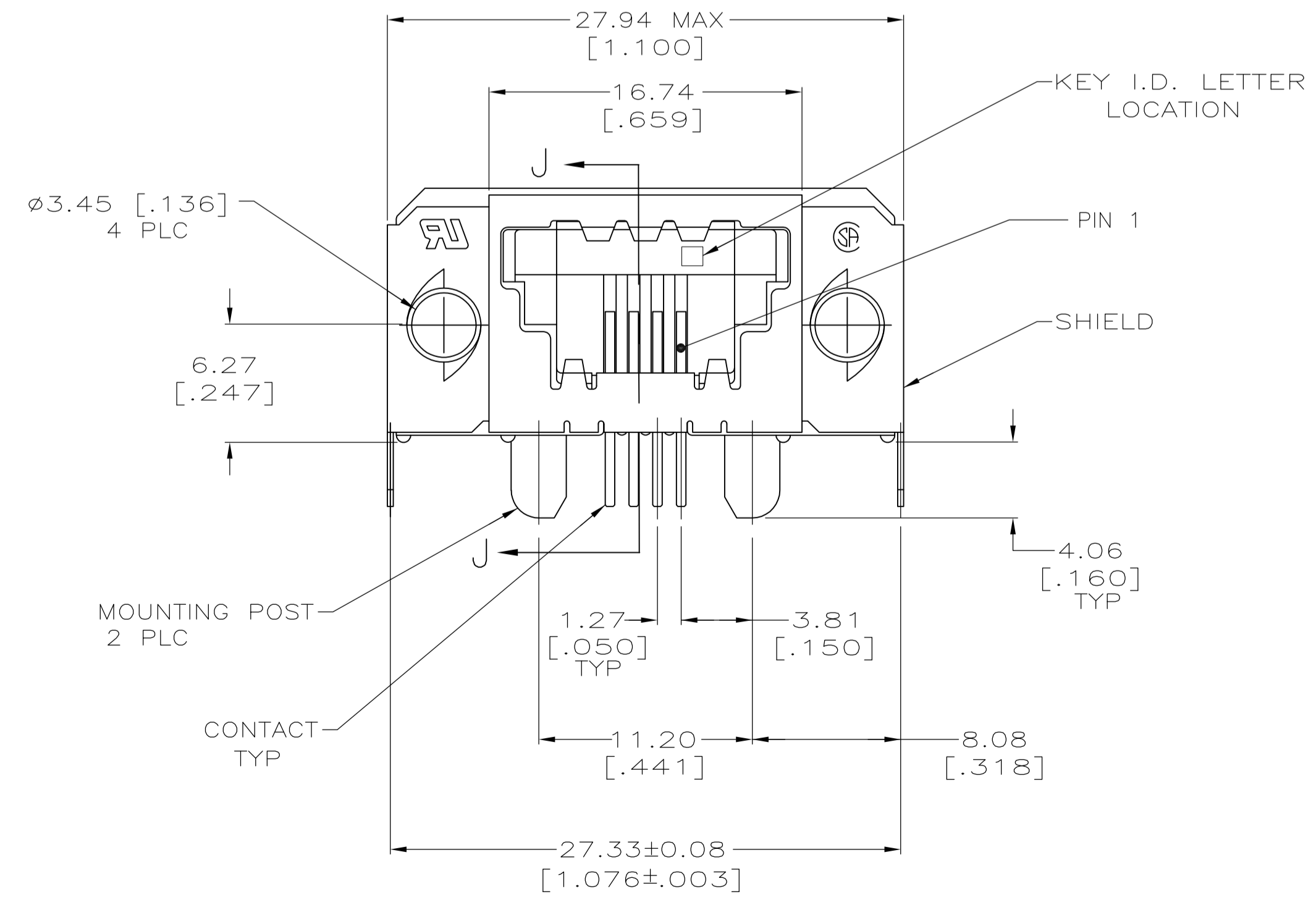
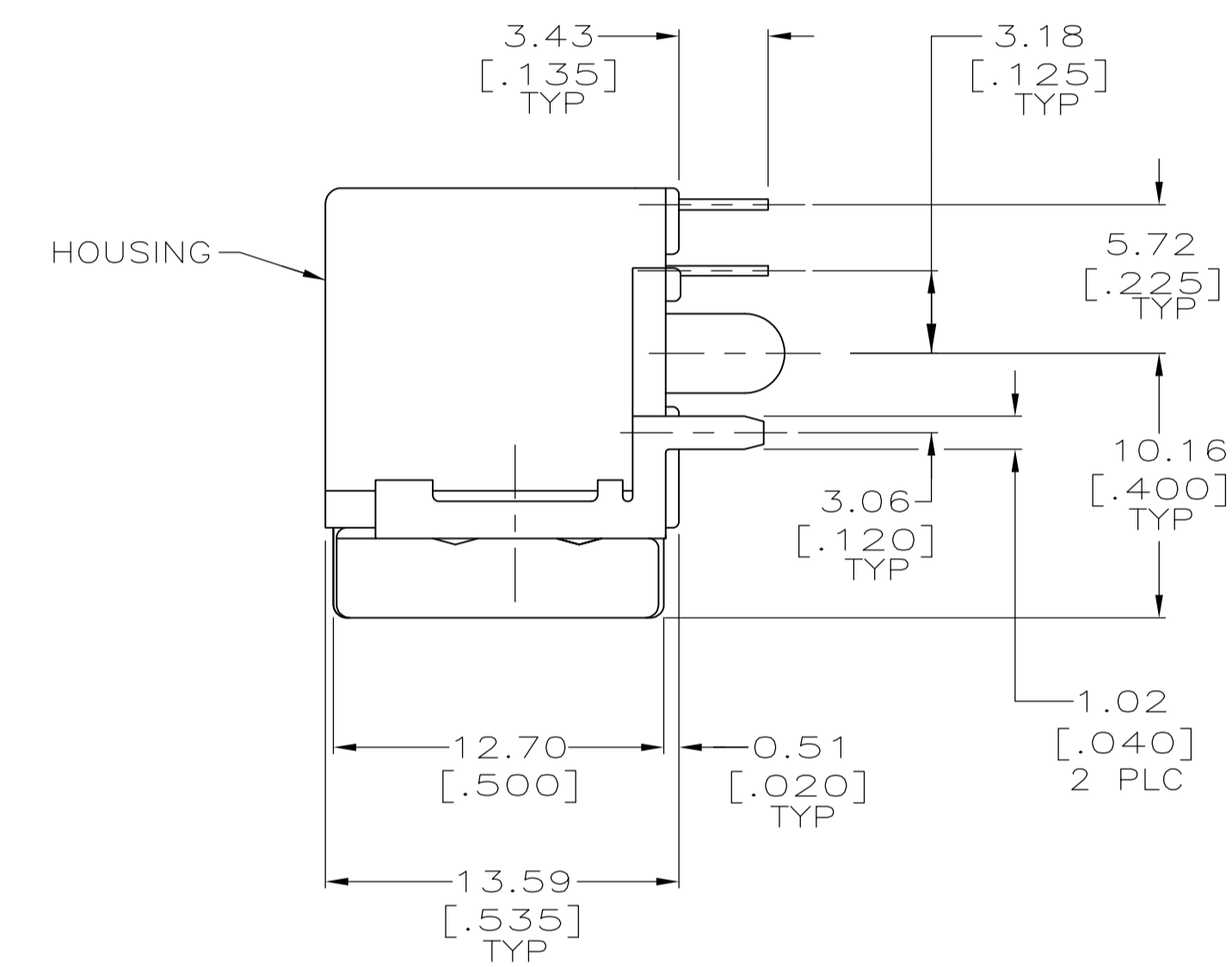
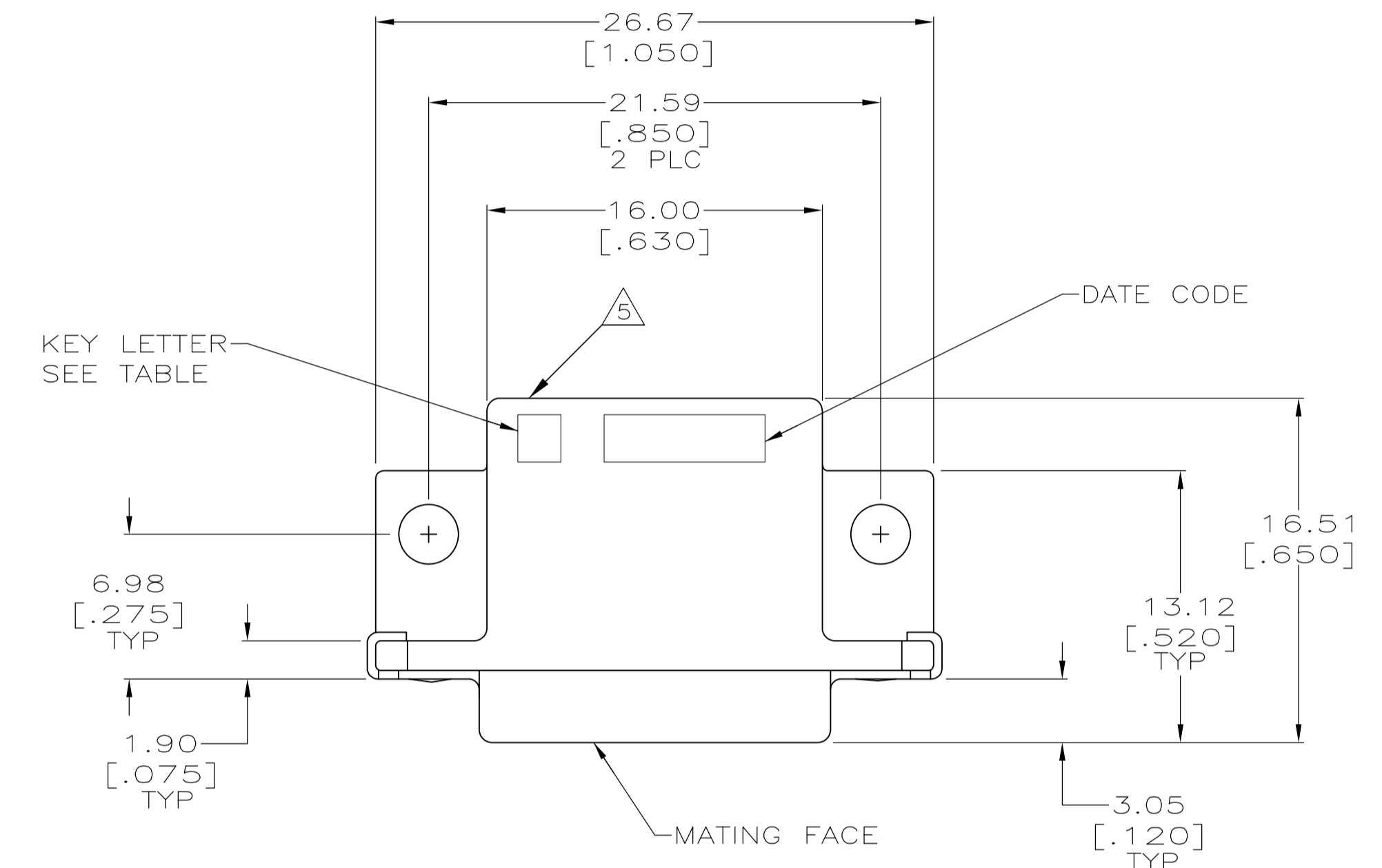


LOC		DIST		REVISIONS			
P	LTR	DESCRIPTION	DATE	DN	APVD		
B		REVISED PER ECO-11-019758	13FEB2012	CJV	CWR		

1. PREFIX AND SUFFIX NUMBERS MUST MATCH THOSE ON PLUG ASSEMBLY FOR PARTS TO MATE.
2. POLYESTER, FLAME RETARDANT, UL 94V-0 RATED, GLASS FILLED, BLACK.
3. 3.81µm [.000150] MIN BRIGHT TIN OVER 1.27µm [.000050] MIN NICKEL.
4. 1.27µm [.000050] MIN GOLD ON MATING SURFACE FOR A LENGTH OF 2.54 [.100] MIN, 3.81µm [.000150] MIN MATTE TIN ON OPPOSITE END FOR A LENGTH OF 3.81 [.150] MIN, BOTH OVER 1.27µm [.000050] MIN NICKEL ON ENTIRE CONTACT.
5. NUMBERS 13, 14, 15, 16 OR LETTER P TO APPEAR ON LOWER RIGHT REAR OF HOUSING IN AREA INDICATED.
6. PACKAGE IN TUBES.
7. DIMENSION INDICATES CONTACT MATING AREA.
8. PLATING MEASUREMENT POINT.



SECTION J-J

OBsolete	E	5-1761195-1
	A	1-1761195-1
KEY I.D. LETTER		PART NO

THIS DRAWING IS A CONTROLLED DOCUMENT. DIMENSIONING AND TOLERANCING PER ASME Y14.5M-2009		DIN B MCMASIER 18FEB04	TE Connectivity	
DIMENSIONS: mm [INCHES]		CJK C RÖHDE 30APR04	NAME	
TOLERANCES UNLESS OTHERWISE SPECIFIED:		APVD M WALMSLEY 30APR04	PRODUCT SPEC	
0 PLC ± -	1 PLC ± -	108-2047		
2 PLC ± -	3 PLC ± 0.38 [.015]	APPLICATION SPEC		
4 PLC ± -	ANGLES ± -	114-2081		
MATERIAL	FINISH	WEIGHT	SIZE	CAGE CODE
			A1	00779
CUSTOMER DRAWING		DRAWING NO		RESTRICTED TO
		1761195		
		SCALE	SHEET	REV
		4:1	1 of 1	B