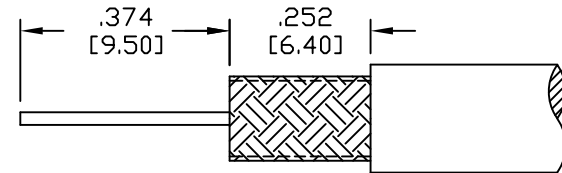
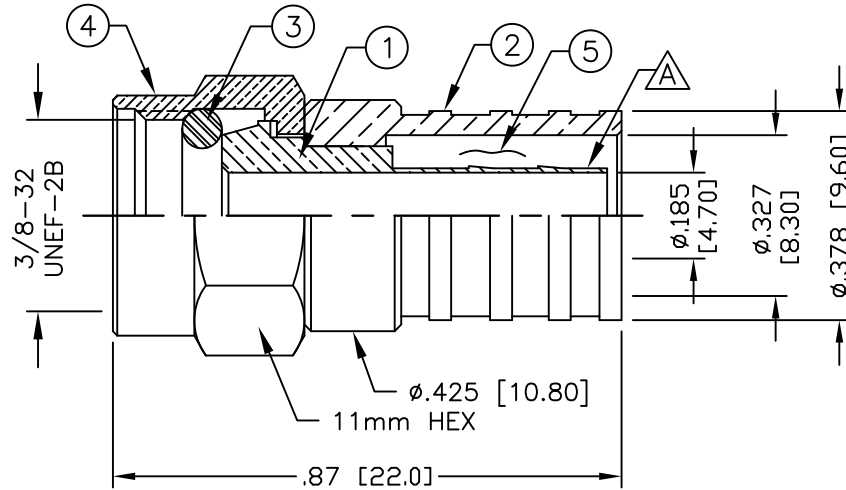


PART NO.

RFF-1402-08

REV	DESCRIPTION	DWN	DATE	APPROVED
B	UPDATED DWG FORMAT & SPECS	CZS	06/16/20	JDMc



RECOMMENDED STRIPPING DIMENSIONS
RECOMMENDED FERRULE CRIMP SIZE: .324"

NOTE: ITEM **A** SHOULD SLIDE UNDER
CABLE JACKET WHEN INSERTING CABLE INTO CONNECTOR

SPECIFICATIONS:

IMPEDANCE: 75 Ohm
RETURN LOSS: >30dB FOR 1GHz
OPERATING TEMPERATURE RANGE: -40° TO 60°C
FOR RG-6/U

5	GEL	1	SILICA GEL	CLEAR
4	SHELL	1	BRASS	NICKEL
3	O-RING	1	SILICONE	BLACK
2	FERRULE	1	BRASS	NICKEL
1	BODY	1	BRASS	NICKEL
#	DESCRIPTION	QTY	MATERIAL	FINISH

CUSTOMER
OUTLINE DRAWINGALL DIMENSIONS
ARE REFERENCE ONLYUNLESS OTHERWISE SPECIFIED:
DIMENSIONS ARE IN INCHES
AND [MILLIMETERS]DRAWN
C. ZUÑIGA 06/16/20

CHECKED

ORJ DRAWN
C. ZUÑIGA 12/1/00

RoHS
COMPLIANT

PROPRIETARY AND CONFIDENTIAL
THIS DRAWING CONTAINS
INFORMATION PROPRIETARY TO
RF INDUSTRIES, ANY
UNAUTHORIZED USE OF THIS
DRAWING IS EXPRESSLY
PROHIBITED WITHOUT WRITTEN
PERMISSION FROM RF
INDUSTRIES. ANY VIOLATION IS
PUNISHABLE UNDER U.S.
COPYRIGHT LAWS.

RFconnectors
DIVISION OF RF INDUSTRIES, LTD.

RFINDUSTRIES.COM
7610 MIRAMAR RD.
SAN DIEGO, CA 92126
(858) 549-6340
(858) 549-6345 FAX

F CRIMP PLUG

FOR RG-6 CABLE

CABLE GROUP	DWG #	REVISION
Q	RFF-1402-08	B
FORMAT	SCALE	CONTROL #
A	NTS	000000

SHEET 1 OF 1