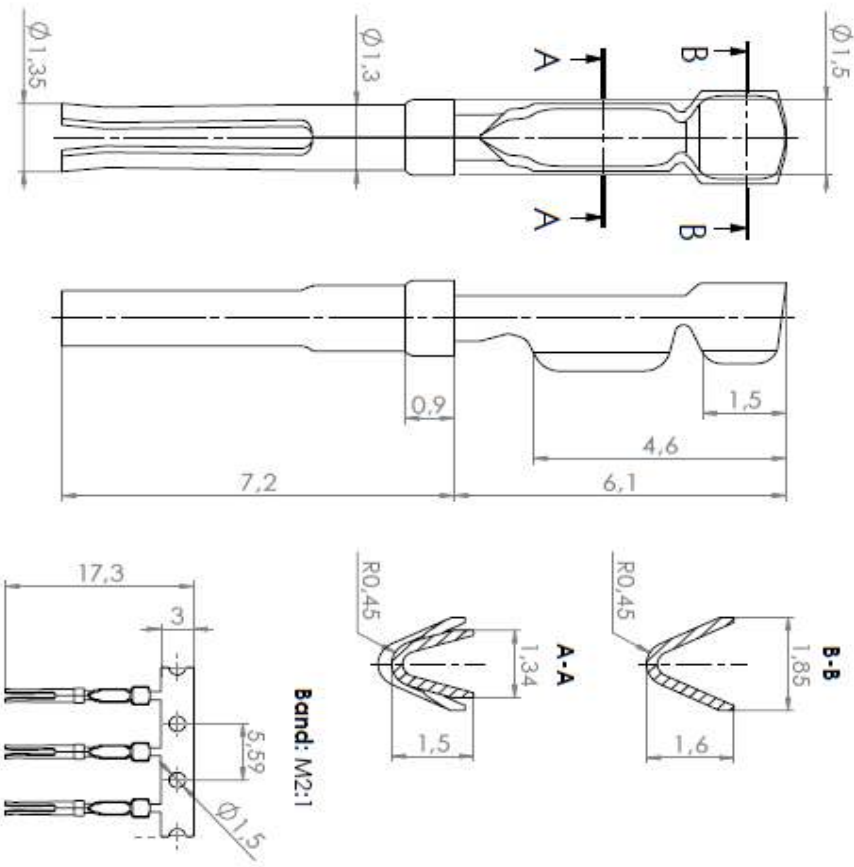


PIN
 Material: Copper alloy
 Stamped crimp pin contact for wire size 24-28,
 plating 0.6 µm (25 microinches) Au over Ni.
 The contacts are selectively gold plated in the mating area.

RoHS compliant

1731120748	P110-06V-6098	300 pcs on one reel
1731120648	P110-06V-5876	2,000 pcs on one reel
1731120751	P110-06V-6103	10,000 pcs on one reel
Part No.	Part No.	Packing Unit (Stock)



SOCKET
 Material: Copper alloy
 Stamped crimp socket contact for wire size 24-28,
 plating 0.6 µm (25 microinches) Au over Ni.
 The contacts are selectively gold plated in the mating area.

RoHS compliant

1731120749	S110-06V-6098	300 pcs on one reel
1731120254	S110-06V-5876	2,000 pcs on one reel
1731120750	S110-06V-6103	10,000 pcs on one reel
Part No.	Part No.	Packing Unit (Stock)

REV.	DATE	CH-NO.	ORIGINAL OR AS-BUILT	REPLACEMENT FOR	REV.
1					1

	NAME / DATE TECHNICAL CHECKED 19-06-2018	SCALE 10:1	TITLE HD Crimp contacts, stamped for wire size 24-28AWG
--	---	---------------	--

FCT a mabe company

DWG. NO. **S110 / P110_D**

PAGE 1