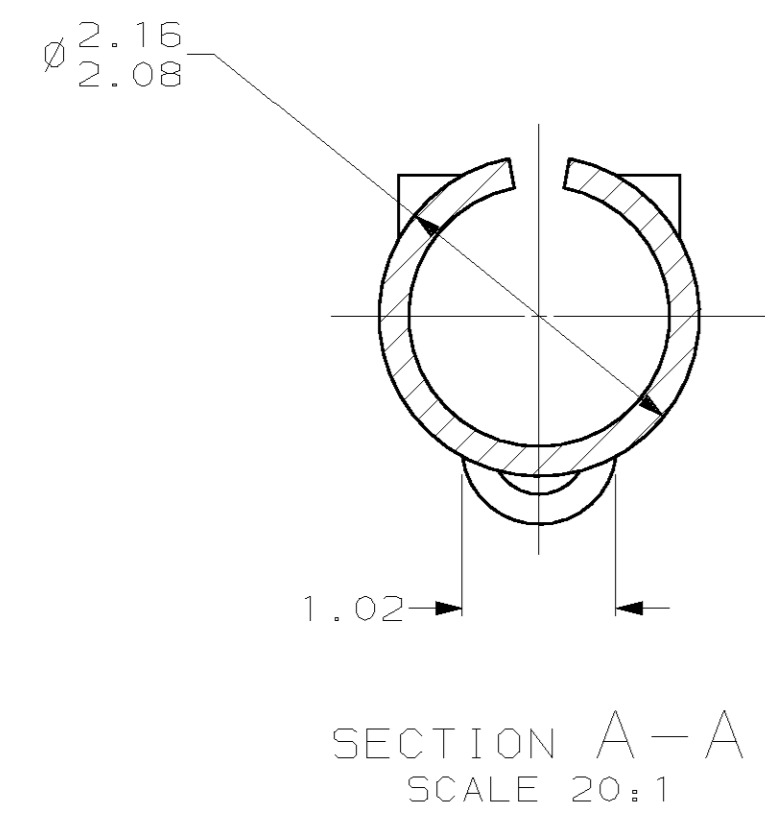
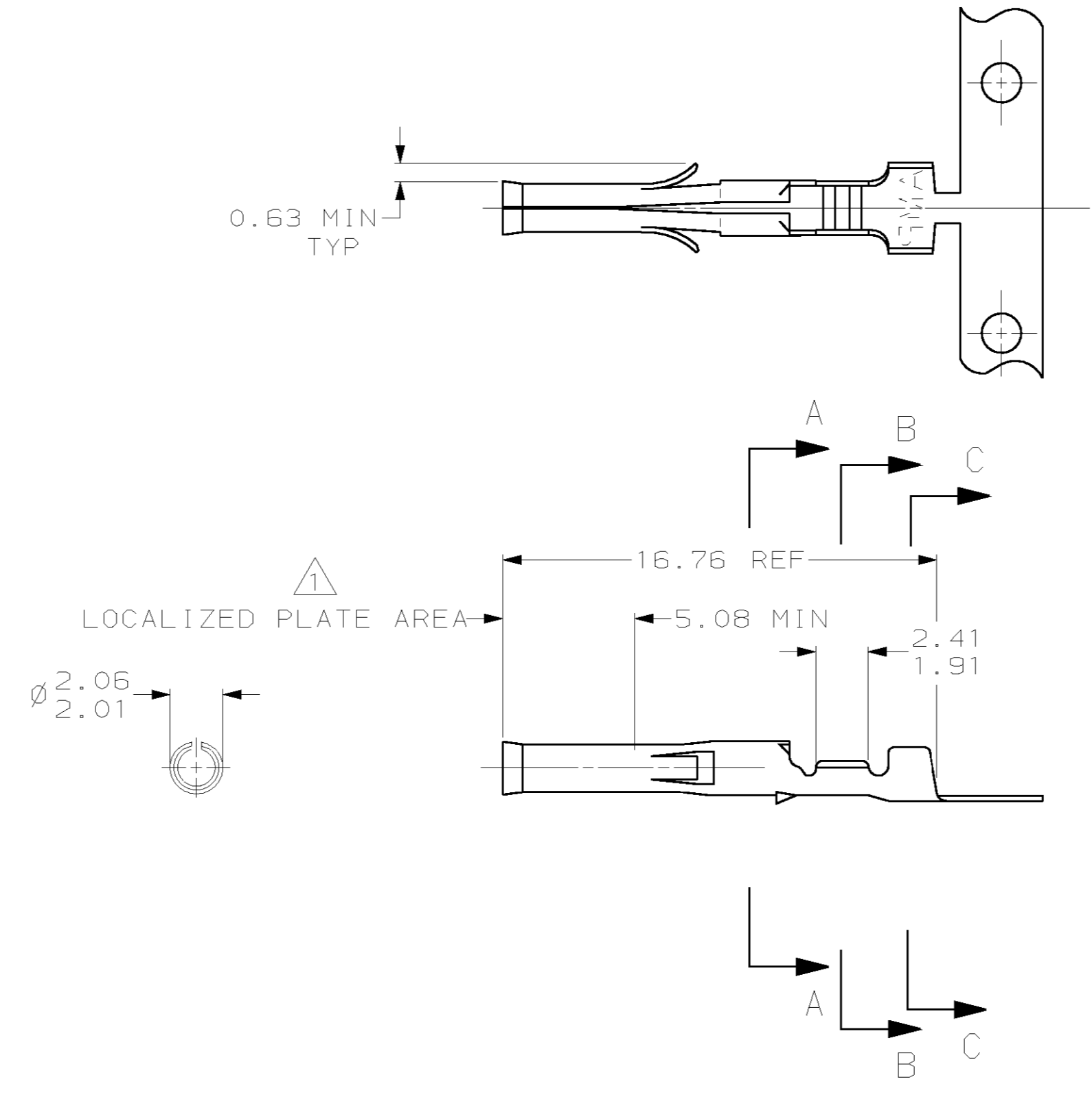
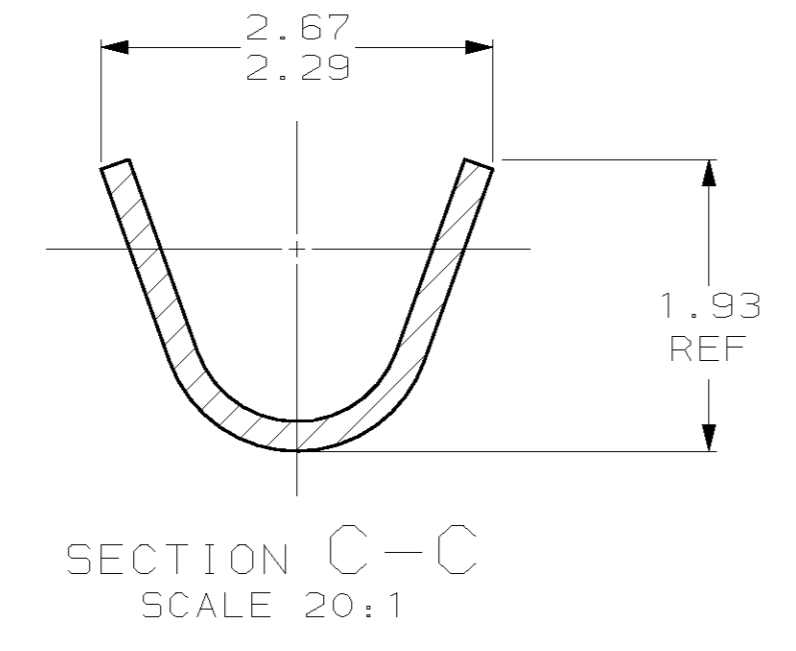
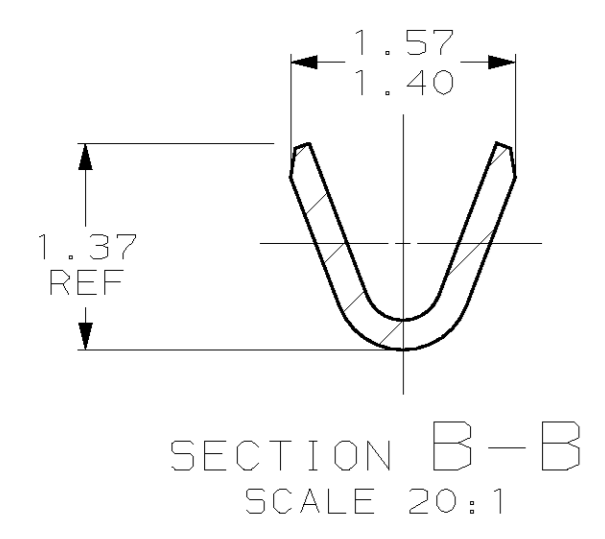
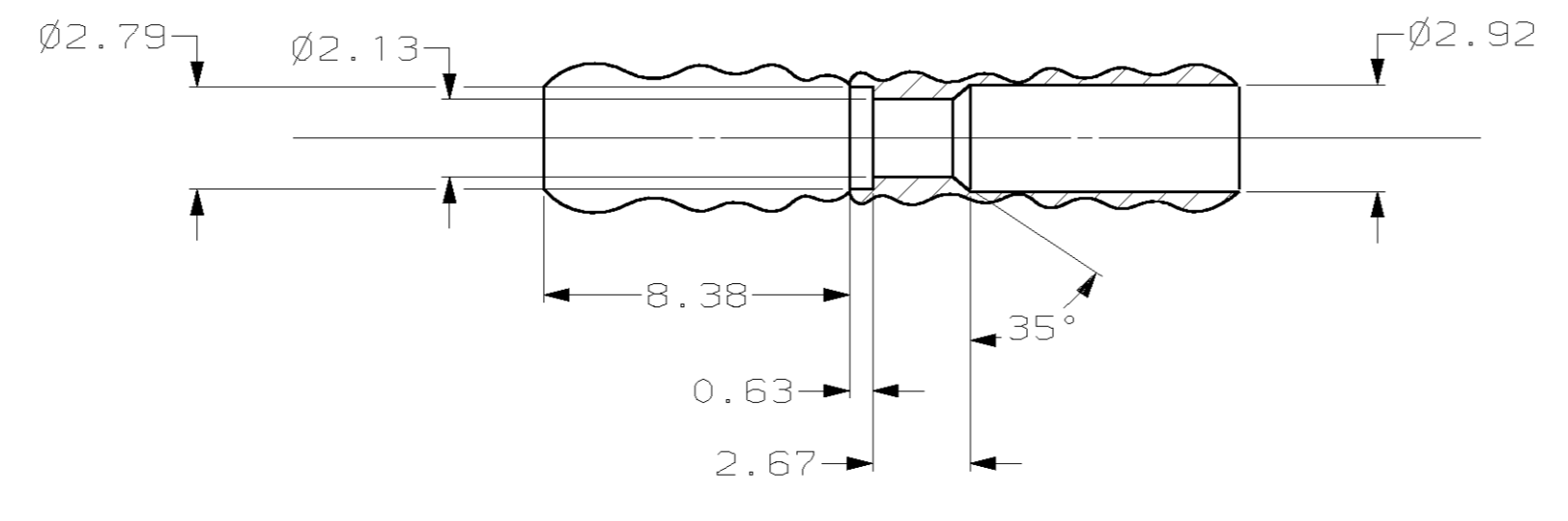
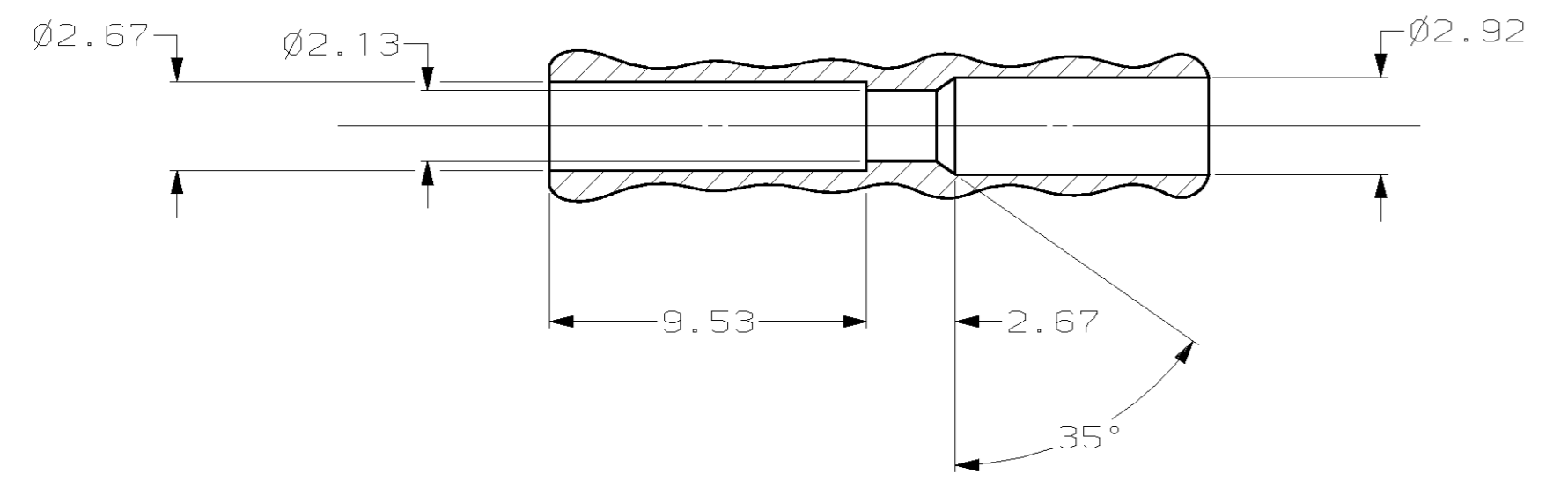


- 1. 0.0013 MIN NICKEL OVER ENTIRE RECEPTACLE WITH 0.0008 MIN GOLD INSIDE RECEPTACLE IN LOCALIZED PLATE AREA.
- 2. EITHER CAVITY WILL ACCEPT RECEPTACLE 350628,640392 OR PIN 350629,640391.



.660	16.76
.375	9.53
.330	8.38
.200	5.08
.115	2.92
.110	2.79
.105	2.67
.095	2.41
.090	2.29
.085	2.16
.084	2.13
.082	2.08
.081	2.06
.079	2.01
.076	1.93
.075	1.91
.062	1.57
.060	1.52
.055	1.40
.054	1.37
.040	1.02
.025	0.63
.008	0.20
.005	0.13
.000050	0.0013
.000030	0.0008
IN	MM
CONVERSION TABLE	



PRE-TIN FINISH	0.20 BRASS MATERIAL	1.52 MAX INSULATION DIAMETER	30-24 WIRE RANGE	794717-1 PART NO.
----------------	---------------------	------------------------------	------------------	-------------------



THIS DRAWING IS A CONTROLLED DOCUMENT.

DWN: L.A. McEACHIN 01DEC99
 DSK: G.S. RIDGILL 02DEC99
 APVD: G.S. RIDGILL 02DEC99

AMP Incorporated
 Harrisburg, PA 17105-3608

NAME: .062 SOCKET, COMMERCIAL PIN & SOCKET

PRODUCT SPEC: -
 APPLICATION SPEC: -
 SIZE: A1
 CAGE CODE: 00779
 DRAWING NO: 794717

MATERIAL: SEE TABLE
 FINISH: SEE TABLE

WEIGHT: -

CUSTOMER DRAWING

SCALE: 5:1
 SHEET: 1 OF 1
 REV: 0