

LOC	DIST	REVISIONS					
A	66	P	LTR	DESCRIPTION	DATE	DWN	APVD
			A1	SEE PRODUCT DRAWING	-	-	-


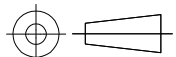
SEE PRODUCTION DRAWING
1385815

THIS DRAWING IS UNPUBLISHED.

ALL INTERNATIONAL RIGHTS RESERVED.

BY TYCO ELECTRONICS CORPORATION.

© COPYRIGHT

DIMENSIONS: INCHES	DWN	M.YOUNGER	22OCT2010	MATERIAL	-	FINISH	-		
	CHK	-	-	 Tyco Electronics Corporation Harrisburg, PA 17105-3608					
TOLERANCES UNLESS OTHERWISE SPECIFIED:	APVD	-	-					NAME	
	PRODUCT SPEC	-	-	SIDE FEED HDM APPLICATOR					
	APPLICATION SPEC	-	-	SIZE	CAGE CODE	DRAWING NO	RESTRICTED TO		
0 PLC ± - 1 PLC ± - 2 PLC ± - 3 PLC ± - 4 PLC ± - ANGLES ± -	WEIGHT	-	-	A4	00779	C-1385815	-		
				CUSTOMER DRAWING			SCALE 1:1	SHEET 1 OF 1	REV A1