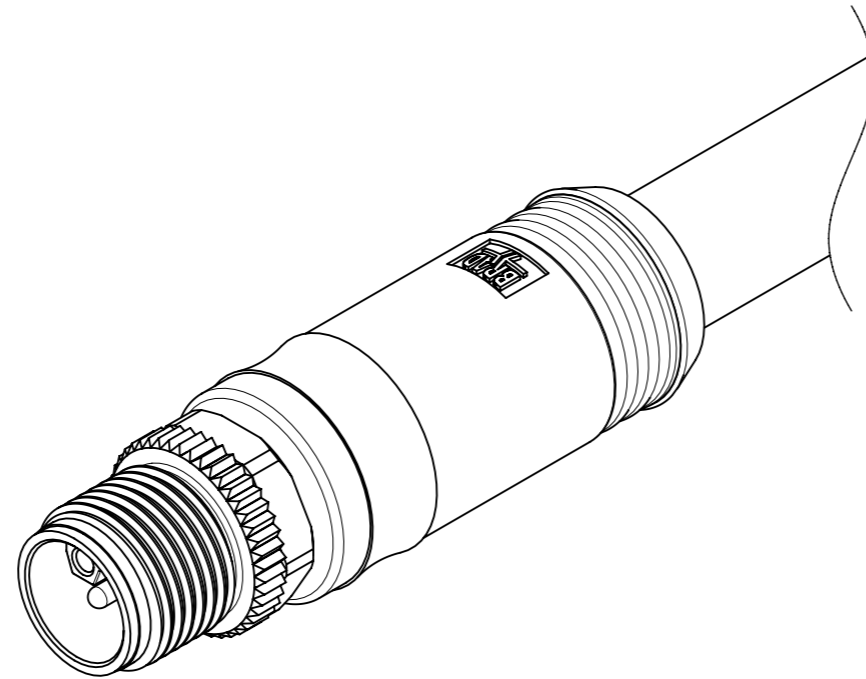
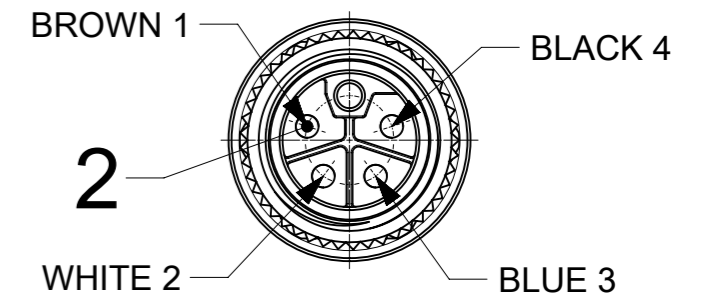


MATING SIDE



NOTES:

RATED VOLTAGE: MAX. 63V AC/DC
 RATED CURRENT: MAX. 16A at 40°C (derating has to be considered)
 IP RATING: IP67 (mated and locked condition)
 TEMPERATURE RANGE: -25°C TO +85°C

CABLE PRINTING (sequence as shown below):

- MOLEX engineering no. (see page 2)
- MOLEX material no. (see page 2)
- MOLEX MAX. 63V AC/DC MAX. 16 A USR
- MOLEX AND DATE OF MANUFACTURING (YY=YEAR; WW=WEEK): MXYWW
- Not for current interrupting
- PROFINET 24V Power 4x2,5

PART ACCORDING PRODUCT SPEC: 1205010169

PACKAGING ACCORDING PACKAGING SPEC: 1201202000

TABLE 1

POS	DESCRIPTION	MATERIAL	FINISH
1	NUT M12 MA	BRASS	Ni
2	CONTACT 15 MA	BRASS	Au
3	INSERT	PA	BLACK
4	OVERMOLD	TPE	BLACK
5	CABLE 4x2.5 D10.1 WSOR	PUR	BLACK
OPTIONAL 6	ID CARRIER	-	-

FUNCTIONAL SYMBOLS $\nabla_A = 0$ $\nabla_E = 0$ $\nabla_F = 0$	THIS DRAWING CONTAINS INFORMATION THAT IS PROPRIETARY TO MOLEX ELECTRONIC TECHNOLOGIES, LLC AND SHOULD NOT BE USED WITHOUT WRITTEN PERMISSION					
	FUNCTIONAL DIMENSION UNITS	SCALE				
	mm	2:1	EC NO: 735577		2023/01/12	
	GENERAL TOLERANCES (UNLESS SPECIFIED)		DRWN: NIKHIS3		2023/01/19	
ANGULAR TOL ± 1.0°		CHK'D: RSILLER		2023/01/19		
4 PLACES ±		APPR: RSILLER		2023/01/19		
3 PLACES ±		INITIAL REVISION:		DOCUMENT NUMBER		
2 PLACES ± 0.05		DRWN: FDAFERNER		1205000242		
1 PLACE ± 0.3		APPR: RSILLER		PSD 000 A1		
0 PLACES ± 0.5		THIRD ANGLE PROJECTION		MATERIAL NUMBER		
DRAFT WHERE APPLICABLE MUST REMAIN WITHIN DIMENSIONS		DRAWING		CUSTOMER		
		A3-SIZE		GENERAL MARKET		
		SERIES		SHEET NUMBER		
		120500		1 OF 2		

ENGINEERING NO - NUMERICAL CODE (Available parts see PART LIST table. Other parts available upon request).

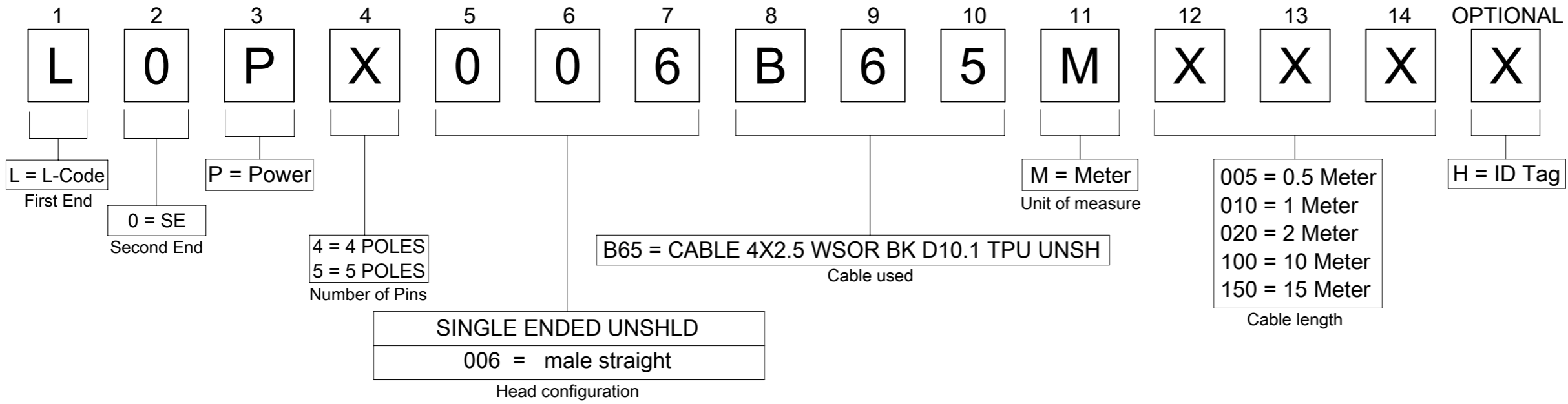


TABLE 2

NOMINAL SECTION 2,5mm ²			
MATERIAL NO.	ENGINEERING NO.	L [mm]	TOLERANCE [mm]
1205000242	L0P4006B65M010	1000	+40
1205000243	L0P4006B65M020	2000	+60
1205000244	L0P4006B65M030	3000	+60
1205000245	L0P4006B65M050	5000	+60
1205000246	L0P4006B65M100	10000	+80
1205000247	L0P4006B65M150	15000	+140
1205000248	L0P4006B65M200	20000	+140

FUNCTIONAL SYMBOLS	THIS DRAWING CONTAINS INFORMATION THAT IS PROPRIETARY TO MOLEX ELECTRONIC TECHNOLOGIES, LLC AND SHOULD NOT BE USED WITHOUT WRITTEN PERMISSION									
	DIMENSION UNITS	SCALE				CURRENT REV DESC: UPDATED ATTRIBUTE TO GENERAL MARKET IN ECTR				
$\nabla_A = 0$	mm	1:1	EC NO: 735577 DRWN: NIKHIS3 CHK'D: RSILLER APPR: RSILLER							
$\nabla_E = 0$	GENERAL TOLERANCES (UNLESS SPECIFIED)					2023/01/12				
$\nabla_Z = 0$	ANGULAR TOL $\pm 1.0^\circ$		2023/01/19							
DIVISIONAL SYMBOLS	4 PLACES	\pm	2023/01/19							
	3 PLACES	\pm	PRODUCT CUSTOMER DRAWING							
	2 PLACES	± 0.05	INITIAL REVISION:							
	1 PLACE	± 0.3	DRWN: FDAFERNER							
0 PLACES	± 0.5	APPR: RSILLER								
DRAFT WHERE APPLICABLE MUST REMAIN WITHIN DIMENSIONS		THIRD ANGLE PROJECTION	DRAWING	SERIES	MATERIAL NUMBER	CUSTOMER	DOCUMENT NUMBER	DOC TYPE	DOC PART	REVISION
			A3-SIZE	120500	SEE TABLE 2	GENERAL MARKET	1205000242	PSD	000	A1
										SHEET NUMBER
										2 OF 2