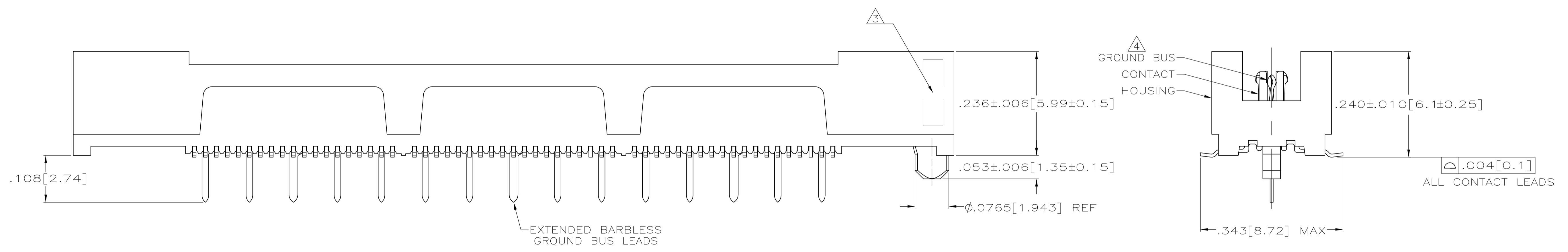


- $\triangle 1$  HOUSING: LIQUID CRYSTAL POLYMER, COLOR BLACK.  
 CONTACTS: HIGH RELIABILITY COPPER ALLOY.  
 GROUND BUSES: PHOSPHOR BRONZE ALLOY, UNS C51100.
- $\triangle 2$  CONTACTS & GROUND BUSES: NICKEL UNDERPLATE ALL OVER,  
 MATING SURFACE PLATED TO MEET LEVEL 2 PERFORMANCE  
 REQUIREMENTS OF TE PRODUCT SPECIFICATION 108-1422, SOLDER  
 TAILS PLATED MATTE TIN.
- $\triangle 3$  DATE CODE MARKED IN AREA INDICATED ON SIDE OPPOSITE  
 POSITION #1.
- $\triangle 4$  ONE GROUND BUS WITH 5 TAILS PER EACH MODULE.
- $\triangle 5$  TOLERANCE NON-ACCUMULATIVE.
- $\triangle 6$  FOR STANDARD APPLICATIONS, ORIENTATION HOLE TO BE  
 $\phi .094 \pm .002 [2.39 \pm 0.05]$ .  
 FOR SLIP-FIT APPLICATIONS, ORIENTATION HOLE TO BE  
 $\phi .079 \pm .001 [2.00 \pm 0.03]$ .
- $\triangle 7$  CONNECTORS PACKAGED ON 13 INCH DIA REELS PER EIA 481.
- $\triangle 8$  NOT RELEASED FOR PRODUCTION.



SEE SHEET 2 FOR RECOMMENDED PC BOARD LAYOUT  
 AND PACKAGING DETAIL

$\triangle 8$	NO	4.724 [120]	3.000 [76.2]	6	3.450 [87.63]	3.900 [99.06]	4.000 [101.6]	266	1-5767115-4
$\triangle 8$	NO	4.094 [104]	2.500 [63.5]	5	2.950 [74.93]	3.400 [86.36]	3.500 [88.9]	228	1-5767115-3
	NO	3.465 [88]	2.000 [50.8]	4	2.450 [62.23]	2.900 [73.66]	3.000 [76.2]	190	1-5767115-2
	NO	3.465 [88]	1.500 [38.1]	3	1.950 [49.53]	2.400 [60.96]	2.500 [63.5]	152	1-5767115-1
	NO	2.835 [72]	1.000 [25.4]	2	1.450 [36.83]	1.900 [48.26]	2.000 [50.8]	114	1-5767115-0
	NO	2.205 [56]	.500 [12.7]	1	.950 [24.13]	1.400 [35.56]	1.500 [38.1]	76	5767115-9
	NO	1.732 [44]	.000 [0]	0	.450 [11.43]	.900 [22.86]	1.000 [25.4]	38	5767115-8
$\triangle 8$	YES	4.724 [120]	3.000 [76.2]	6	3.450 [87.63]	3.900 [99.06]	4.000 [101.6]	266	5767115-7
$\triangle 8$	YES	4.094 [104]	2.500 [63.5]	5	2.950 [74.93]	3.400 [86.36]	3.500 [88.9]	228	5767115-6
	YES	3.465 [88]	2.000 [50.8]	4	2.450 [62.23]	2.900 [73.66]	3.000 [76.2]	190	5767115-5
	YES	3.465 [88]	1.500 [38.1]	3	1.950 [49.53]	2.400 [60.96]	2.500 [63.5]	152	5767115-4
	YES	2.835 [72]	1.000 [25.4]	2	1.450 [36.83]	1.900 [48.26]	2.000 [50.8]	114	5767115-3
	YES	2.205 [56]	.500 [12.7]	1	.950 [24.13]	1.400 [35.56]	1.500 [38.1]	76	5767115-2
	YES	1.732 [44]	.000 [0]	0	.450 [11.43]	.900 [22.86]	1.000 [25.4]	38	5767115-1
	VACUUM COVER INCLUDED	F	E	D	C	B	A	NO OF POS	PART NUMBER

THIS DRAWING IS A CONTROLLED DOCUMENT.

DIMENSIONS: INCHES

TOLERANCES UNLESS OTHERWISE SPECIFIED:

0 PLC	± .005
1 PLC	± .005
2 PLC	± .005
3 PLC	± .005
4 PLC	± .005
ANGLES	± .005

MATERIAL:  $\triangle 1$

FINISH:  $\triangle 2$

APPROVED: G. ATTADIA, 27 OCT 04

CHK: D. DIXON, 27 OCT 04

APPROVED: D. DIXON, 27 OCT 04

NAME: Tyco Electronics Corporation, Harrisburg, PA 17105-3608

PRODUCT SPEC: RECEPTACLE ASSEMBLY, VERTICAL, .025[0.64]CL, GULL WING LEADS, POCKET TAPE PACKAGED, MICTOR

APPLICATION SPEC: 108-1422

SIZE: 114-11004

WEIGHT: A1

CAGE CODE: 00779

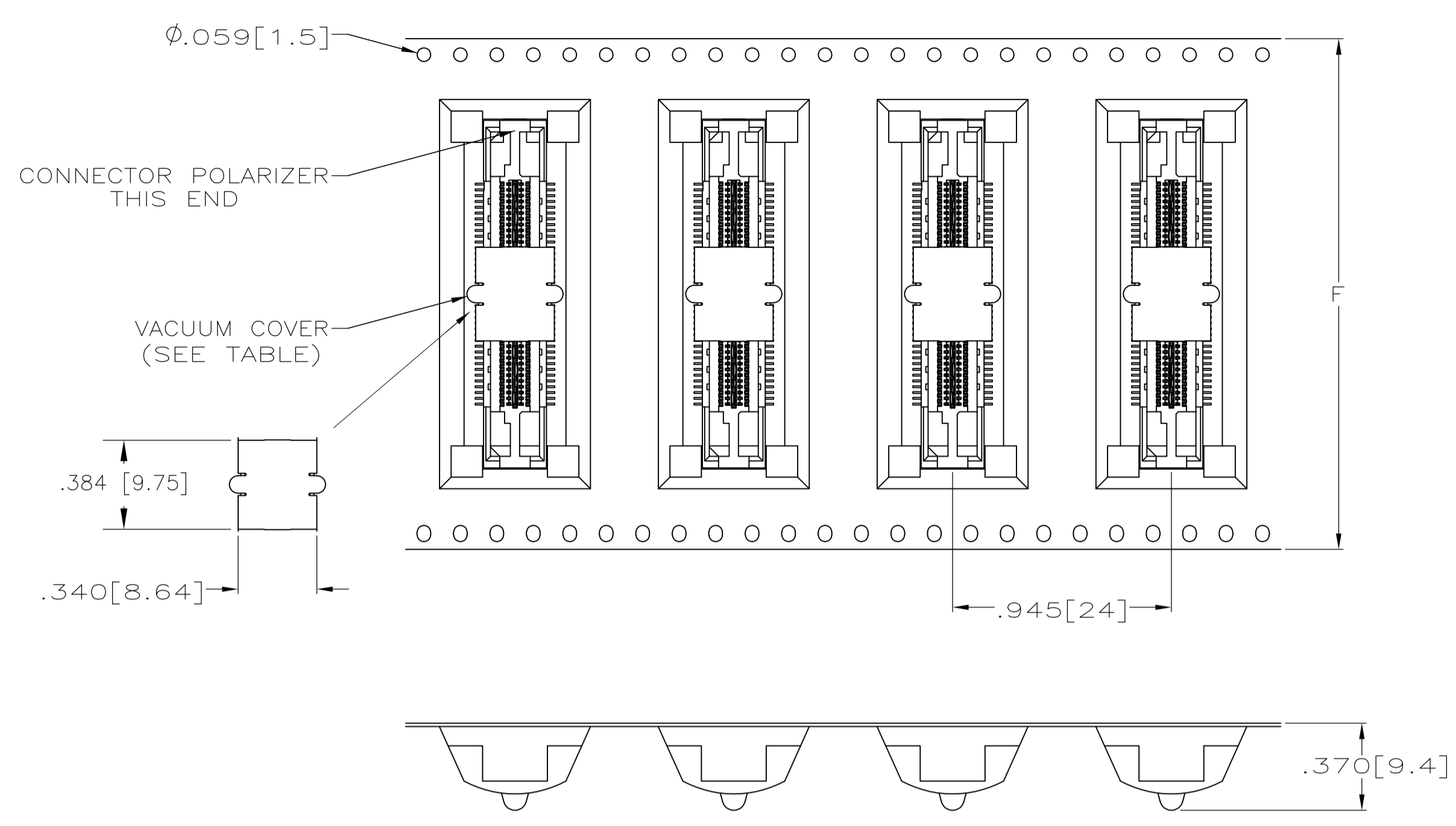
DRAWING NO: 5767115

CUSTOMER DRAWING

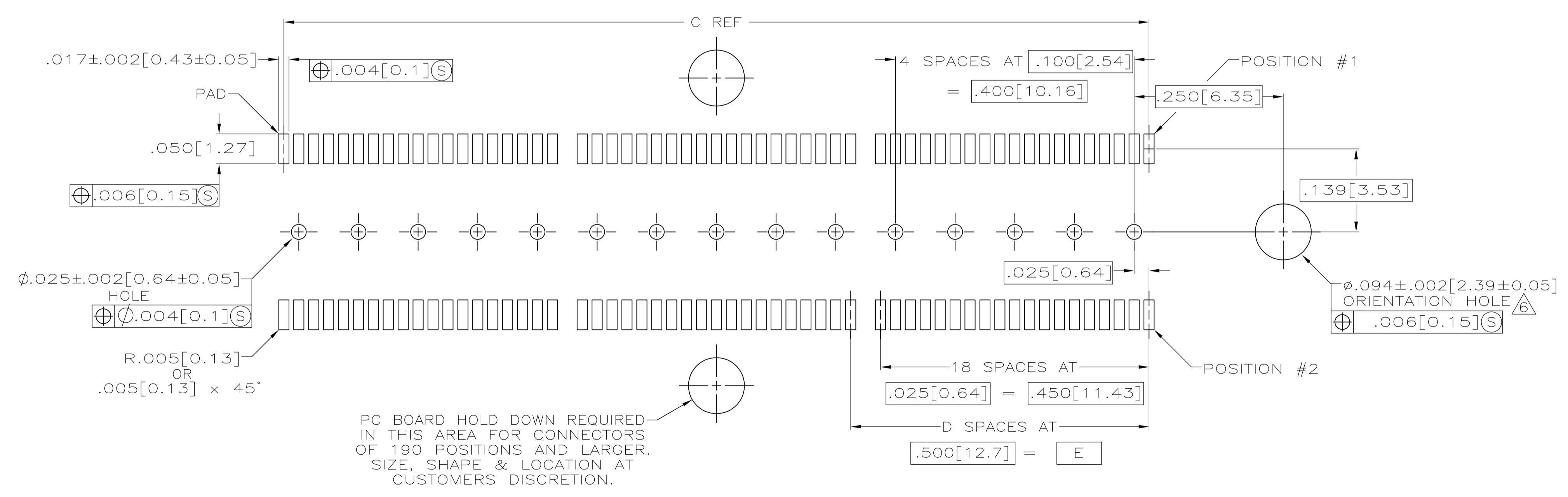
SCALE: 8:1

SHEET: 1 OF 2

REV: B1



PACKAGING DETAIL  $\Delta$   
 SCALE 2:1  
 DIMENSIONS ARE FOR REFERENCE



PC BOARD HOLD DOWN REQUIRED  
 IN THIS AREA FOR CONNECTORS  
 OF 190 POSITIONS AND LARGER.  
 SIZE, SHAPE & LOCATION AT  
 CUSTOMERS DISCRETION.

RECOMMENDED PC BOARD LAYOUT  
 (VIEWED FROM CONNECTOR SIDE)

THIS DRAWING IS A CONTROLLED DOCUMENT.		DN G. ATTADIA 27 OCT 04	Tyco Electronics	Tyco Electronics Corporation Harrisburg, PA 17105-3608	
DIMENSIONS: INCHES		CHK D. DIXON 27 OCT 04		NAME	RECEPTACLE ASSEMBLY, VERTICAL, .025[0.64] CL, GULL WING LEADS, POCKET TAPE PACKAGED, MICTOR
TOLERANCES UNLESS OTHERWISE SPECIFIED:		APVD D. DIXON 27 OCT 04	PRODUCT SPEC		
0. PLC ± -		APPLICATION SPEC	SIZE	CAGE CODE	DRAWING NO.
1. PLC ± -		WEIGHT	A1	00779	5767115
2. PLC ± -		CUSTOMER DRAWING	SCALE	8:1	SHEET 2 OF 2
3. PLC ± .005(0.13)			REV	B1	
4. PLC ± -					
ANGLES ± -					
MATERIAL					
FINISH					