

# Type LPX-01

## In-Line Fuse Holder

### Maxi Automotive Blade Fuses

### Splashproof Cap



www.optifuse.com

(619) 593-5050

#### Ratings:

**Fuse Type:** Maxi Automotive Blade - APX

**Electrical Rating:**

Rated for current up to 100A for #6 wire

Rated for current up to 80A for #8 wire

**Voltage:** 32V DC

**Body:** PVC

**Contacts:** Brass

**Cap:** Splashproof Cap

**IP Rating:** IP65

**Standard Wire Sizes:** #6 ~ #8AWG

**Standard Wire Colors:** Black and Red

**Standard Body colors:** Black

**Standard Wire Length:** 6 inches

#### Part number format

**LPX-01B-##Z**

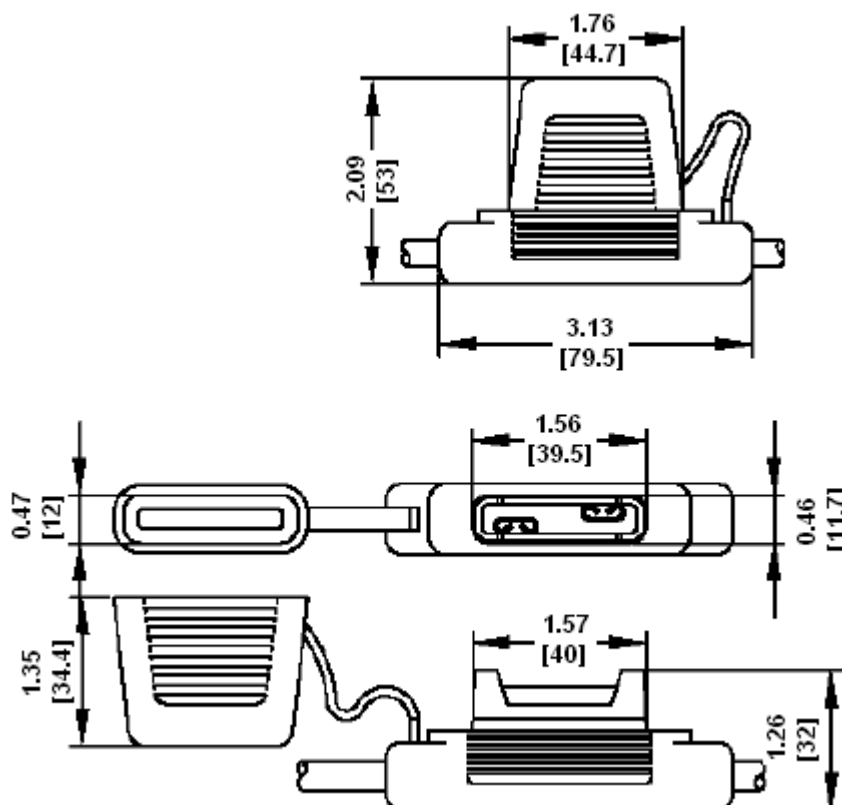
where ## = Wire gauge

Z = Wire color

Available in various wire gauges and lengths, and body and wire colors.

Contact factory for those not listed above.

**Mechanical Dimensions: Inches [mm]**



#### Warning:



- Operation beyond the specified maximum ratings or improper use may result in damage and possible electrical arcing and/or flame.
- Avoid contact of device with chemical solvent. Prolonged contact may damage the device performance.
- Not designed for prolonged liquid exposure or submersible applications.

Note: All specifications subject to change without notice.

Rev B 07/2018 - Page: 1/1  
Code Y01-01H