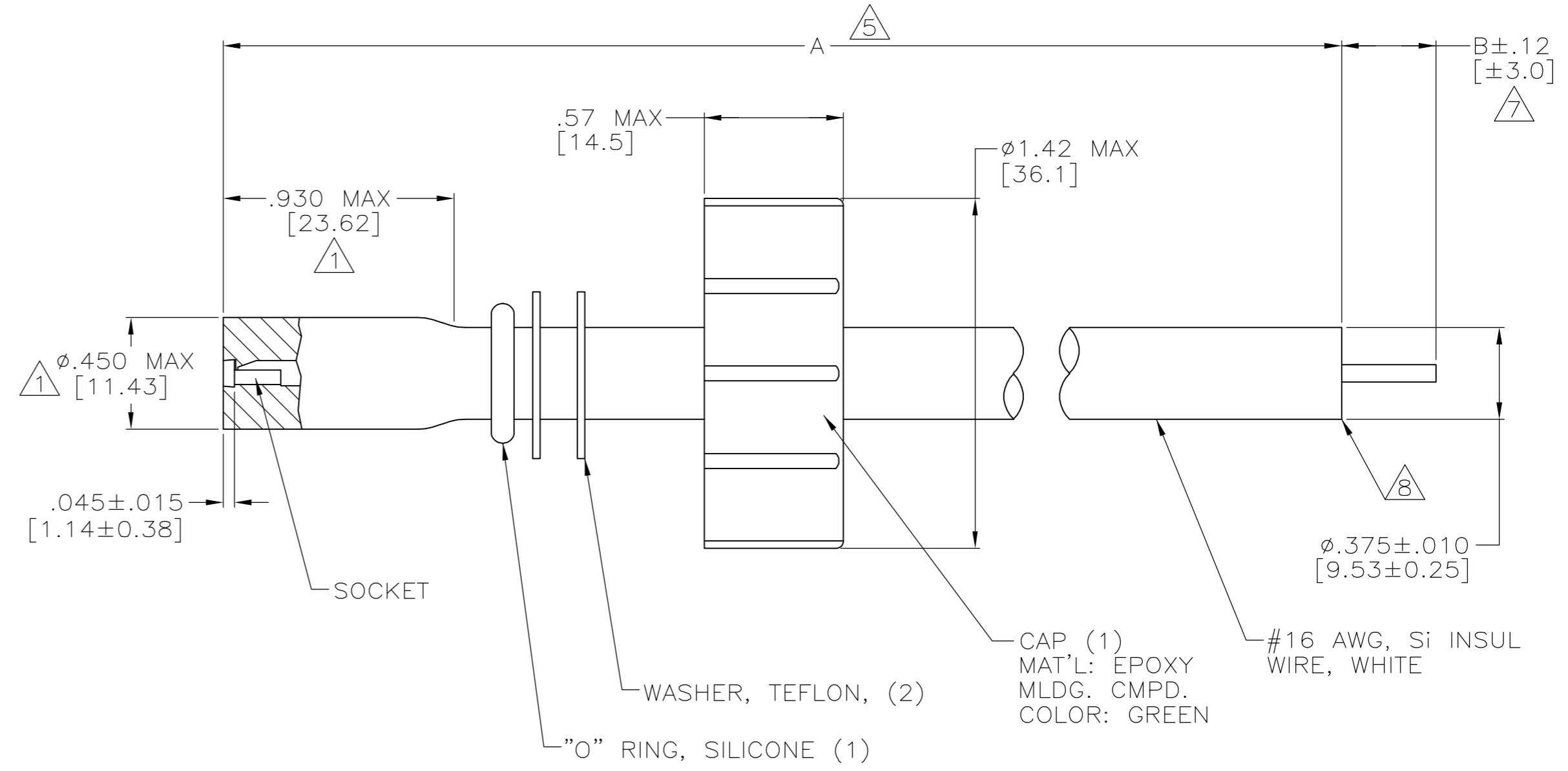


THIS DRAWING IS UNPUBLISHED. RELEASED FOR PUBLICATION - N/A .
 © COPYRIGHT N/A BY TYCO ELECTRONICS CORPORATION. ALL RIGHTS RESERVED.

| LOC | DIST | REVISIONS | | | | | |
|-----|------|-----------|-----|-----------------------|-------|-----|------|
| DF | SO | P | LTR | DESCRIPTION | DATE | DWN | APVD |
| | | P | | REV PER ECO-05-002357 | 08-05 | AA | DE |

| PART NO. | A | B | REMARKS |
|------------|------------------|-----------|------------|
| 836566-1 | 6.00 [152.4] | .38 [9.7] | △ OBSOLETE |
| 836566-2 | 12.00 [304.8] | .38 [9.7] | △ OBSOLETE |
| 836566-3 | 18.00 [457.2] | .38 [9.7] | △ OBSOLETE |
| 836566-4 | 24.00 [609.6] | .38 [9.7] | △ OBSOLETE |
| 836566-5 | 36.00 [914.4] | .38 [9.7] | △ OBSOLETE |
| 836566-6 | 60.00 [1524.0] | .38 [9.7] | △ OBSOLETE |
| 836566-7 | 15.00 [381.0] | .38 [9.7] | △ |
| 836566-8 | 17.00 [431.8] | .38 [9.7] | △ |
| 836566-9 | 32.00 [812.8] | .38 [9.7] | △ OBSOLETE |
| 1-836566-0 | 20.00 [508.0] | .38 [9.7] | △ OBSOLETE |
| 1-836566-1 | 144.00 [3657.6] | .38 [9.7] | △ OBSOLETE |
| 1-836566-2 | 6.00 [152.4] | - | △ OBSOLETE |
| 1-836566-3 | 72.00 [1828.8] | .38 [9.7] | △ OBSOLETE |
| 1-836566-4 | 96.00 [2438.4] | .38 [9.7] | △ OBSOLETE |
| 1-836566-5 | 120.00 [3048.0] | .38 [9.7] | △ OBSOLETE |
| 1-836566-6 | 48.00 [1219.2] | .38 [9.7] | △ OBSOLETE |
| 1-836566-7 | 50.00 [1270.0] | .38 [9.7] | △ OBSOLETE |
| 1-836566-8 | 3.00 [76.2] | .38 [9.7] | △ OBSOLETE |
| 1-836566-9 | 25.00 [635.0] | .38 [9.7] | △ |
| 2-836566-0 | 11.00 [279.4] | .38 [9.7] | △ OBSOLETE |
| 2-836566-1 | 4.00 [101.6] | .38 [9.7] | △ OBSOLETE |
| 2-836566-2 | 16.00 [406.4] | .38 [9.7] | △ OBSOLETE |
| 2-836566-3 | 36.00 [914.4] | .38 [9.7] | △ OBSOLETE |
| 2-836566-4 | 40.00 [1016.0] | .38 [9.7] | △ |
| 2-836566-5 | 80.00 [2032.0] | .38 [9.7] | △ OBSOLETE |
| 2-836566-6 | 78.75 [2000.2] | .38 [9.7] | △ OBSOLETE |
| 2-836566-7 | 39.38 [1000.3] | .38 [9.7] | △ OBSOLETE |
| 2-836566-8 | 98.50 [2501.9] | .38 [9.7] | △ OBSOLETE |
| 2-836566-9 | 5.00 [127.0] | .38 [9.7] | △ OBSOLETE |
| 3-836566-0 | 15.75 [400.0] | - | △ OBSOLETE |
| 3-836566-1 | 30.00 [762.0] | .25 [6.3] | △ |
| 3-836566-2 | 600.00 [15240.0] | .38 [9.7] | △ OBSOLETE |
| 3-836566-3 | 180.00 [4572.0] | - | △ OBSOLETE |
| 3-836566-4 | 200.00 [5080.0] | .38 [9.7] | △ OBSOLETE |
| 3-836566-5 | 118.00 [2997.2] | .38 [9.7] | △ OBSOLETE |
| 3-836566-6 | 26.00 [660.4] | .38 [9.7] | △ OBSOLETE |
| 3-836566-7 | 41.00 [1041.4] | .38 [9.7] | △ |
| 3-836566-8 | 59.12 [1501.6] | - | △ OBSOLETE |
| 6-836566-9 | 25.00 [635.0] | .38 [9.7] | △ |
| 8-836566-7 | 41.00 [1041.4] | .38 [9.7] | △ |

- △1 .450 MAX DIMENSION HELD OVER THE .930 MAX AREA ONLY.
- 2. MARKED PER MIL-STD-130.
- 3. DIMENSIONS IN BRACKETS ARE IN MILLIMETERS. METRIC EQUIVALENTS ARE BASED UPON 1.00 INCH = 25.4 mm.
- 4. LEADS WILL MATE WITH AMP LGH-4 RECEPTACLES.
- △5 TOLERANCE OF LEAD LENGTH:
UP TO 24 INCHES [609.6] = ±.12 [±3.0]
24 INCHES [609.6] & UP = 1%
- 6. OPERATING VOLTAGE: 50 KVDC AT 0 TO 70,000 FEET, -55°C TO 125°C.
- △7 WHERE APPLICABLE "B" LENGTH IS SOLDER DIPPED.
- △8 INSULATION CUT, BUT NOT REMOVED.



| | | | | | | | |
|---|--|------------------|-------------------------------|---|-----------|------------|---------------|
| THIS DRAWING IS A CONTROLLED DOCUMENT. | | DWN | 26-SEP-89 | Tyco Electronics Corporation Harrisburg, Pa 17105-3608 | | | |
| DIMENSIONS: INCHES [mm] | | CHK | 26-SEP-89 | | | | |
| TOLERANCES UNLESS OTHERWISE SPECIFIED: | | APVD | 26-SEP-89 | | | | |
| 0 PLC ± - 1 PLC ± - 2 PLC ± - 3 PLC ± - 4 PLC ± - ANGLES ± - FINISH - | | NAME | LEAD ASSY SGL END LGH-4 | | | | |
| MATERIAL SEE CALLOUTS | | PRODUCT SPEC | | SIZE | CAGE CODE | DRAWING NO | RESTRICTED TO |
| | | APPLICATION SPEC | | A2 | 00779 | C=836566 | - |
| | | WEIGHT | - | SCALE | 2:1 | SHEET | 1 OF 1 |
| | | CUSTOMER DRAWING | | REV | P | | |