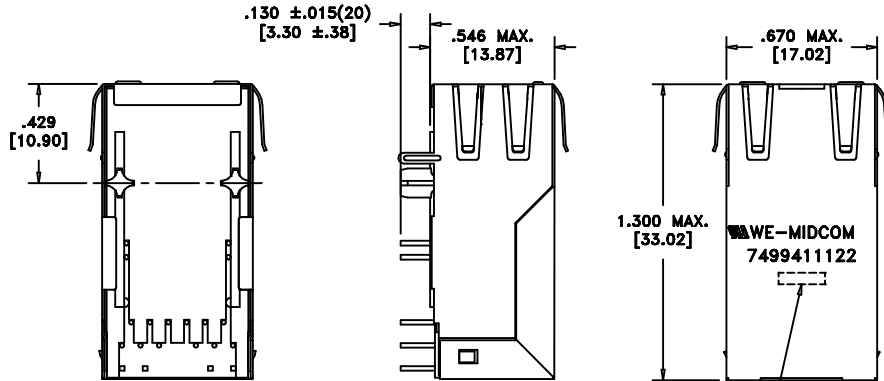
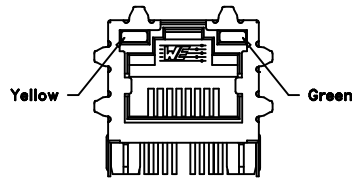
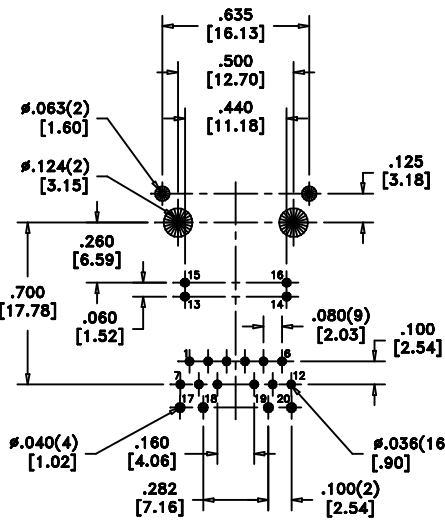
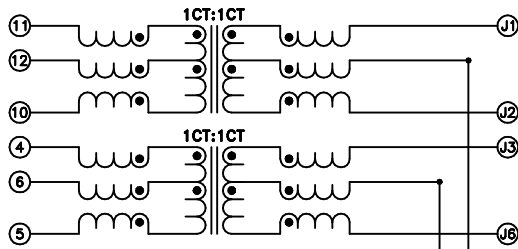


CUSTOMER TERMINAL	RoHS	LEAD(Pb)-FREE
Sn100%	Yes	Yes

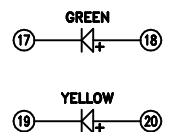
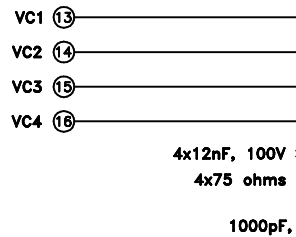


WE-MIDCOM  
7499411122

LOT CODE & DATE CODE



RECOMMENDED  
P.C. PATTERN, COMPONENT SIDE



**ELECTRICAL SPECIFICATIONS @ 25°C unless otherwise noted:**

PARAMETER	TEST CONDITIONS	VALUE
INDUCTANCE	J1-J2	100kHz, 100mVAC, 18mADC, Lp
		350uH min.
INDUCTANCE	J3-J6	100kHz, 100mVAC, 18mADC, Lp
		350uH min.
DIELECTRIC	PRI-SEC	-
		1500Vrms/2250VDC, 1 minute
TURNS RATIO		Per schematic
		-
INSERTION LOSS	1M - 100MHz	-1.0dB max.
RETURN LOSS	1M - 30MHz	-18dB min.
RETURN LOSS	30M - 45MHz	-16dB min.
RETURN LOSS	45M - 60MHz	-14dB min.
RETURN LOSS	60M - 80MHz	-12dB min.
CROSSTALK	1M - 100MHz	-30dB typ.
COMMON MODE REJECTION	1M - 100MHz	-35dB min.
COMMON MODE REJECTION	100M - 500MHz	-25dB min.

**GENERAL SPECIFICATIONS:**

OPERATING TEMPERATURE RANGE: 0°C to +70°C.

Designed to handle 600mADC and meet 802.3at.

REV.	DATE
6A	10/08

Packaging Specifications  
Method: Tray  
PKG-0573  
www.midcom-inc.com

Unless otherwise specified:  
Tolerances: Fractions: ±1/64  
Angles: ±1° Decimals: ±.010 [.25]  
This drawing is dual dimensioned. Dimensions in brackets are in millimeters.

DRAWING TITLE  
**TRANSFORMER**  
10/100 Mbs & PoE+ High Performance  
eiSos p/n: 7499411122



DRAWING NO. <b>7499411122</b>	AGENCY NUMBER UL60950-1 E205930
REVISIONS: SEE SHEET 1	SHEET 2 OF 7