

**Type PMA-DB-05-Q1R (formerly PDA-01)**  
**Panel Mount Fuse Holder**  
**1/4" x 1 1/4" (6.3 x 30mm) Fuses**  
**Driver / Bayonet**



www.optifuse.com (619) 593-5050

**Electrical Rating:** 15A, 250V AC

**Fuse Style:** 1/4" x 1 1/4" (6.3 x 32mm)

**Material:**

**Frame and Cap:** PBT (UL flame: 94V-0)

**Terminals:** Tin-plated brass

**Cap:** Slotted Driver type, Bayonet type

**Mounting:** by nut

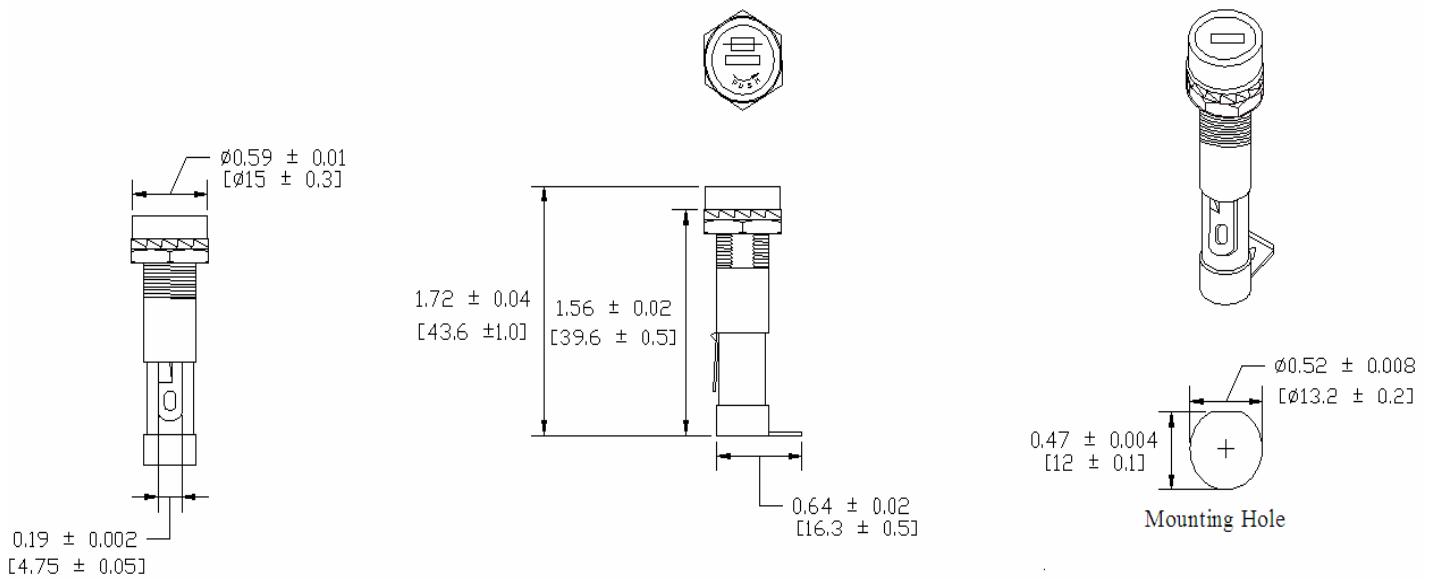
**Terminal:** Solder/Quick-Connect – 4.8mm/0.187"


**Panel Thickness:** 0.5 ~ 4.5mm

**Agency Standards and Listings:**



**Product Dimensions: Inches [mm]**



<p><b>Warning:</b></p> 	<ul style="list-style-type: none"> <li>-Operation beyond the specified maximum ratings or improper use may result in damage and possible electrical arcing and/or flame.</li> <li>-Fuse Holders are not intended for circuit disconnect. All power should be disconnected before removing fuse.</li> <li>-Avoid contact of Fuse Holder with chemical solvent. Prolonged contact may damage the device performance.</li> </ul>
--	---