

THIS COPY IS PROVIDED ON A RESTRICTED BASIS AND IS NOT TO BE USED IN ANY WAY DETRIMENTAL TO THE INTERESTS OF PANDUIT CORP.

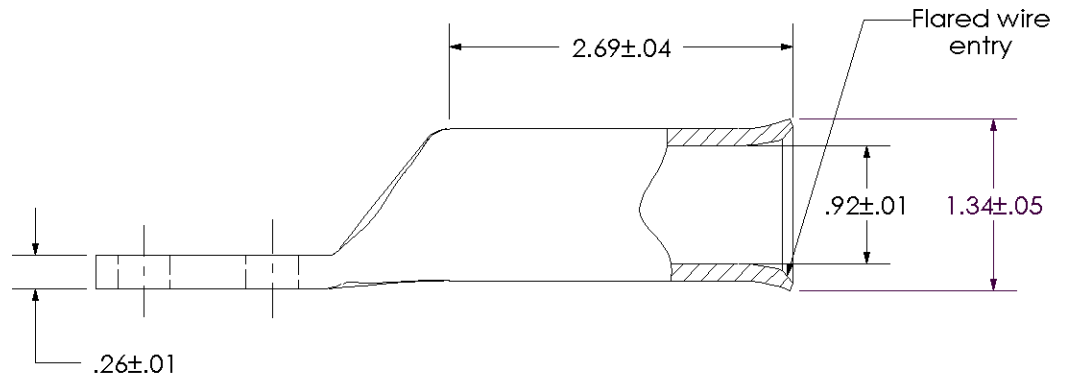
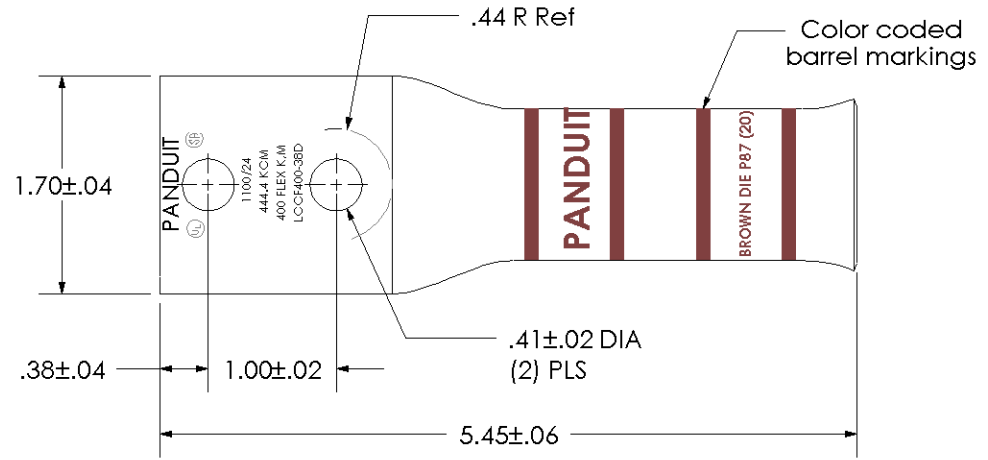
| | |
|--|--|
| Material | High Conductivity Seamless Copper Tube |
| Plating | Electro-Tin |
| Wire Size & Type | Stranded Copper Flex Cable; 444.4 kcmil (1100/24) Diesel Locomotive, 400 kcmil Class K & Class M |
| Wire Strip Length | 2-3/4 in. |
| Stud Size | 3/8 in. |
| UL Listed Wire Connector | Yes, for applications up to 35kv. Consult cable manufacturer for voltage stress relief instructions with applications greater than 2000 volts. |
| UL Temperature Rating | 90° C |
| C.S.A Certified Wire Connector | Yes |
| Panduit Color Code on Barrel | BROWN |
| Panduit Die Index No. on Barrel | P87 |
| Alternate Industry Die Index No. () on Barrel | (20) |



CERTIFIED



LISTED Wire Connector



| | | | | | |
|-----|------|-----|-----|-------------|-------|
| 00 | 9/02 | SAB | DRL | RELEASED | 10336 |
| REV | DATE | BY | CHK | DESCRIPTION | ECN |

PANDUIT CORP. TINLEY PARK, ILLINOIS

LCCF400-38D-6
Copper Lug - Two-Hole, Flared Long Barrel

SCALE N/A DRAWING NO / CAD FILE LCCF400-38D-CUST