



Aluminum Alloy Metal Case for Raspberry Pi B+/2B/3B

SKU: FIT0460 Brand: Other



INTRODUCTION

This credit card-sized case is designed specifically for protecting Raspberry Pi B+/2B/3B. It is made by aluminum alloy and has a durable side panel. The GPIOs is available when opening the panel. This case reserves two wall-mounting holes, a Micro SD card slot and some consumer ports.

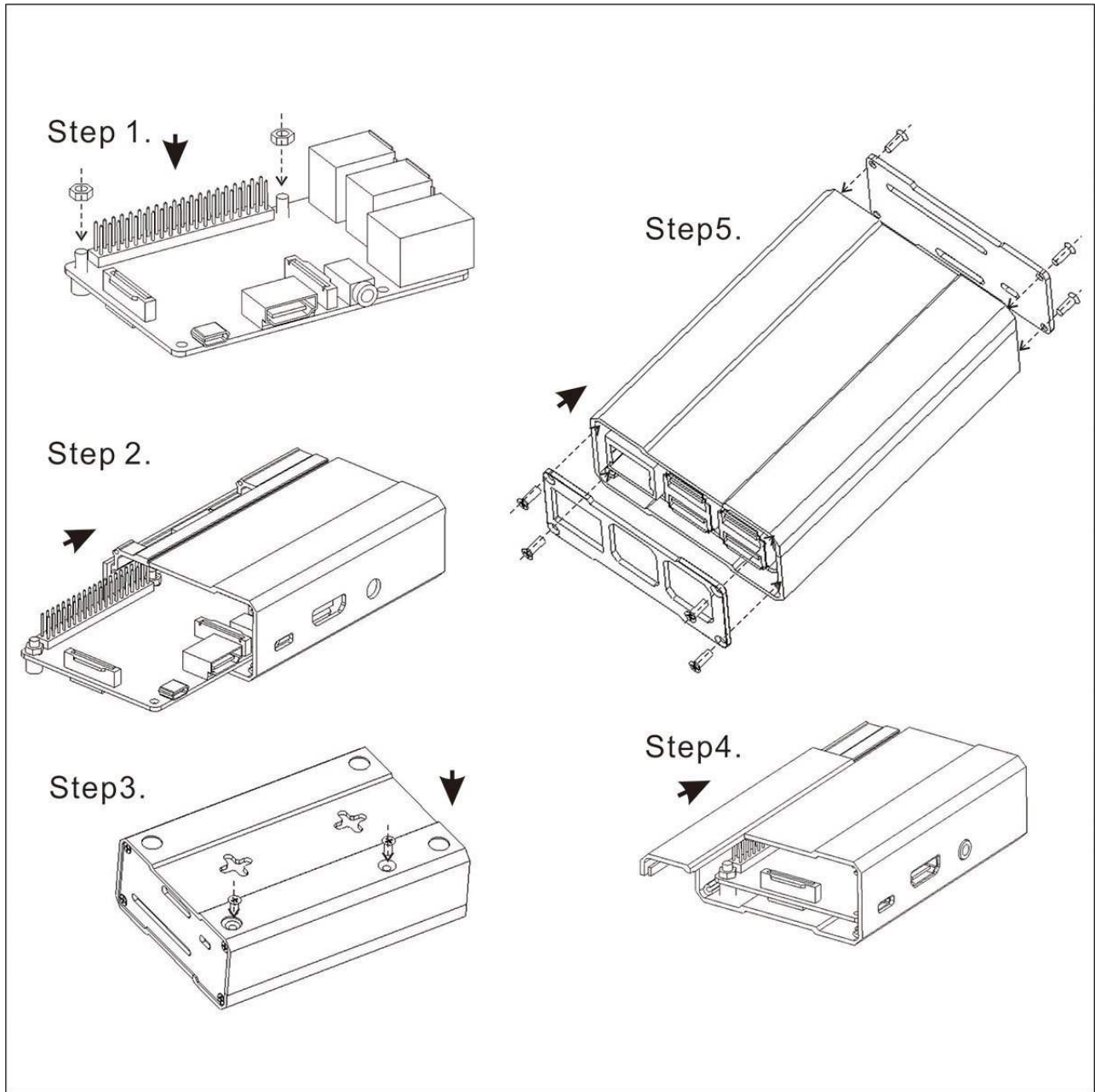
It is compatible with [Raspberry Pi 3 model B](#), [Raspberry Pi 2 model B](#) and [Raspberry Pi B+](#)

SPECIFICATION

- Dimension: 12.5cm x 8.7cm x 4.8cm (4.92"x 3.42"x 1.89")
- Weight: 120g

DOCUMENTS

- Assemble guide



SHIPPING LIST

- Aluminum Alloy Metal Case for Raspberry Pi Model B and Raspberry Pi B+ x1