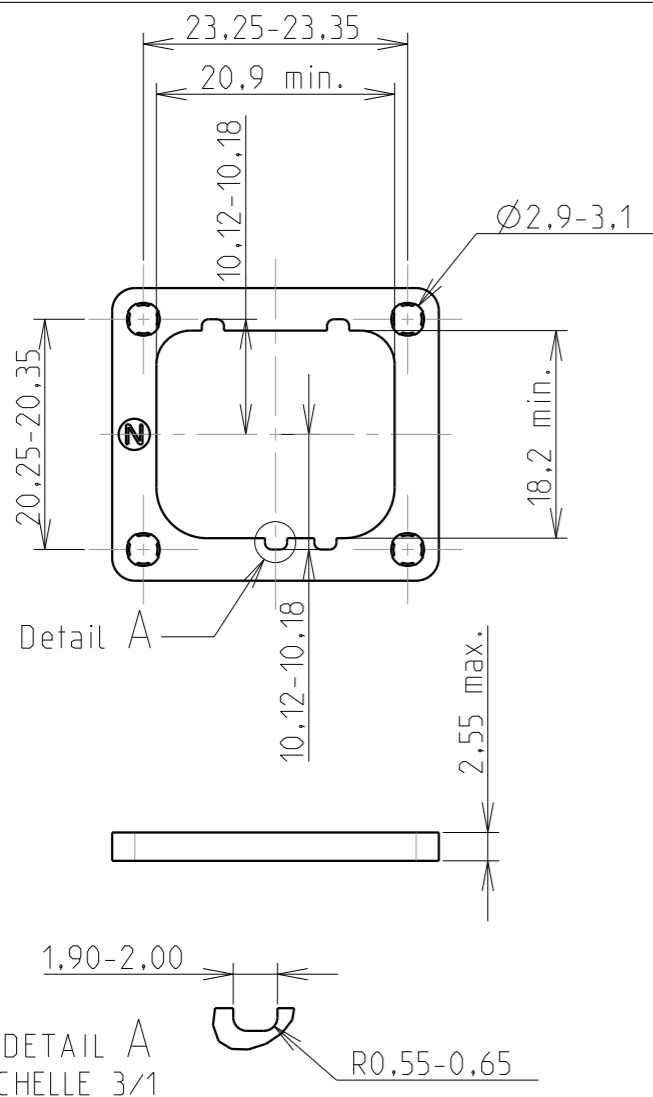
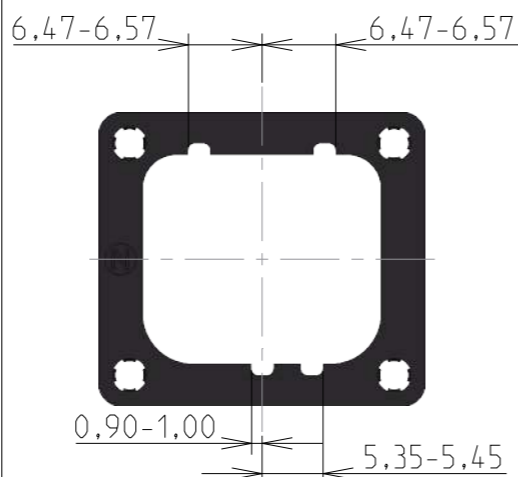


# COLOUR CODING PLATE

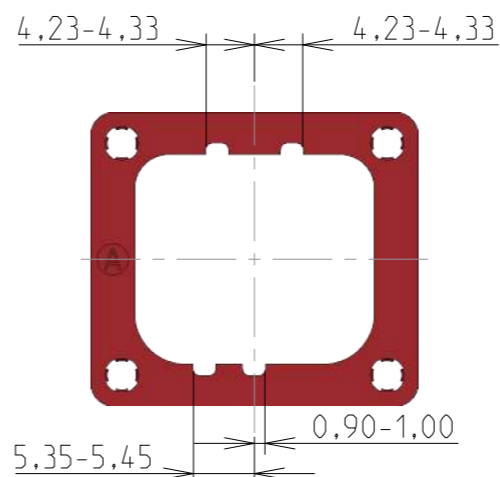
## General dimensions



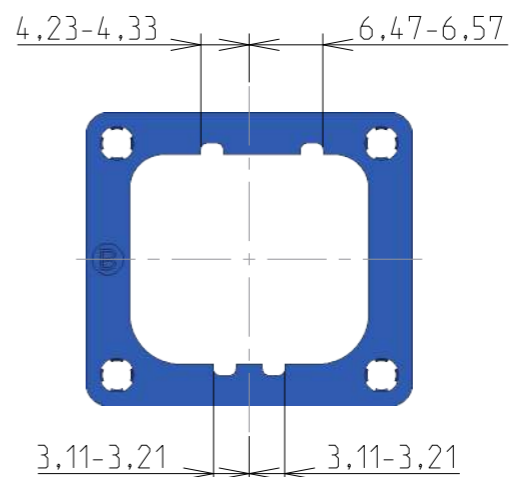
## Polarization N (Black)



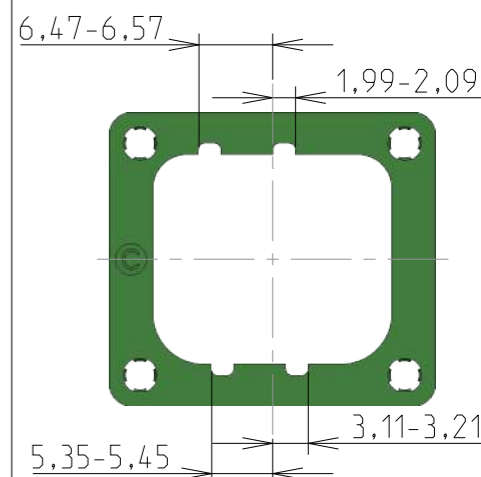
## Polarization A (Red)



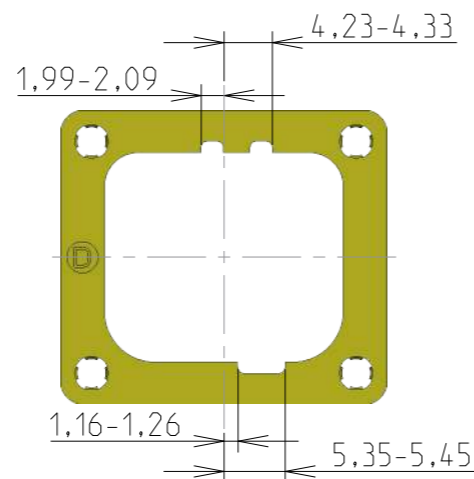
## Polarization B (Blue)



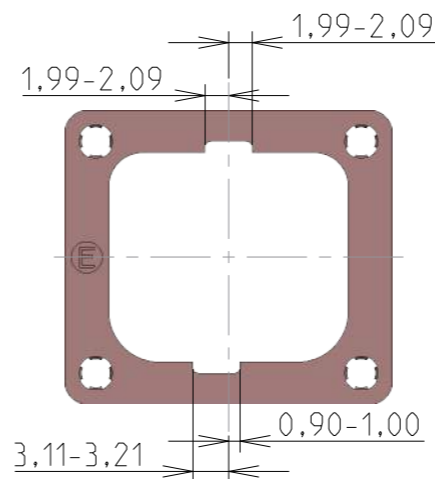
## Polarization C (Green)



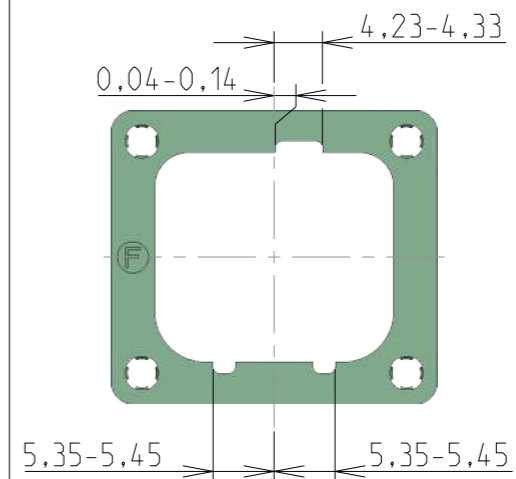
## Polarization D (Yellow)



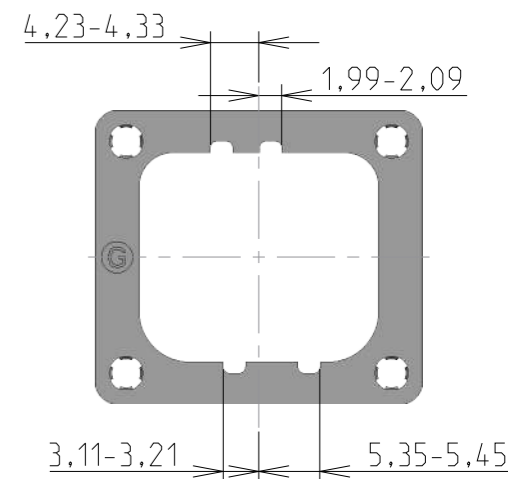
## Polarization E (Pink)



## Polarization F (Clear green)



## Polarization G (Clear grey)



## Technical Characteristics

### Material & finishes

Material : Composite

### Climatic

Operating temperature range : -55°C to +175°C  
Salt spray (corrosion) : 500 hrs

### Mechanical

Compliant EN4165 - BACC65 - ARINC 809  
Adapted to short and extended receptacles

### Environmental

RoHS and REACH compliant  
Fluid resistance : See standard  
EN 4165-001 (table 40)

MASS 1.2 g max.

Country	Jurisdiction & Control List
FR	NOT LISTED

BASIC SERIE	8MQ	2	A	1	C	25	N
2 = Serie 2		A = Accessory		1 = Number of cavities		C = Colour coding plate	
25 = Based on standard EN4165		N, A, B, C, D, E, F, G = polarization					

SOURIAU shall not be liable for any non-conformity or damage due to a use of the Products which does not comply with the Specifications issued by either of the Parties or by a third party (professional recommendation, technical notice.)

P/N : SEE TABLE

A	09/08/17	First issue	24230S
ISS	DATE	Latest modification - by:	MOD N°
Designed by:		N.AUFFRET Date:09/08/17	CUSTOMER DRAWING
TITLE		COLOUR CODING PLATE - ACCESSORY BASIC SERIE 8MQ - EN4165	
Scale	3/2	General linear Tolerances: ± --	NPRDS / PROJECT BE133702A
SOURIAU		WWW.SOURIAU.COM	
FORMAT		SOURIAU DRG N° CO30-8MQ-A	
A3		SHEET 1 / 1	

This document is the property of SOURIAU  
It must not be reproduced or communicated without permission