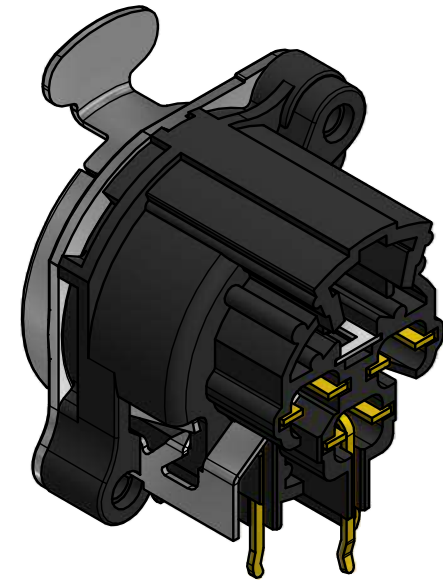
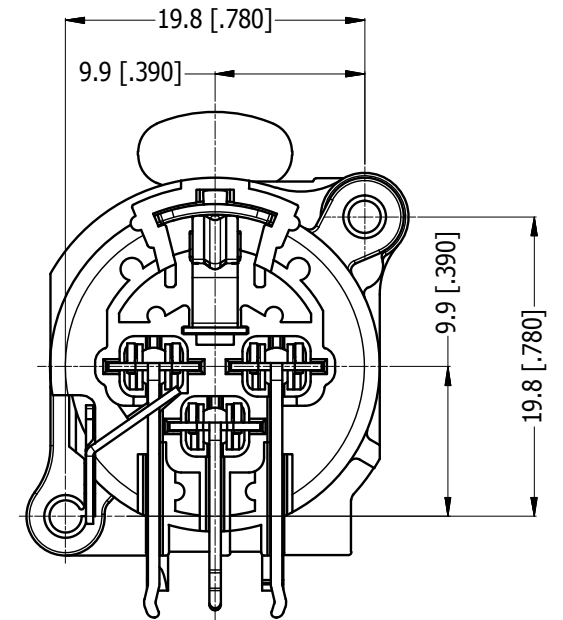
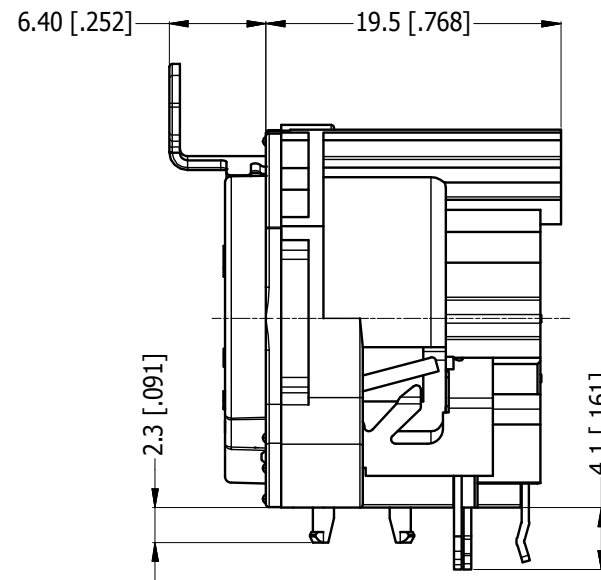
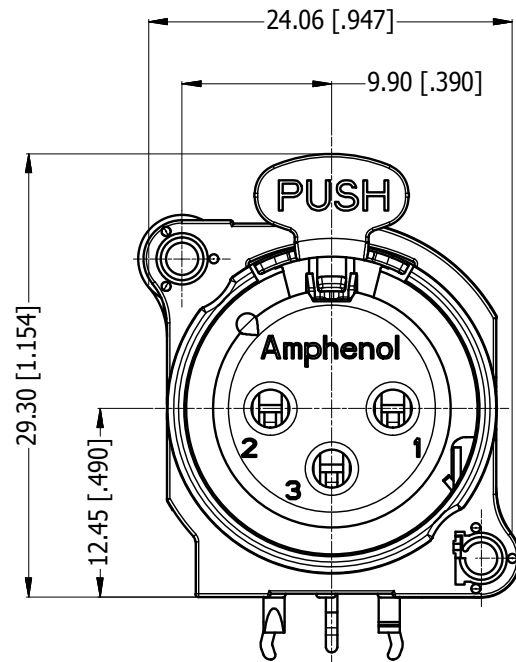
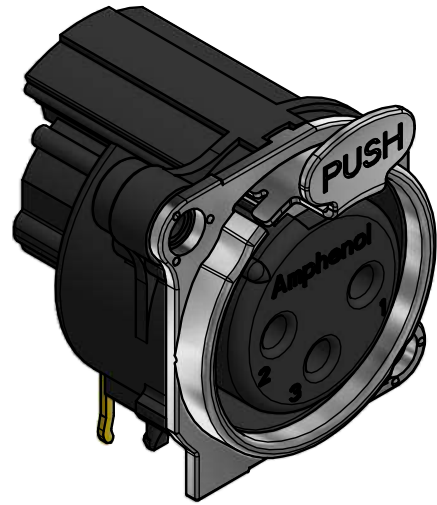
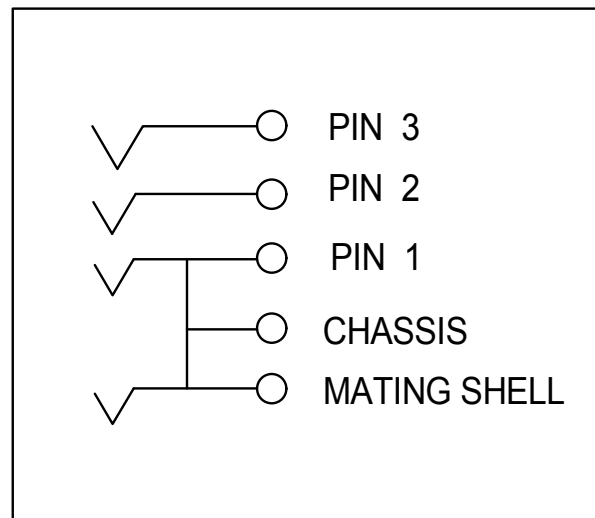


LEGEND = KEY PRODUCT CHARACTERISTICS

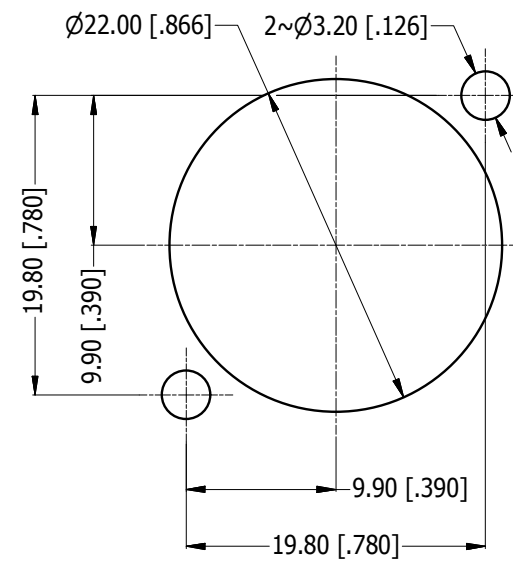
| REVISION HISTORY | | | | |
|------------------|-------------|----------|----|--------|
| REV | DESCRIPTION | DATE | BY | CHG/No |
| 0 | FIRST ISSUE | 17-03-17 | MH | ---- |



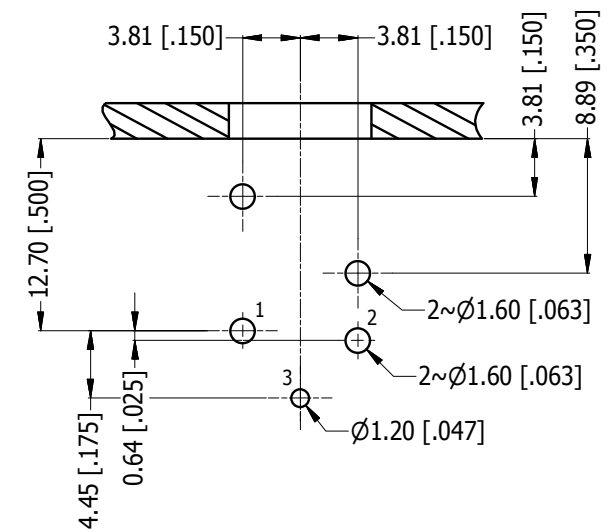
ISO VIEW



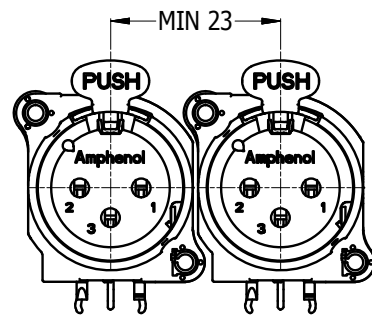
SCHMATIC CHART



PANEL CUT OUT
REAR VIEW



PCB-LAYOUT
COMPONENT SIDE
TOLERANCE: ± 0.05mm [.002"]



MIN MOUNTING PITCH
SCALE 1:1

| | | | | | | |
|--|-------------|---|------------|----------------|--|-------------------------|
| UNLESS OTHERWISE SPECIFIED TOLERANCE TO BE | | THIS DOCUMENT IS THE PROPERTY OF AMPHENOL AUSTRALIA PTY. LTD. NO PART THEREOF MAY BE REPRODUCED AND USED WITHOUT THE PRIOR WRITTEN CONSENT OF THE OWNER | | | Amphenol Amphenol Australia Pty.Ltd, 22 Industry Blvd, Carrum Downs, VIC 3201 | |
| LINEAR | ANGULAR | MATERIAL: REFER TO COMPONENT | DRN: MH | DATE: 17-03-17 | TITLE: AC3FBH1-AU-PRE HORIZONTAL FEMALE CUSTOMER DRAWING | PART No: AC3FBH1-AU-PRE |
| X ± 0.5 | X' ± 1 | BREAK ALL SHARP EDGES AND REMOVE ALL BURRS | CKD: M.H | DATE: 17-03-17 | DRAWING NO. 55011222-000-2 | SHEET 2/2 |
| X.X ± 0.2 | X.X' ± 30' | DO NOT SCALE | APP'D: P.M | DATE: 17-03-17 | CAD FILE 55011222000220 | |
| X.XX ± 0.1 | X.XX' ± 15' | DIMENSIONS IN MILLIMETRES | SCALE: 2:1 | SIZE: A3 | | |