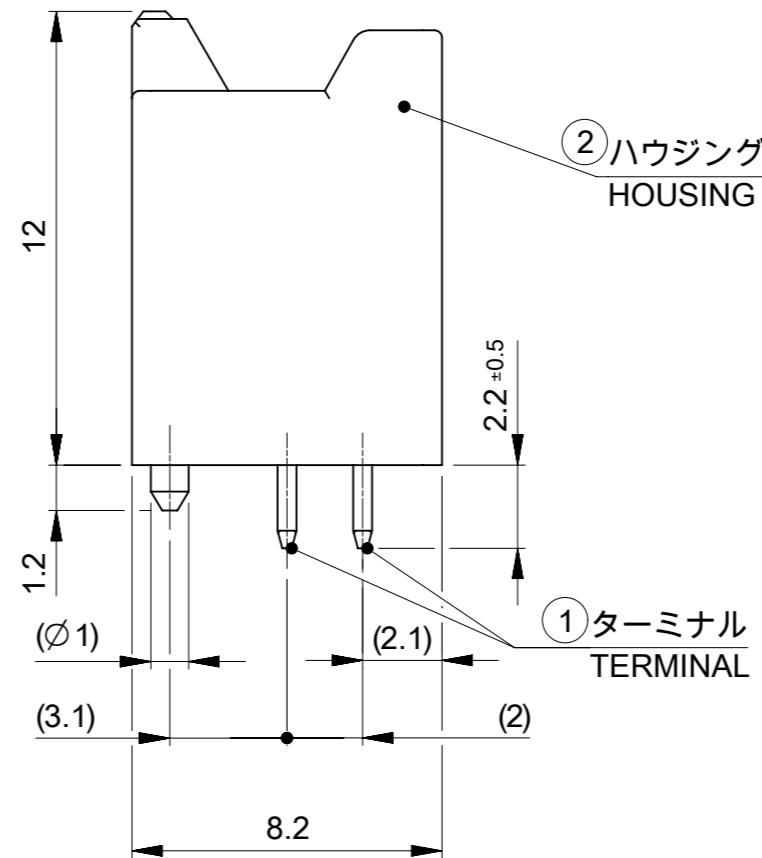
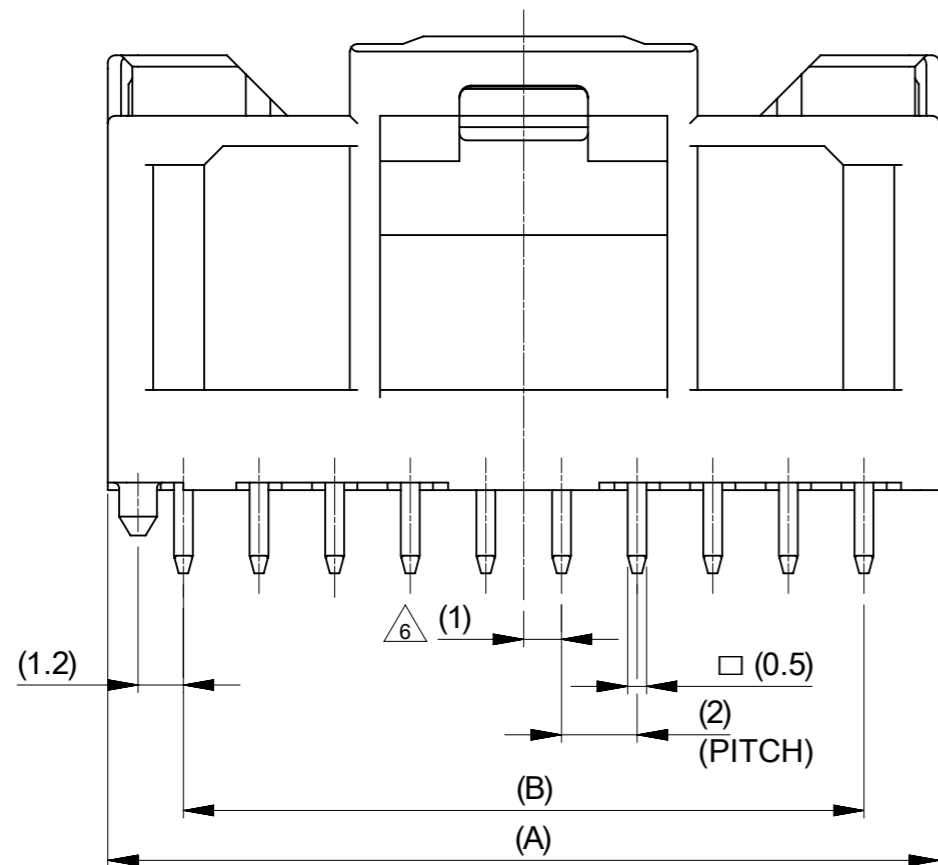
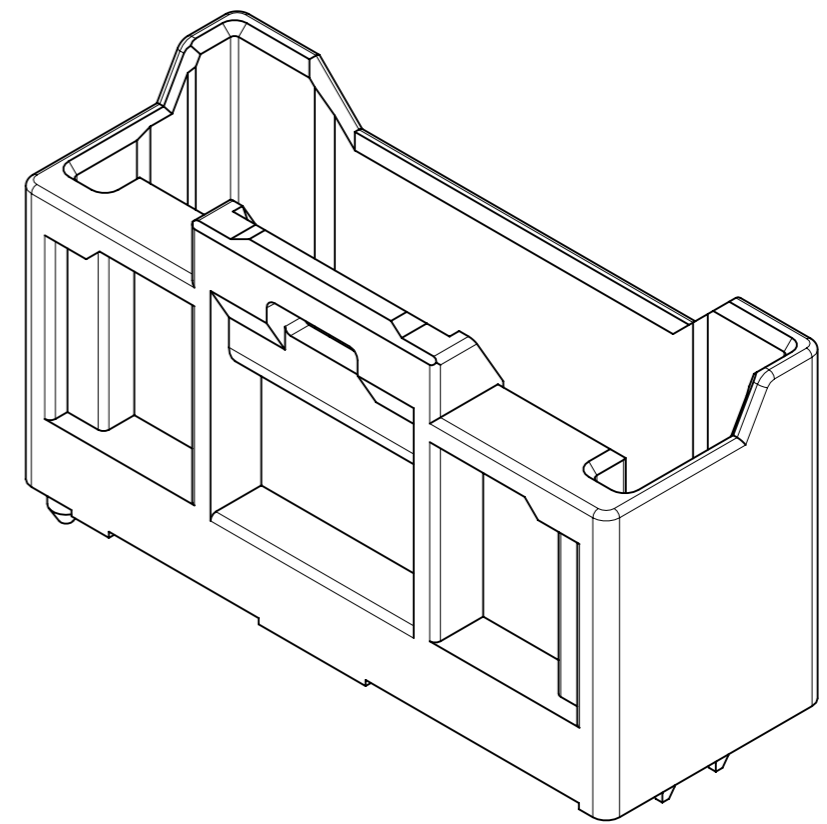
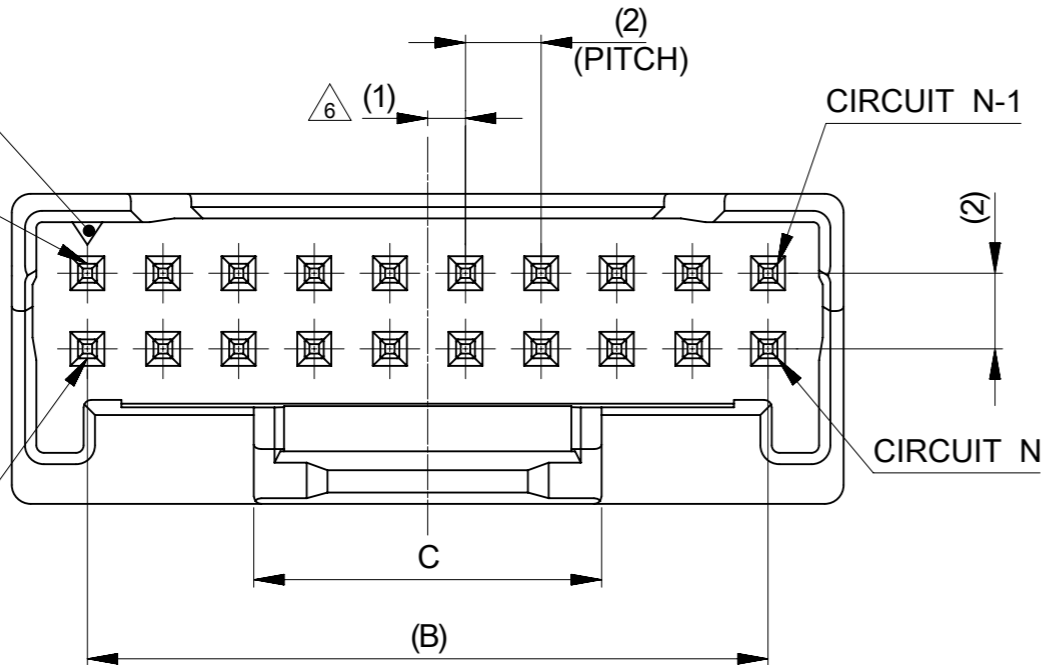


CIRCUIT 1
INDICATOR MARK

CIRCUIT 1

CIRCUIT 2



9.2	38	42	501645	4050	40
9.2	36	40	↑	3850	38
9.2	34	38		3650	36
9.2	32	36		3450	34
9.2	30	34		3250	32
9.2	28	32		3050	30
9.2	26	30		2850	28
9.2	24	28		2650	26
9.2	22	26		2450	24
9.2	20	24		2250	22
9.2	18	22		2050	20
9.2	16	20		1850	18
9.2	14	18		1650	16
9.2	12	16		1450	14
9.2	10	14	↓	1250	12
7.3	8	12	501645	1050	10
C	B	A	発注番号 ORDER No.	極数 CIRCUIT SIZE	

TABLE 1

番号 No.	部品 PART	材質 MATERIAL	
①	ターミナル TERMINAL	黄銅, BRASS	
		下地めっき UNDER PLATING	銅めっき 1.0 micro-meter MIN COPPER PLATING 1.0 micro-meter MIN
		コンタクト CONTACT	無光沢錫めっき(リフロー処理) 1.0 micro-meter MIN MATTE TIN PLATING (REFLOW TREATMENT) 1.0 micro-meter MIN
②	ハウジング HOUSING	ポリアミド(PA)ガラス入り, UL94V-0, 色: ナチュラル (ホワイト) POLYAMIDE(PA) GLASS FILLED, UL94V-0, COLOR : NATURAL (WHITE)	

THIS DRAWING CONTAINS INFORMATION THAT IS PROPRIETARY TO MOLEX ELECTRONIC TECHNOLOGIES, LLC AND SHOULD NOT BE USED WITHOUT WRITTEN PERMISSION

DIMENSION UNITS	SCALE	CURRENT REV DESC.
mm	NTS	
GENERAL TOLERANCES (UNLESS SPECIFIED)		
ANGULAR TOL	± 3.0 °	
4 PLACES	± 0.2	EC NO: 732484
3 PLACES	± 0.2	DRWN: SNAKAMURA08 2022/12/15
2 PLACES	± 0.2	CHK'D: KOMURAKAMI 2023/03/03
1 PLACE	± 0.2	APPR: SAKIYAMA 2023/03/03
0 PLACES	± 0.2	INITIAL REVISION:
DRAFT WHERE APPLICABLE MUST REMAIN WITHIN DIMENSIONS		DRWN: SNAKAMURA08 2019/10/01
THIRD ANGLE PROJECTION		APPR: KOMURAKAMI 2019/11/28
DRAWING	SERIES	DOCUMENT NUMBER
A3-SIZE	501645	5016450002-SD
MATERIAL NUMBER		DOC TYPE
SEE CHART		PSD
CUSTOMER		DOC PART
GENERAL		000
SHEET NUMBER		REVISION
1 OF 2		B

molex

IGRID 2.0 W/B PLUG ASSEMBLY
VERTICAL TIN PLATING SHORT TAIL

PRODUCT CUSTOMER DRAWING

NOTES.

- 1. 材料及び仕上げ(めっき仕様) : TABLE 1 参照
MATERIAL AND FINISHES : SEE TABLE 1
- 2. 製品仕様書 : PS-501646-001
PRODUCT SPECIFICATION:PS-501646-001
- 3. 嵌合相手:
MATES WITH:

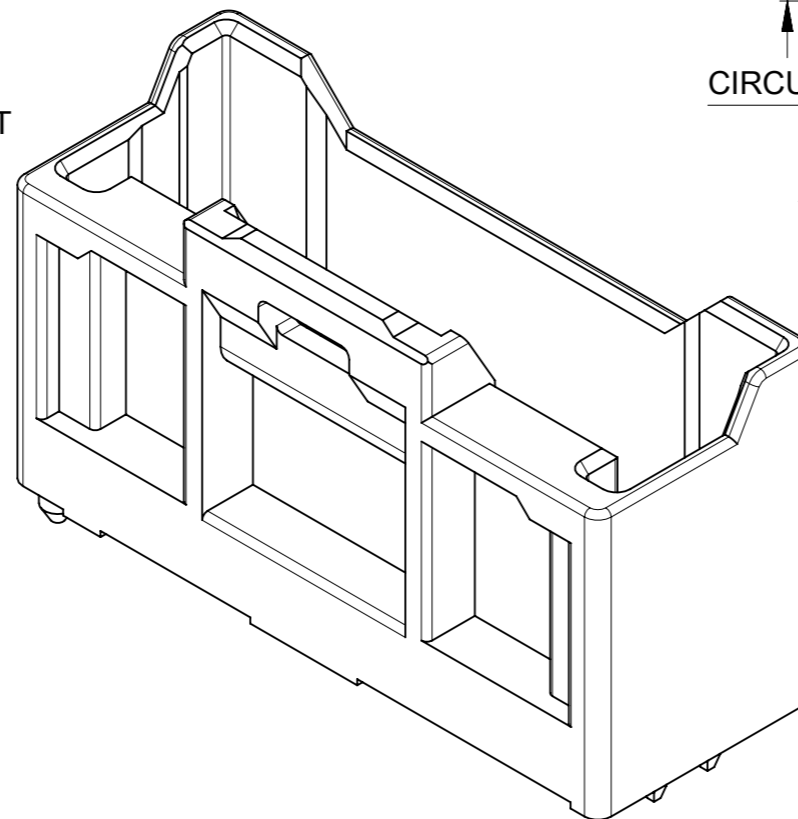
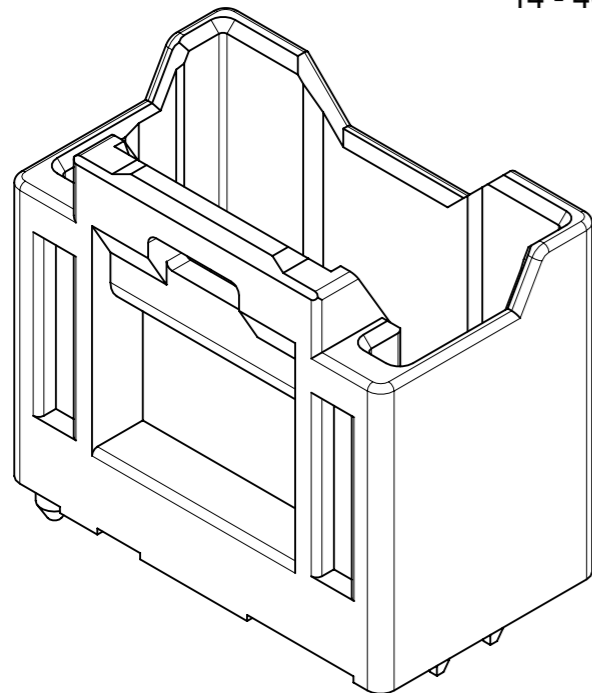
リセプタクルハウジング RECEPTACLE HOUSING	501646 SERIES	
圧着端子 RECEPTACLE CRIMP TERMINAL	AWG #22-26 錫めっき AWG #22-26 TIN PLATING	501647 SERIES
	AWG #26-28 錫めっき AWG #26-28 TIN PLATING	501648 SERIES

- 4. アプリケーション仕様書(コネクタ取扱い説明書) : 5016460000 PS A01
APPLICATION SPECIFICATION(CONNECTOR MANNUAL): 5016460000 PS A01
- 5. 本製品は錫めっき品です。
THIS PRODUCT IS A TIN PLATING.
- 6. 極数/2 = 偶数に適用
APPLY FOR CIRCUIT SIZE / 2 =EVEN
- 7. ターミナルに錫めっきを使用している為、外観に摺動痕が付く場合があります。
THE WOUND OF FRICTION MIGHT ADHERE TO EXTERNALS
BECAUSE THE TIN PLATING IS USED FOR TERMINAL.
- 8. 梱包仕様書: SPK-501645-001
PACKING INFORMATION : SPK-501645-001

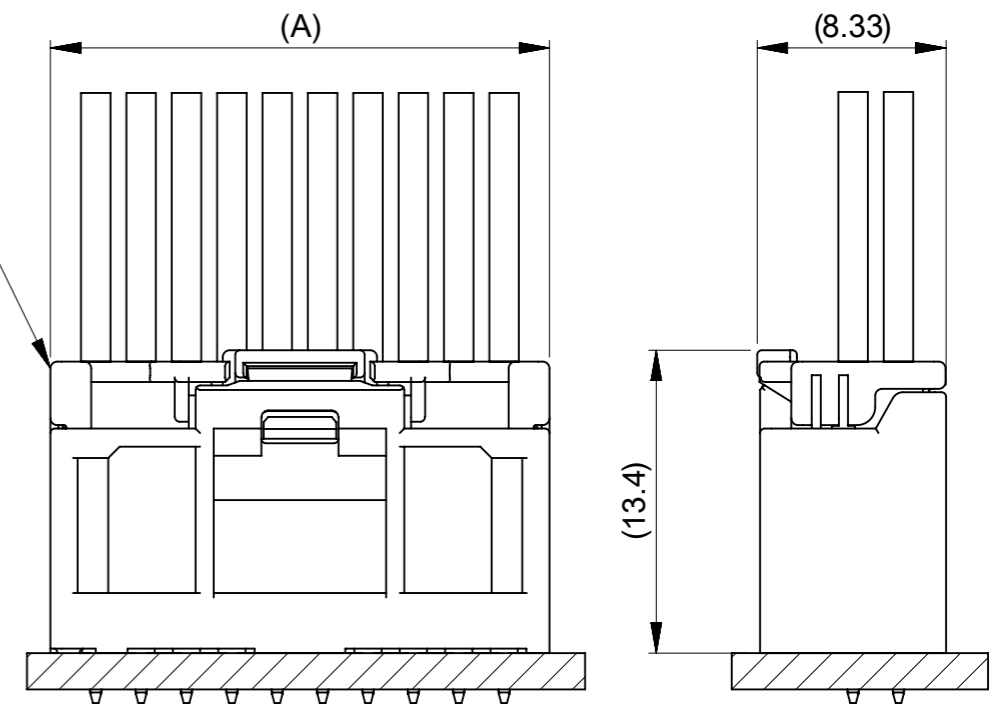
**製品形状
PRODUCT SHAPE**

10 - 12極
10 - 12 CIRCUIT

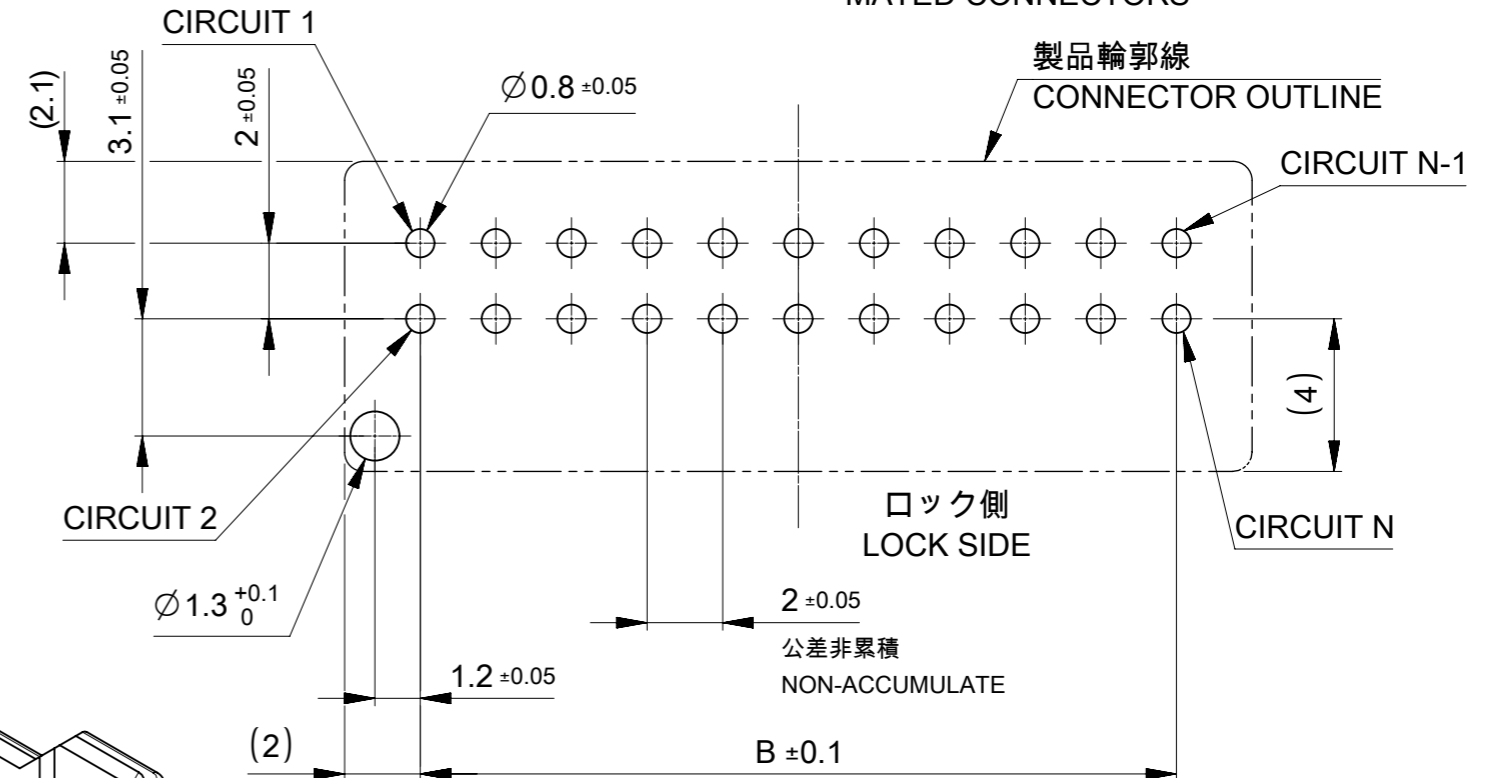
14 - 40極
14 - 40 CIRCUIT



嵌合相手:501646シリーズ
MATE WITH 501646 SERIES



嵌合状態図
MATED CONNECTORS



基板取付穴推奨寸法(マウント面)

POLARIZED RECOMMENDED PWB LAYOUT HOLE DIMENSION (MOUNTING SIDE)

参考基板厚 t=1.2~1.6

REFERENCE PWB THICKNESS t=1.2~1.6

THIS DRAWING CONTAINS INFORMATION THAT IS PROPRIETARY TO MOLEX ELECTRONIC TECHNOLOGIES, LLC AND SHOULD NOT BE USED WITHOUT WRITTEN PERMISSION		CURRENT REV DESC:		molex			
DIMENSION UNITS	SCALE						
mm	NTS			PRODUCT CUSTOMER DRAWING			
GENERAL TOLERANCES (UNLESS SPECIFIED)				DOCUMENT NUMBER			
ANGULAR TOL ± 3.0 °				DOC TYPE			
4 PLACES ± 0.2				DOC PART			
3 PLACES ± 0.2				REVISION			
2 PLACES ± 0.2				5016450002-SD			
1 PLACE ± 0.2				PSD			
0 PLACES ± 0.2				000			
DRAFT WHERE APPLICABLE MUST REMAIN WITHIN DIMENSIONS				B			
THIRD ANGLE PROJECTION		DRAWING		SERIES		MATERIAL NUMBER	
A3-SIZE		501645		SEE SHEET 1		CUSTOMER	
				GENERAL		SHEET NUMBER	
				2 OF 2			