

This document is the property of Amphenol Corporation and is delivered on the express condition that it is not to be disclosed, reproduced or used, in whole or in part, for manufacture on site by anyone other than Amphenol Corporation without its prior consent, and that no right is granted to disclose or to use any information in this document.

The marking on this product doesn't contain environmental hazardous materials per Material Specification SS-00259 for Sony GP compliant or per directive 2011/65/EU for RoHS compliant.



ORIGINAL

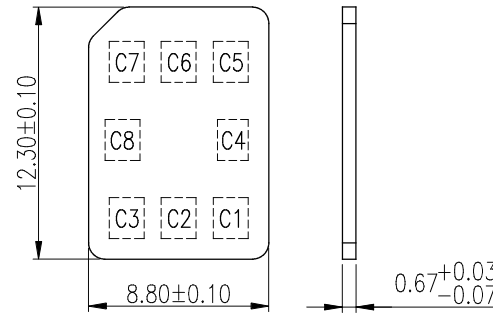
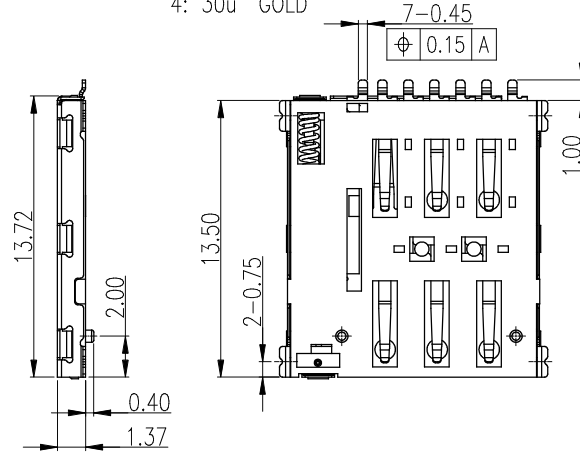
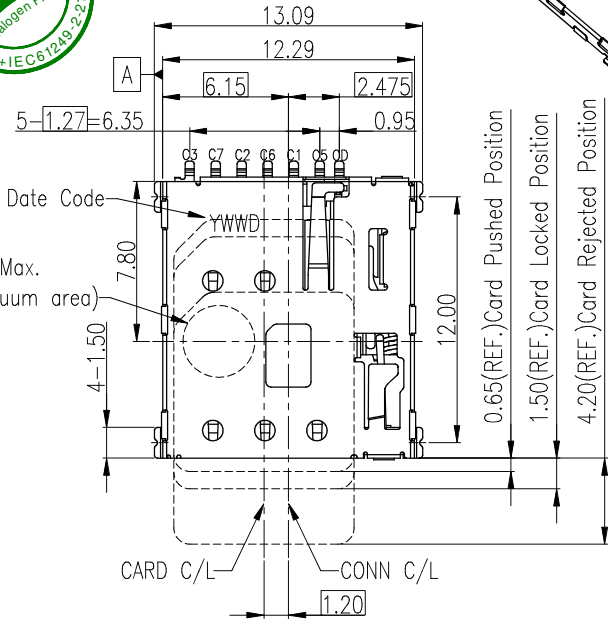
PART NO. G85D1171 X 1 X HHR

CONTACT FINISH PACKAGE OPTION
 0: GOLD FLASH 2: TAPE & REEL
 1: 5u" GOLD
 2: 10u" GOLD
 3: 15u" GOLD
 4: 30u" GOLD

REVISIONS				
SYM	ECN No.	DESCRIPTION	DATE	APPROVED
A	NE-18151	RELEASE REVISION	07/19/2018	Roger Tsai

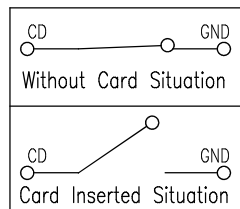
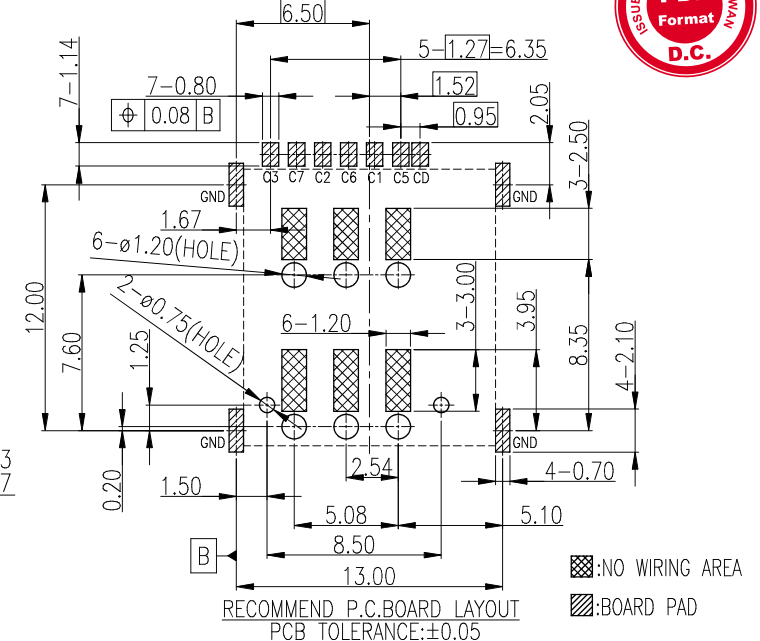
NOTES:

- MATERIAL:**
 HOUSING: HIGH TEMPERATURE THERMAL PLASTIC LCP, UL94V-0, COLOR: BLACK.
 TERMINAL: COPPER ALLOY.
 SHELL&LINK: STAINLESS STEEL.
 SPRING: SWP-B.
- FINISH:**
TERMINAL:
 CONTACT AREA: SELECTIVE GOLD PLATING THICKNESS MIN.;
 SOLDERING AREA: GOLD FLASH PLATING THICKNESS.;
 UNDER PLATING: NICKEL PLATING 50u" THICKNESS MIN. OVERALL.
SHELL:
 SOLDERING AREA: GOLD FLASH PLATING THICKNESS.;
 UNDER PLATING: NICKEL PLATING 50u" THICKNESS MIN. OVERALL.
- THIS PRODUCT IS HALOGEN-FREE PRODUCT.
- PRODUCT SPECIFICATION REFER TO : PS-7679.
- TEST SUMMARY REFER TO : TS-7679-001.



NANO SIM CARD

Use to Actual card(nanoSIM CARD); not cut from microSIM or miniSIM or SIM CARD by manual.



PIN ASSIGNMENT

C1	VCC
C2	RST
C3	CLK
C5	GND
C6	VPP
C7	I/O

TOLERANCE	APPROVALS	DATE
X. ±0.30	DRAWN Karen Su	07/19/2018
X.X ±0.20		
X.XX ±0.20	CHECKED Aqua Chou	07/19/2018
X.XXX ±0.10		
ANGULAR ±1°	APPROVED Roger Tsai	07/19/2018
UNLESS OTHERWISE SPECIFIED	DWG TYPE CUST DWG	PROJECT CODE OTHER

TITLE		
G85D SERIES, NANO SIM CARD 6 POS., WITH POST, SMT, 1.37H NORMAL CLOSE, PUSH PUSH TYPE		
UNIT mm	SIZE A3	PART No. G85D1171X1XHHR
SCALE NA	SHEET 1 OF 2	DWG No. G85D1171X1XHHR
		REV. A

Amphenol®
 Amphenol Corporation
 Amphenol Taiwan Corporation

This document is the property of Amphenol Corporation and is delivered on the express condition that it is not to be disclosed, reproduced or used, in whole or in part, for manufacture or sale by anyone other than Amphenol Corporation without its prior consent, and that no right is granted to disclose or to use any information in this document.

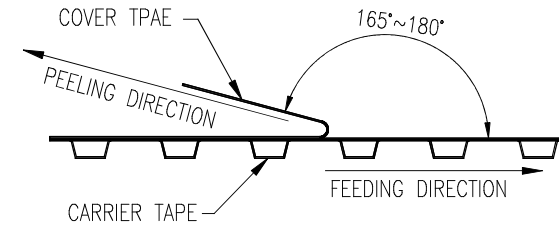
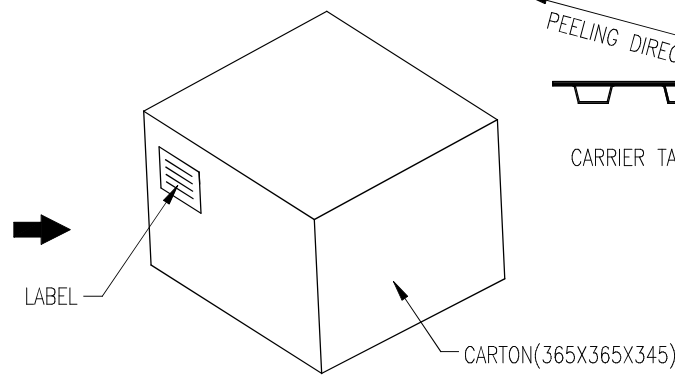
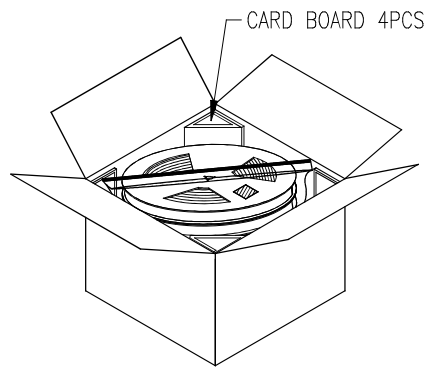
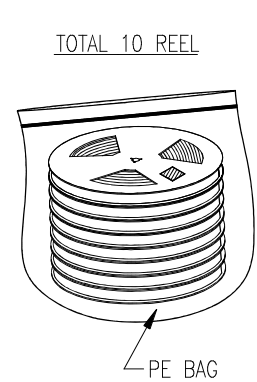
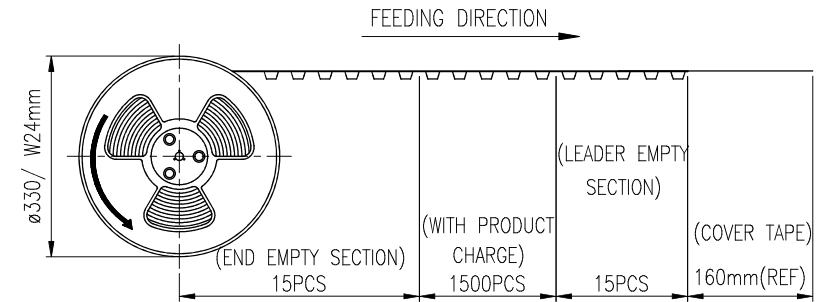
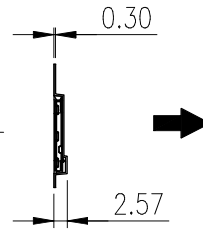
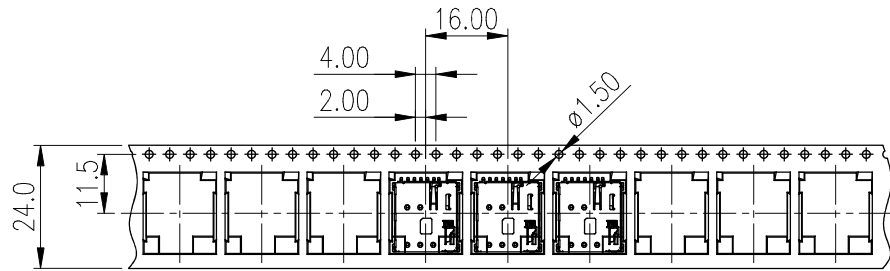
The marking on this product doesn't contain environmental hazardous materials per Material Specification SS-00259 for Sony GP compliant or per directive 2011/65/EU for RoHS compliant.



ORIGINAL



REVISIONS				
SYM	ECN No.	DESCRIPTION	DATE	APPROVED
A	NE-18151	RELEASE REVISION	07/19/2018	Roger Tsai



NOTES:

1. CARRIER TAPE MEET EIA-481 STANDARD
2. PACKING QUANTITY:
 - 2.1 1500 PCS PRODUCT/REEL.
 - 2.2 10 PCS REEL/CARTON.
 - 2.3 15000 PCS PRODUCT/CARTON.
3. N.W.: 5.18 KGS
4. G.W.: 11.0 KGS
5. PEELING FORCE 0.1N~1.3N.

TOLERANCE	APPROVALS	DATE	TITLE		PART No.	
X. ±0.30	DRAWN Karen Su	07/19/2018	G85D SERIES, NANO SIM CARD 6 POS., WITH POST, SMT, 1.37H NORMAL CLOSE, PUSH PUSH TYPE		Amphenol® Amphenol Corporation Amphenol Taiwan Corporation	
X.X ±0.20	CHECKED Aqua Chou	07/19/2018				
X.XXX ±0.10	APPROVED Roger Tsai	07/19/2018				
ANGULAR ±1°	DWG TYPE CUST DWG	PROJECT CODE OTHER	UNIT mm	SIZE A3	PART No. G85D1171X1XHHR	
UNLESS OTHERWISE SPECIFIED			SCALE NA	SHEET 2 OF 2	DWG No. G85D1171X1XHHR REV. A	