

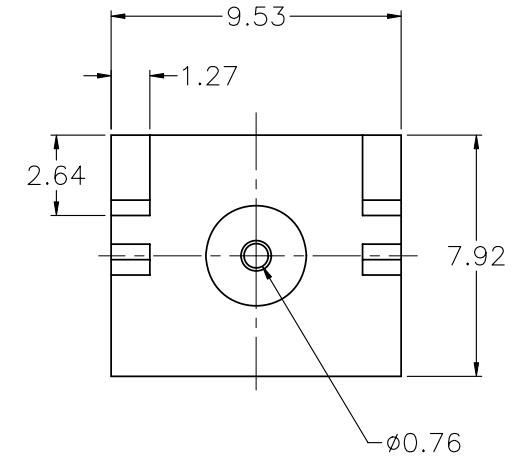
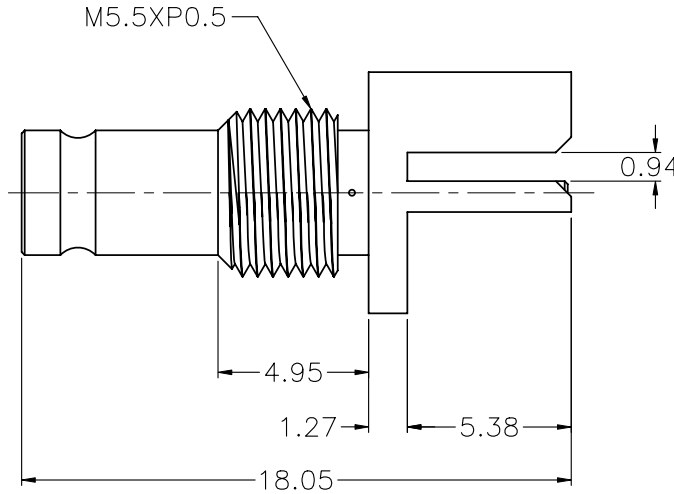
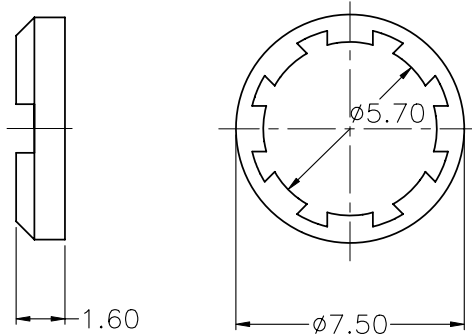
NOTES:

1. MATERIALS AND FINISHES(PLATING THICKNESS IN MICRO-INCHES):
 BODY & NUT - BRASS, GOLD PLATING
 CONTACT - BEYLLIUM COPPER, GOLD PLATING
 INSULATOR - PTFE, NATURAL
 LOCK WASHER - BRASS, GOLD PLATING
2. ELECTRICAL:
 A. IMPEDANCE: 50 OHM
 B. FREQUENCY RANGE: DC to 6 GHz
 C. DIELECTRIC WITHSTANDING VOLTAGE: 750 VRMS, MIN.
 D. INS RESISTANCE: 10000M OHM
3. MECHANICAL:
 A. DURABILITY: 500 CYCLES MIN.
 B. TEMPERATURE RANGE: -40 °C TO +155 °C
4. CONNECTOR CONFORMS TO:
 DIN 41626, DIN 47297
 NFC 93571

THIRD ANGLE PROJ.

REVISIONS

REV	DESCRIPTION	DATE	ECO	APPR
A	RELEASE TO MFG.	6/10/04	45011	SH
B	INSULATOR WAS CHANGED\RD-DM04081601A	08-16-04'		SH
C	LOCK WASHER WAS CHANGED\RD-DM04102101J	10-21-04'		SH
D	LOCK WASHER AND CONTACT PIN WERE CHANGED	03-Jun-12	48832	SH



CUSTOMER OUTLINE DRAWING
 ALL OTHER SHEETS ARE FOR INTERNAL USE ONLY

UNLESS OTHERWISE SPECIFIED, DIMENSIONS ARE IN METRIC AND TOLERANCES ARE: <0.5mm ±0.05mm 0.5 - 6mm ±0.1mm 6 - 30mm ±0.2mm 30 - 120mm ±0.3mm ANGLES ±1°	MATERIAL	DRAWN F.WANG	DATE 29-Dec-11	TITLE 1.0/2.3 RECEPTACLE PC MOUNT BULKHAND EDGE CARD	Amphenol RF Danbury CT USA, Tainan Taiwan, Shenzhen China www.amphenolrf.com			
	REFERENCE	ENGINEER FIGO	DATE 29-Dec-11		DRAWING NO.	102-692-04		
	NOTICE - These drawings, specifications, or other data (1) are, and remain the property of Amphenol Corp. (2) must be returned upon request; and (3) are confidential and not to be disclosed to any person other than those to whom they are given by Amphenol Corp. The furnishing of these drawings, specifications, or other data by Amphenol Corp., or to any other person to anyone for any purpose is not to be regarded by implication or otherwise in any manner licensing, granting rights or permitting such holder or any other person to manufacture, use or sell any product, process or design, patented or otherwise, that may in any way be related to or disclosed by said drawings, specifications, or other data.	FINISH	APPROVED S.HSIEH	DATE 29-Dec-11	SCALE: 4/1	SHEET 2 OF 2	ITEM NO.	102-692-04
			CAD FILE F:\DWG\CNPD\102\692\04-DSZ	DWG SIZE B	REV D	PART NO.	102-692-04	