

4

3

2

1

THIS DRAWING IS UNPUBLISHED.

RELEASED FOR PUBLICATION

---

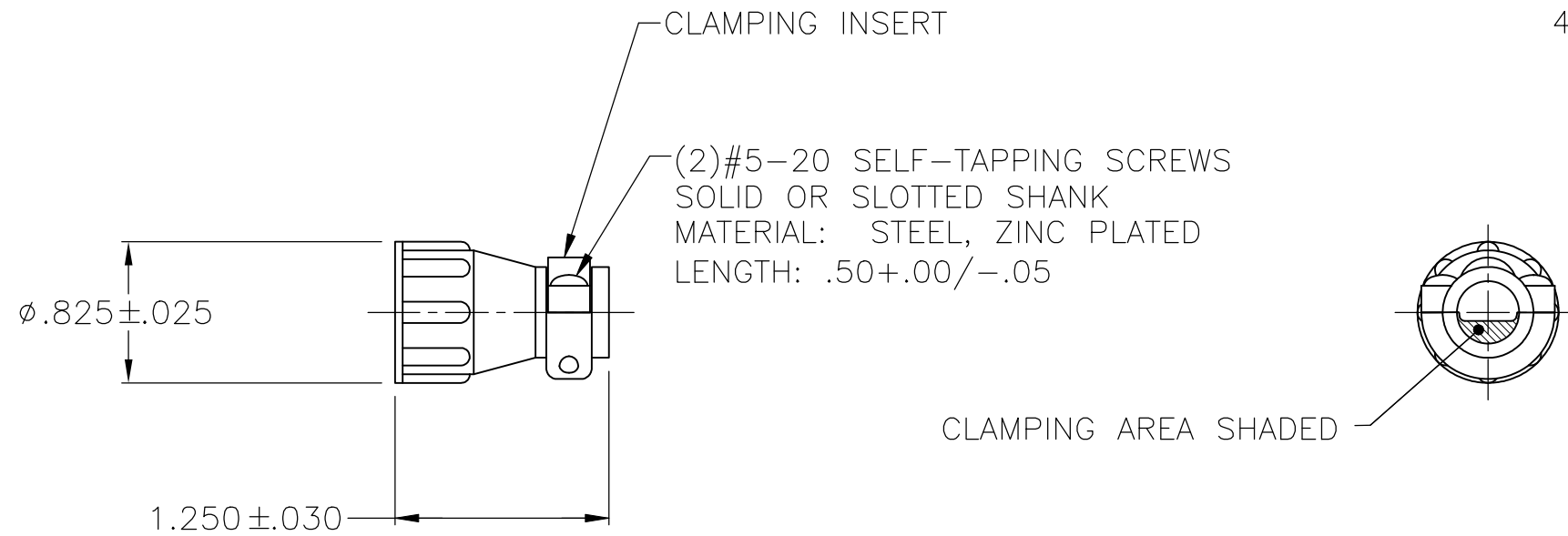
© COPYRIGHT - By -

ALL RIGHTS RESERVED.

REVISIONS

P	LTR	DESCRIPTION	DATE	DWN	APVD
1		NEW DRAWING	24JAN2017	BDA	MZ
A		REVISED PER ECO-19-003208	05MAR2019	RS	MZ

- 1 PARTS PACKAGED UNASSEMBLED.
- 2 CABLE CLAMPING AREA ADJUSTABLE FROM .004 TO .055 SQ IN BY REVERSING CLAMPING INSERTS.
- 3 .329 MAXIMUM CABLE OUTSIDE DIAMETER.
- 4 HOUSINGS MADE FROM MATERIAL RATED F1 FOR OUTDOOR SUITABILITY PER UL 746C..



INDIVIDUAL	2267393-1
PACKAGING	PART NUMBER

THIS DRAWING IS A CONTROLLED DOCUMENT.		DWN	24JAN2017	<b>TE Connectivity</b>	
		CHK	24JAN2017		
		APVD	24JAN2017		
		PRODUCT SPEC			
DIMENSIONS: INCHES  		TOLERANCES UNLESS OTHERWISE SPECIFIED: 0 PLC ± - 1 PLC ± - 2 PLC ± - 3 PLC ± - 4 PLC ± - ANGLES ± -		NAME CPC SHELL SIZE 11 STANDARD CABLE CLAMP KIT, UV RESISTANT	
MATERIAL THERMOPLASTIC		FINISH -		APPLICATION SPEC - WEIGHT -	SIZE A3
CUSTOMER DRAWING				CAGE CODE 00779	DRAWING NO C-2267393
				RESTRICTED TO -	SCALE NTS
				SHEET 1 OF 1	REV A