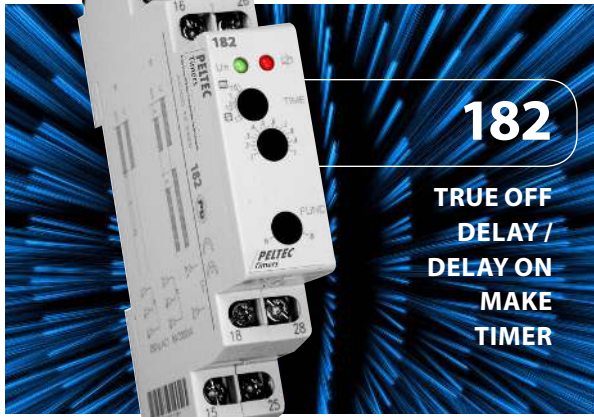
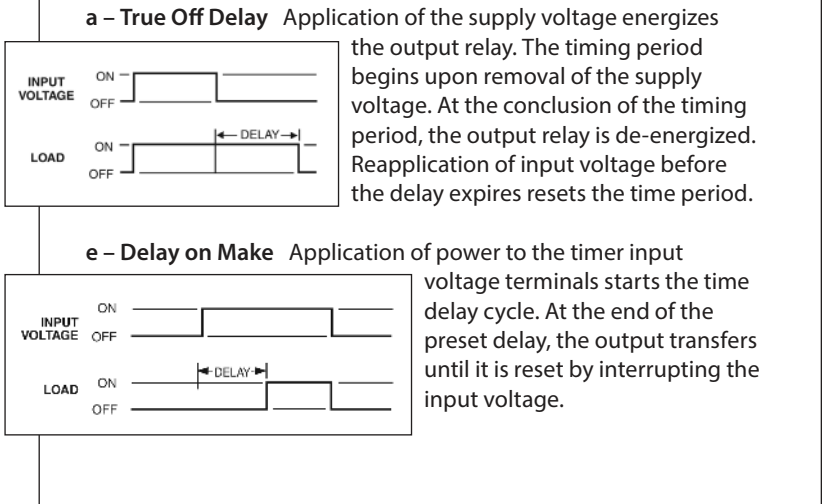


FEATURES

- True Off Delay / Delay on Make Timer
- 2 Timing modes adjustable via rotary switch
- a – True Off
- e – Delay on Make
- Relay output form: DPDT – 8 Amps
- Output indicator: Red LED
- Input indicator: Green LED
- DIN rail mounting
- UL and CE approvals, RoHS compliant

TIMING MODES



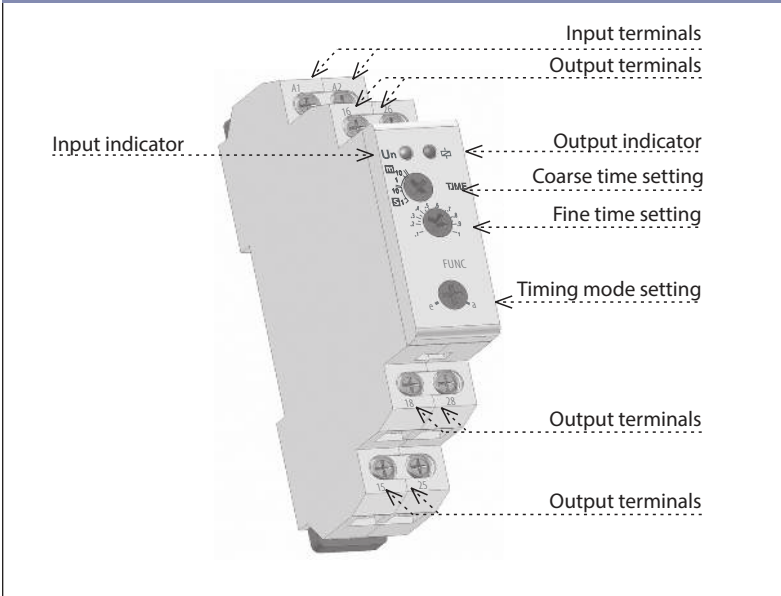
182
TRUE OFF
DELAY /
DELAY ON
MAKE
TIMER

11/14/14

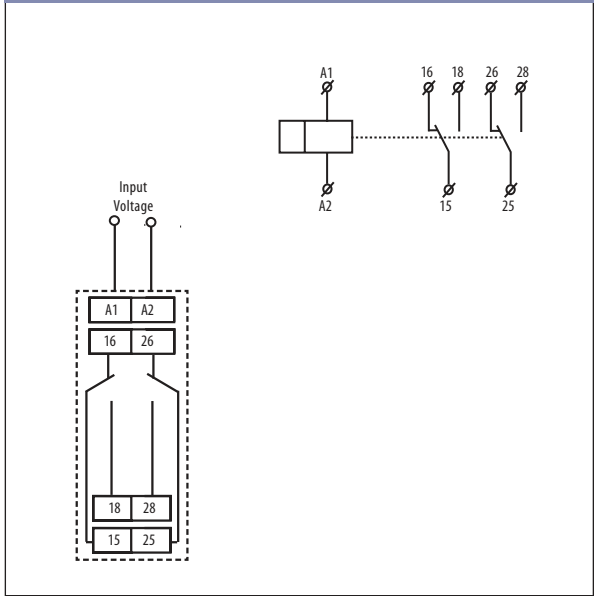
SPECIFICATIONS

- Number of timing modes** . . . 2
- Input terminals** A1-A2
- Input voltage** AC/DC 12-240V (AC 50/60Hz)
- Input voltage tolerance** . . . -15% to +10%
- Input indicator** Green LED
- Time ranges** 0.1 second-10 minutes
- Time settings by** Potentiometer
- Setting accuracy** 5%
- Repeatability** 0.2%
- Relay output form** DPDT
- Rated current** 8Amps
- Switching capacity** 2000 VA/ AC, 192 W/ DC
- Inrush current** 10A / < 3s
- Switching voltage (max)** . . . 250VAC / 24VDC
- Switching capacity DC (min)** 500mW
- Output indicator** Red LED
- Mechanical life** 30 million operations
- Electrical life (resistive)** . . . 70,000 operations
- Operating temperature** . . . -20°C to +55°C
- Storage temperature** -30°C to +70°C
- Dielectric strength** 4 kV
- Operating position** any
- Mounting** DIN rail EN 60715
- Protection degree** IP 40 from front panel
- Wire size (max)** 14AWG
- Standards** EN 61812-1, EN 61010-1, UL, CE, RoHS

FEATURES



WIRING DIAGRAM



11/14/14