

- 1
- 2
- 3
- 4
- 5
- 6
- 7
- 8
- 9
- 10
- 11
- 12
- 13
- 14
- 15
- 16
- 17
- 18

**MATERIAL**

AISI 304 stainless steel

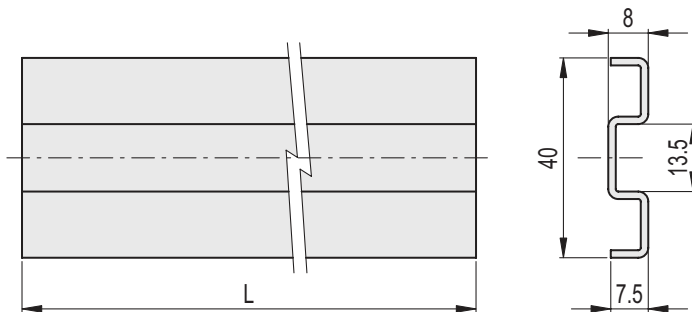
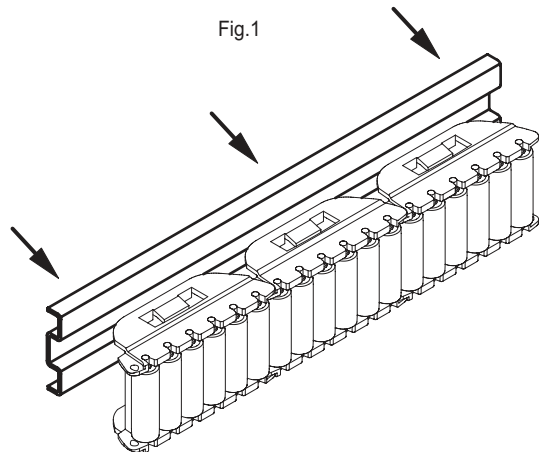
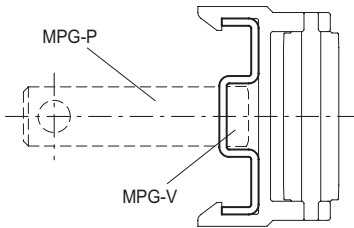
**FEATURES AND APPLICATIONS**

PRA-GLB profile is used for GLB-1 and GLB-2 side guides assembly (Fig.1).

Supplied in bars not drilled of 1500 or 3000 mm length, to allow the drilling during the assembly.

**ACCESSORIES ON REQUEST**

- MPG-P: assembly pin.
- MPG-V: zinc-plated steel hammer head screw. (see GLA-1).



INOX STAINLESS STEEL METRIC

Code	Description	L	⚖️
419184	PRA-GLB-40-1500	1500	1008
419181	PRA-GLB-40-3000	3000	2020