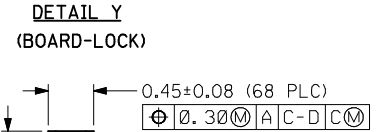
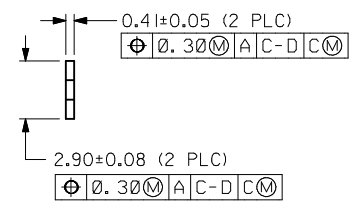
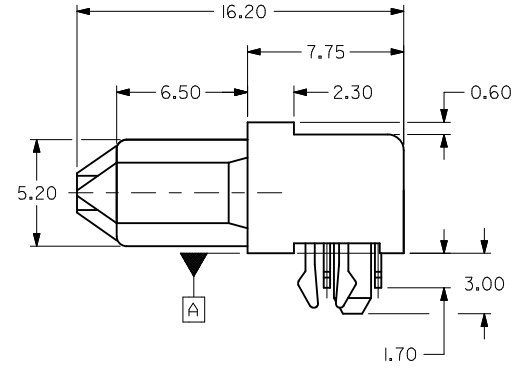
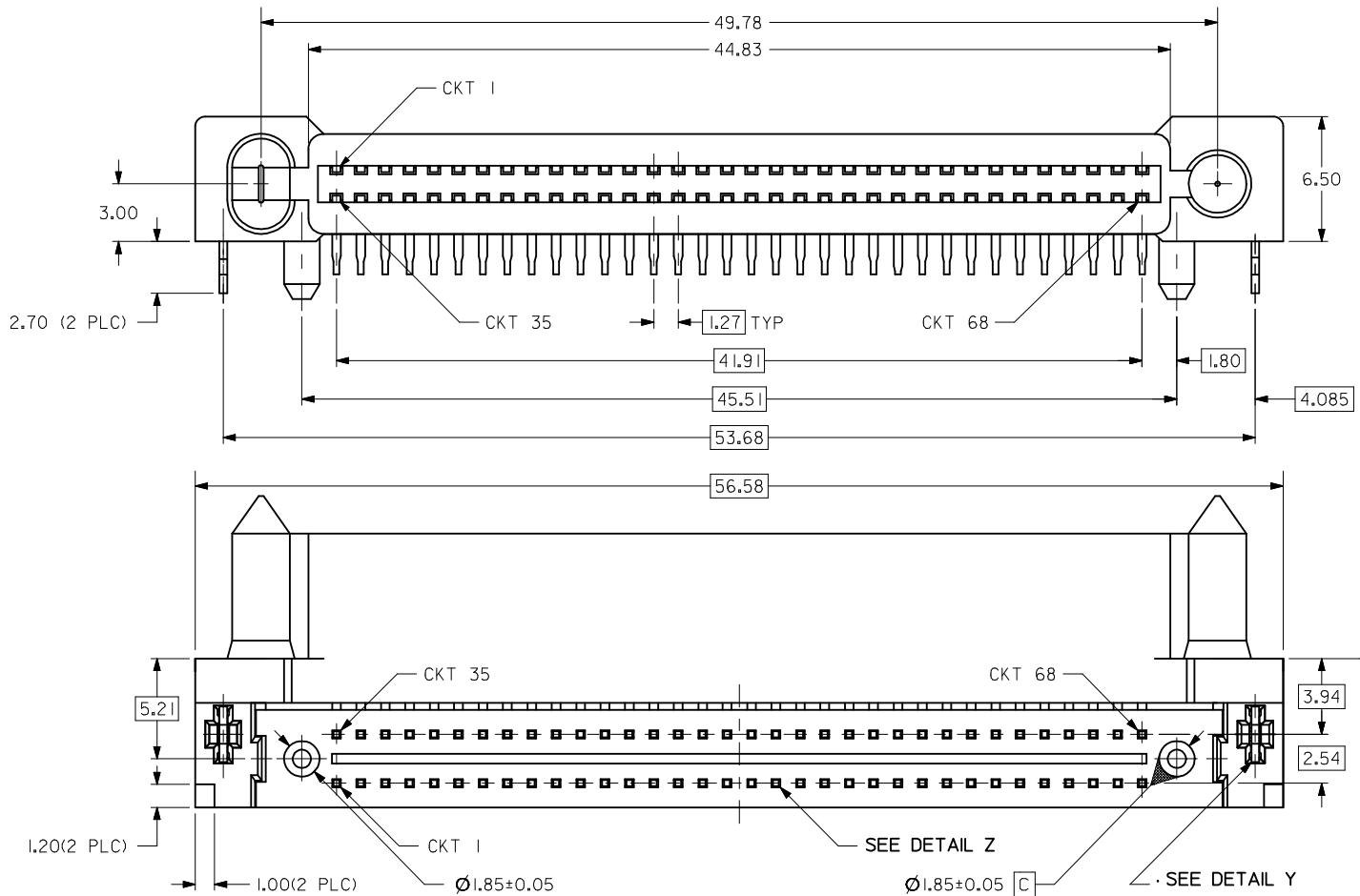


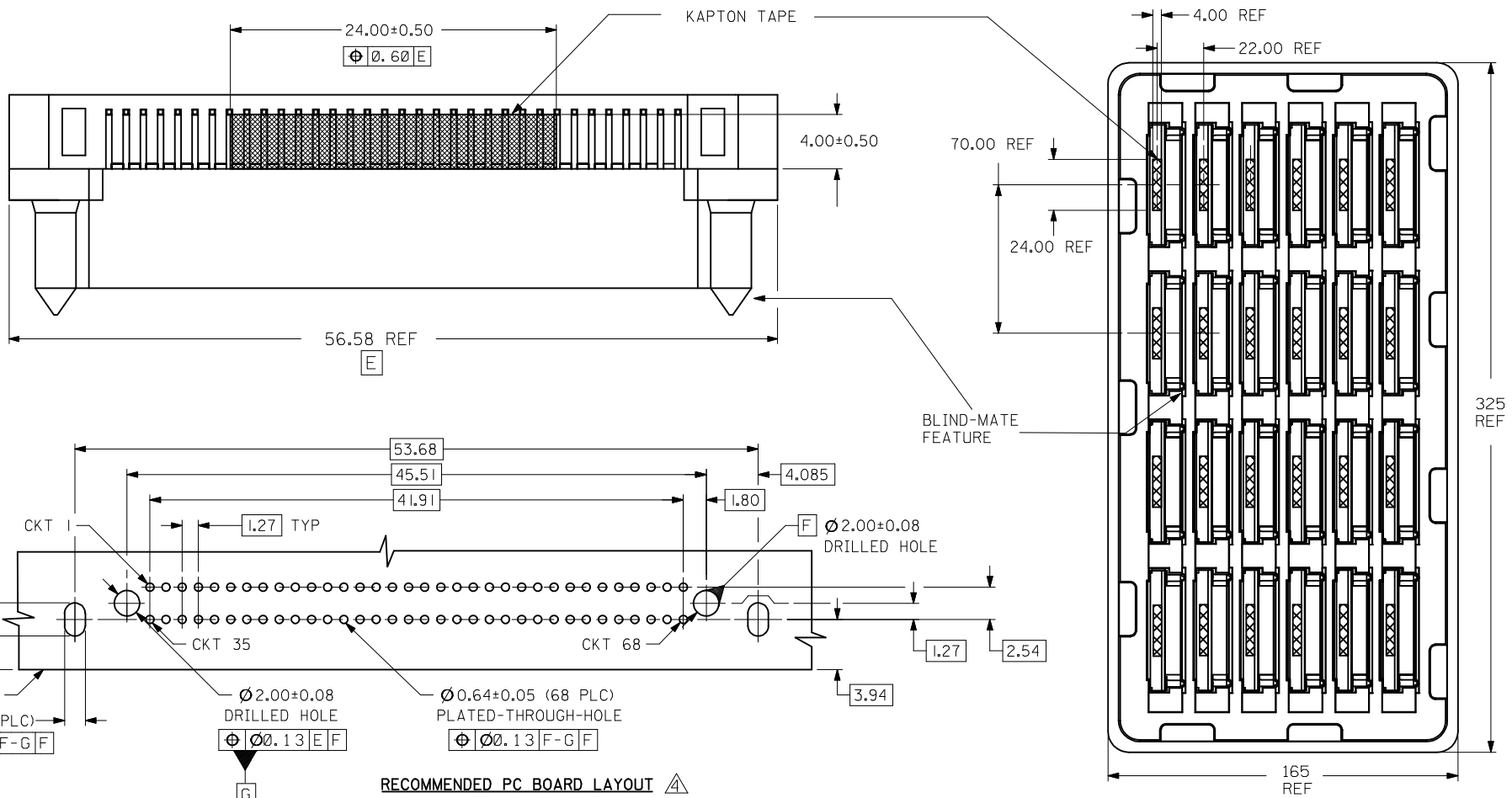
PART STATUS	PART NO. (PACKED IN CARTON)	CKT SIZE	CONTACTS LUBRICATION	WITH KAPTON TAPE
TOOLED	87537-8813	68	NIL	NO
TOOLED	87537-8819	68	YES	NO
TOOLED	87537-8822	68	YES	YES



QUALITY SYMBOLS	DESCRIPTION
$\nabla = 0$	
$\sphericalangle = 0$	

UPDATE NOTE 1  
 EC NO: S2007-0852  
 DRWN:YKOH 2007/04/03  
 CHKD:CGTAN 2007/04/03  
 APPR:KCLING 2007/04/03

GENERAL TOLERANCES (UNLESS SPECIFIED)	DIMENSION STYLE		SCALE	DESIGN UNITS	THIRD ANGLE PROJECTION
	mm	INCH			
4 PLACES $\pm$ ---	$\pm$ ---	$\pm$ ---	NTS	METRIC	
3 PLACES $\pm$ ---	$\pm$ ---	$\pm$ ---			
2 PLACES $\pm 0.25$	$\pm$ ---	$\pm$ ---			
1 PLACE $\pm$ ---	$\pm$ ---	$\pm$ ---			
ANGULAR $\pm 3^\circ$					
DRAFT WHERE APPLICABLE MUST REMAIN WITHIN DIMENSIONS	SEE TABLE		<b>RECEPTACLE, CONNECTOR</b> <b>1.27MM CTR, 68 CKTS, BTB</b> <b>BLIND-MATE, 3MM HT., R/A</b> <b>MOLEX INCORPORATED</b>		
	SIZE	THIS DRAWING CONTAINS INFORMATION THAT IS PROPRIETARY TO MOLEX INCORPORATED AND SHOULD NOT BE USED WITHOUT WRITTEN PERMISSION			SHEET NO.
	A3				1 OF 2



**RECOMMENDED PC BOARD LAYOUT**  
**COMPONENT SIDE**

PART ORIENTATION IN TRAY  
FOR PART NUMBER 87537-6822 ONLY  
QUANTITY PER TRAY: 24 PIECES

NOTES:

- 1 MATERIALS:  
HOUSING - LCP, GLASS FILLED, UL 94V-0, COLOR BLACK  
TERMINAL - COPPER ALLOY
- 2 PLATING:  
0.76µM MIN. GOLD IN SELECTIVE CONTACT AREA AND  
2.54µM MIN. TIN IN SOLDER TAIL AREA,  
BOTH OVER 1.27µM MIN. NICKEL
- 3 PRODUCT SPECIFICATION: PS-87537-0001
- 4 RECOMMENDED P.C. BOARD THICKNESS IS 1.20±0.05MM
- 5 CIRCUIT #58 TO BE RECESSED 0.50MM BEHIND  
ALL OTHER CONTACTS
- 6 PART IS LUBRICATED AT TERMINAL CONTACTS TO  
MINIMIZE UNMATE FORCE

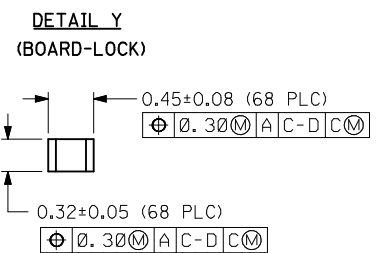
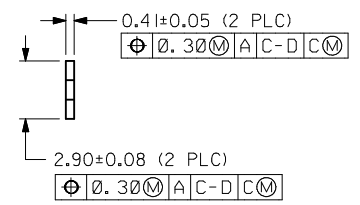
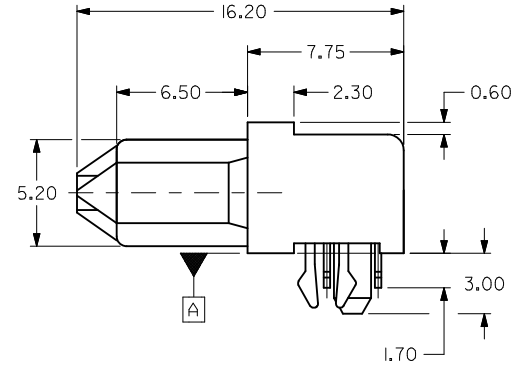
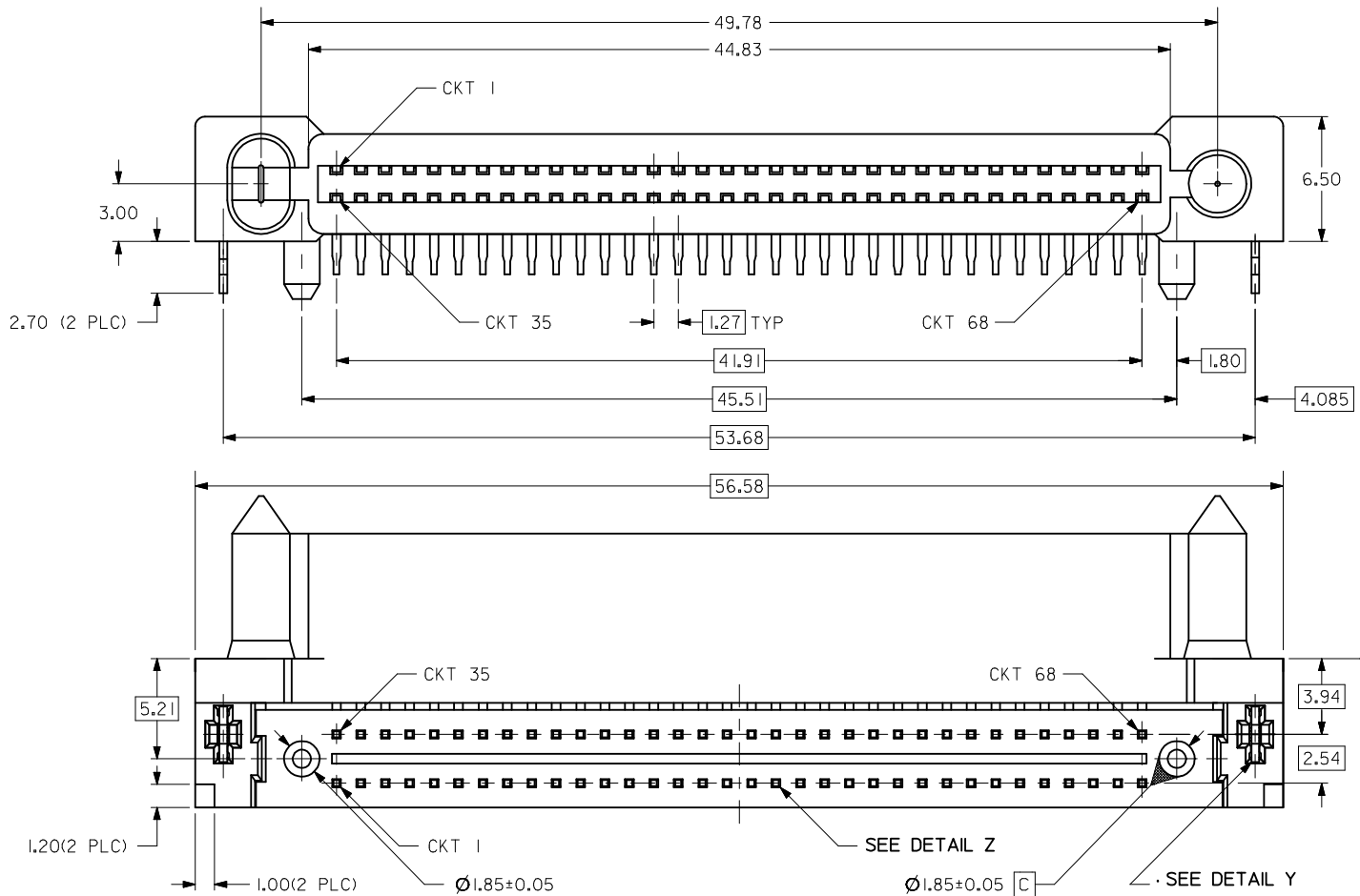
UPDATE NOTE1 EC NO: S2007-0852 DRAWN:YKOH CHKD:CGTAN APPR:KCLING	2007/04/03	DESCRIPTION	QUALITY SYMBOLS
	2007/04/03		▽=0 ∇=0
C1	REV		

GENERAL TOLERANCES (UNLESS SPECIFIED)	
mm	INCH
4 PLACES ± ---	± ---
3 PLACES ± ---	± ---
2 PLACES ± 0.25	± ---
1 PLACE ± ---	± ---
ANGULAR ± 3 °	
DRAFT WHERE APPLICABLE MUST REMAIN WITHIN DIMENSIONS	

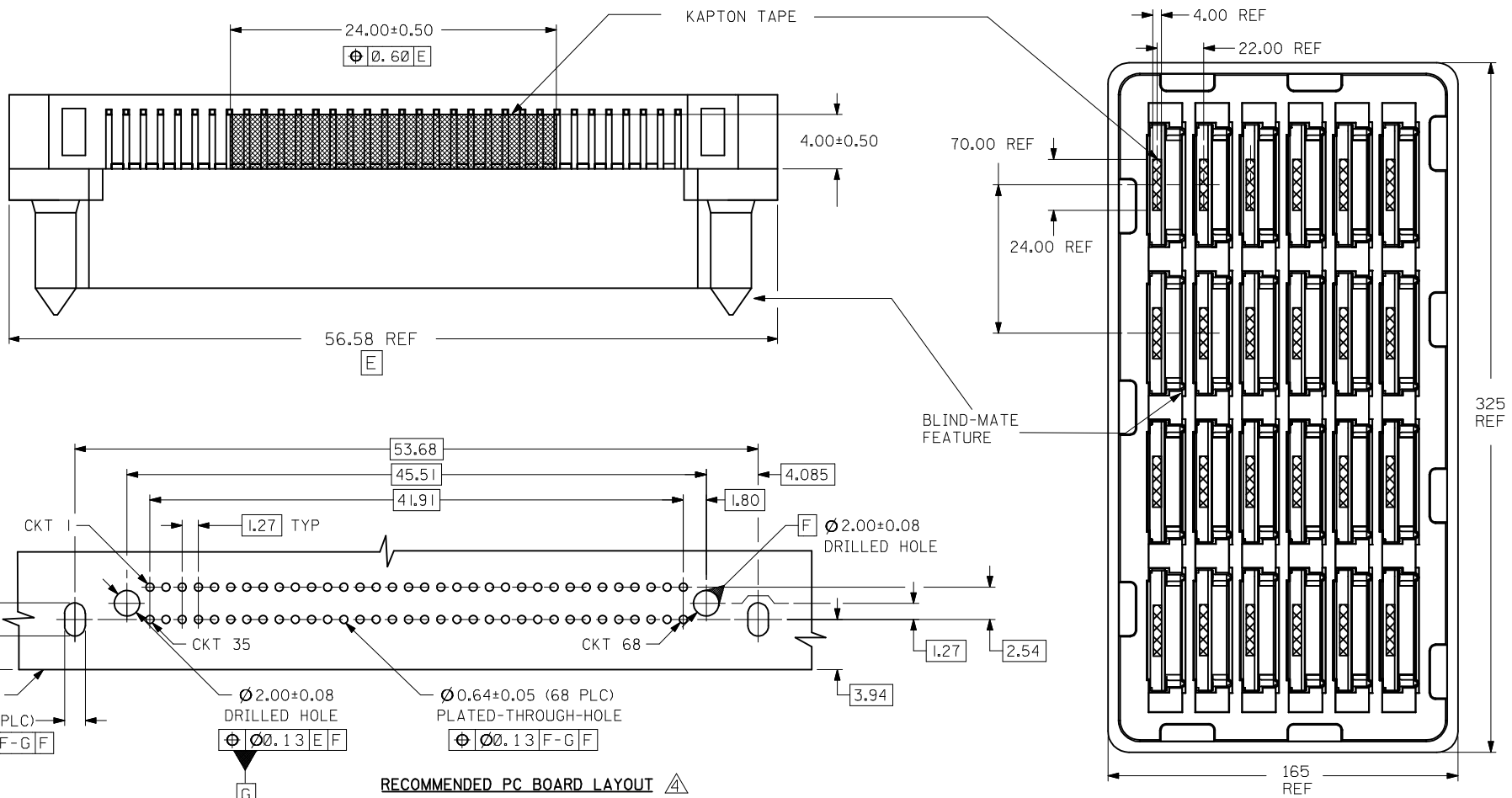
DIMENSION STYLE	
MM ONLY	
DRAWN BY	DATE
PTLIM	1999/01/05
CHECKED BY	DATE
KCLING	1999/01/14
APPROVED BY	DATE
SKTOH	1999/01/15
MATERIAL NO.	
SEE TABLE	
SIZE	A3

SCALE	NTS	DESIGN UNITS	METRIC	THIRD ANGLE PROJECTION
TITLE				
RECEPTACLE, CONNECTOR 1.27MM CTR, 68 CKTS, BTB BLIND-MATE, 3MM HT., R/A				
MOLEX INCORPORATED				
DOCUMENT NO.			SHEET NO.	
SD-87537-002			2 OF 2	
THIS DRAWING CONTAINS INFORMATION THAT IS PROPRIETARY TO MOLEX INCORPORATED AND SHOULD NOT BE USED WITHOUT WRITTEN PERMISSION				

PART STATUS	PART NO. (PACKED IN CARTON)	CKT SIZE	CONTACTS LUBRICATION	WITH KAPTON TAPE
TOOLED	87537-8813	68	NIL	NO
TOOLED	87537-8819	68	YES	NO
TOOLED	87537-8822	68	YES	YES



QUALITY SYMBOLS	GENERAL TOLERANCES (UNLESS SPECIFIED)		DIMENSION STYLE		SCALE	DESIGN UNITS	THIRD ANGLE PROJECTION	
	mm	INCH	MM ONLY		NTS	METRIC		
$\nabla=0$	4 PLACES	± ---	± ---	DRAWN BY	DATE	TITLE		
$\sphericalangle=0$	3 PLACES	± ---	± ---	PTL IM	1999/01/05	RECEPTACLE, CONNECTOR		
	2 PLACES	± 0.25	± ---	CHECKED BY	DATE	1.27MM CTR, 68 CKTS, BTB		
	1 PLACE	± ---	± ---	KCL ING	1999/01/14	BLIND-MATE, 3MM HT., R/A		
	ANGULAR ± 3 °			APPROVED BY	DATE	MOLEX INCORPORATED		
	DRAFT WHERE APPLICABLE MUST REMAIN WITHIN DIMENSIONS			SKTOH	1999/01/15	MOLEX INCORPORATED		
				MATERIAL NO.		DOCUMENT NO.		SHEET NO.
				SEE TABLE		SD-87537-002		1 OF 2
				SIZE	THIS DRAWING CONTAINS INFORMATION THAT IS PROPRIETARY TO MOLEX INCORPORATED AND SHOULD NOT BE USED WITHOUT WRITTEN PERMISSION			
				A3				



**RECOMMENDED PC BOARD LAYOUT**  
**COMPONENT SIDE**

**PART ORIENTATION IN TRAY**  
**FOR PART NUMBER 87537-6822 ONLY**  
**QUANTITY PER TRAY: 24 PIECES**

**NOTES:**

- 1 MATERIALS:  
HOUSING - LCP, GLASS FILLED, UL 94V-0, COLOR BLACK  
TERMINAL - COPPER ALLOY
- 2 PLATING:  
0.76µM MIN. GOLD IN SELECTIVE CONTACT AREA AND  
2.54µM MIN. TIN IN SOLDER TAIL AREA.  
BOTH OVER 1.27µM MIN. NICKEL
- 3 PRODUCT SPECIFICATION: PS-87537-0001
- 4 RECOMMENDED P.C. BOARD THICKNESS IS 1.20±0.05MM
- 5 CIRCUIT #58 TO BE RECESSED 0.50MM BEHIND
- ALL OTHER CONTACTS
- 6 PART IS LUBRICATED AT TERMINAL CONTACTS TO  
MINIMIZE UNMATE FORCE

UPDATE NOTE1 EC NO: S2007-0852 DRAWN: YKOH CHKD: CGTAN APPR: KCLING	2007/04/03	DESCRIPTION	QUALITY SYMBOLS
	2007/04/03		▽=0 ∇=0
C1	REV		

GENERAL TOLERANCES (UNLESS SPECIFIED)	
mm	INCH
4 PLACES ± ---	± ---
3 PLACES ± ---	± ---
2 PLACES ± 0.25	± ---
1 PLACE ± ---	± ---
ANGULAR ± 3 °	
DRAFT WHERE APPLICABLE MUST REMAIN WITHIN DIMENSIONS	

DIMENSION STYLE	
MM ONLY	
DRAWN BY	DATE
PTLIM	1999/01/05
CHECKED BY	DATE
KCLING	1999/01/14
APPROVED BY	DATE
SKTOH	1999/01/15
MATERIAL NO.	
SEE TABLE	
SIZE	A3

SCALE	NTS	DESIGN UNITS	METRIC	THIRD ANGLE PROJECTION
TITLE				
RECEPTACLE, CONNECTOR 1.27MM CTR, 68 CKTS, BTB BLIND-MATE, 3MM HT., R/A				
MOLEX INCORPORATED				
DOCUMENT NO.				SHEET NO.
SD-87537-002				2 OF 2
THIS DRAWING CONTAINS INFORMATION THAT IS PROPRIETARY TO MOLEX INCORPORATED AND SHOULD NOT BE USED WITHOUT WRITTEN PERMISSION				