

4

3

2

1

THIS DRAWING IS UNPUBLISHED.

RELEASED FOR PUBLICATION

ALL RIGHTS RESERVED.

© COPYRIGHT - By -

LOC
ES 00DIST
00

REVISIONS

P	LTR	DESCRIPTION	DATE	DWN	APVD
	B2	ECR-14-006619	12MAY2014	T.Q	W.H

Dimensions: $D \pm 0.3$, $C \pm 0.3$, 0.8, 1.1, 1, 5.8, E, 0.9, TRADE MARK, 2 PITCH, (1.6), A, (2.2), $B \pm 0.3$.

KINKING FORMING 4 PLACES
SECT E-E 4 Pos.

NOTES:
1. MATERIAL: HOUSING - NYLON 66 (UL94V-0)
POST - TIN BRASS

Dimensions: $\phi 0.6$, CIRCUIT NO.1, 6.8 ± 0.3 , 0.2, 4.2 ± 0.3 / -0.2 , 3.0, 0.6, 1.7, 3.2 ± 0.3 , 1.5 ± 0.3 , 2.0, KINKING FORMING 4 PLACES, 5 Pos.

(0.5), (1.4), 0.8, 0.2X45° CHAM, $\phi 0.7$, KINKING FORMING 3 PLACES, 3 Pos. SECT E-E

KINKING FORMING 2 PLACES, 2 Pos. SECT E-E

$\phi 0.8$ HOLE, 1.5 ± 0.1 , $\phi 0.8$ ± 0.1 / -0 (PUNCHED HOLE), $\phi 0.85$ ± 0.05 / -0 (DRILLED HOLE), 2 ± 0.1 PITCH, NOT ACCUMULATED TOLERANCE

RECOMMENDABLE PCB LAYOUT
(PCB THK: 0.8-1.6)

THIS DRAWING IS A CONTROLLED DOCUMENT.

DWN S.XU 06NOV03

CHK S.YAO 06NOV03

APVD T. SASAKI 06NOV03

PRODUCT SPEC

108-60016

APPLICATION SPEC

-

WEIGHT -

CUSTOMER DRAWING

DIMENSIONS:

mm

TOLERANCES UNLESS OTHERWISE SPECIFIED:

 ± 0.2 0 PLC \pm 1 PLC \pm 2 PLC \pm 3 PLC \pm 4 PLC \pm ANGLES \pm

MATERIAL

SEE NOTE

FINISH

SEE NOTE

TE Connectivity

NAME
POST HEADER ASS'Y POLARIZE TYPE (BOX-V TYPE)
(AMP CT CONNECTOR 2mm PITCH)

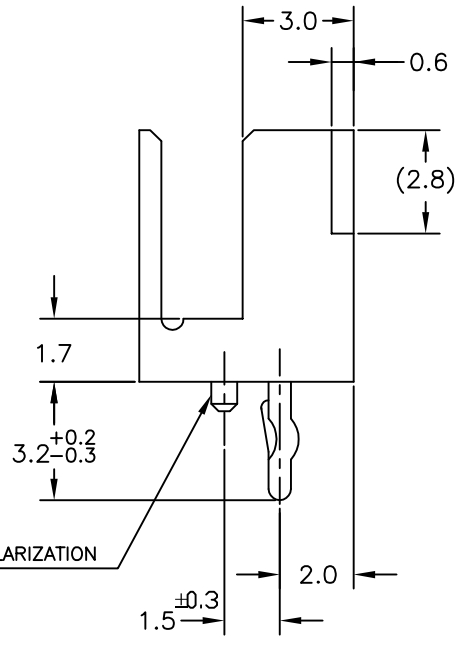
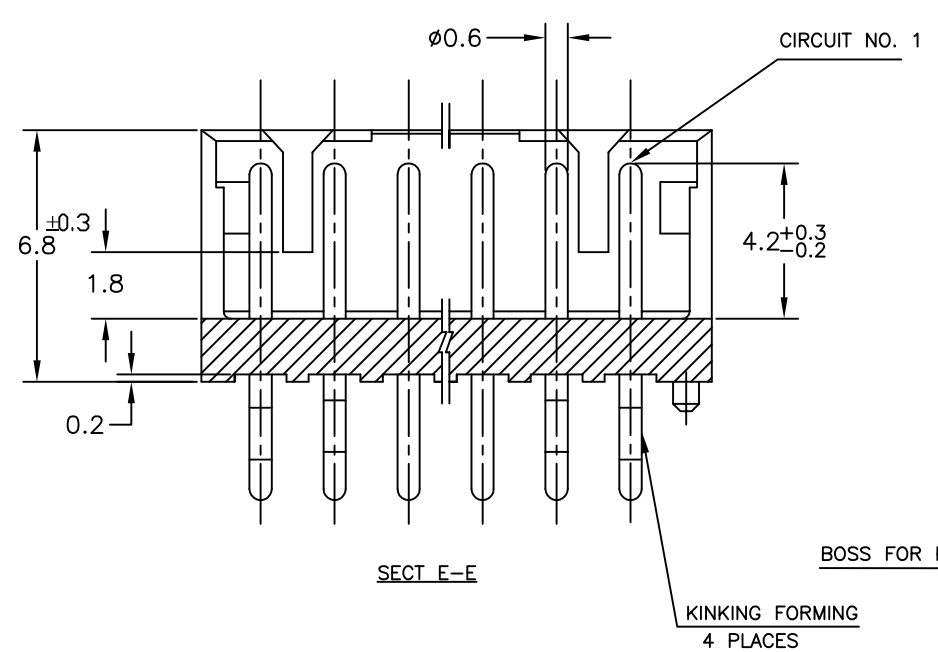
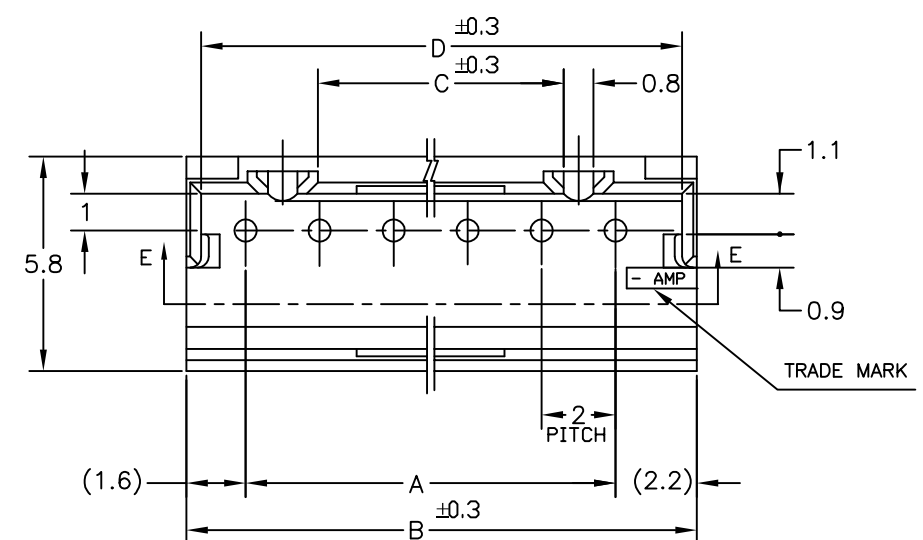
SIZE	CAGE CODE	DRAWING NO	RESTRICTED TO
A3	00779	C=292251	-

SCALE 5:1 SHEET 1 OF 2 REV B2

1470-19 (3/11)

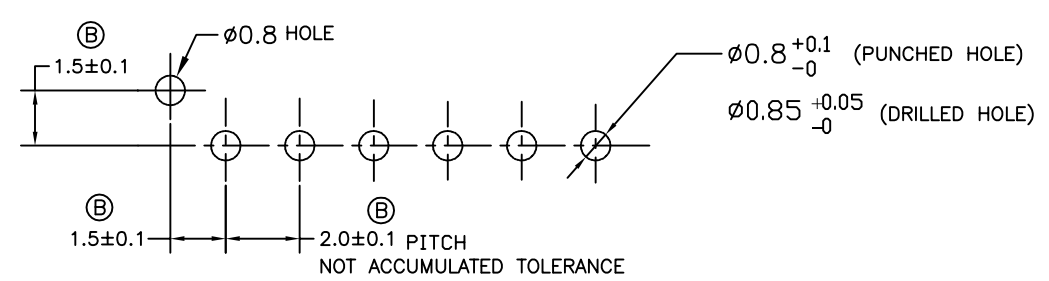
THIS DRAWING IS UNPUBLISHED. RELEASED FOR PUBLICATION
 © COPYRIGHT - By - ALL RIGHTS RESERVED.

LOC	DIST	REVISIONS				
P	LTR	DESCRIPTION	DATE	DWN	APVD	
ES	00	SEE SHEET 1	-	-	-	



NOTES:
 1. MATERIAL: HOUSING - NYLON 66 (UL94V-0)
 POST - TIN BRASS

	1-292251-5	15	28	31.8	25.2	31.0
	1- -4	14	26	29.8	23.2	29.0
	1- -3	13	24	27.8	21.2	27.0
	1- -2	12	22	25.8	19.2	25.0
	1- -1	11	20	23.8	17.2	23.0
	1- -0	10	18	21.8	15.2	21.0
	-9	9	16	19.8	13.2	19.0
	-8	8	14	17.8	11.2	17.0
	-7	7	12	15.8	9.2	15.0
	-6	6	10	13.8	7.2	13.0
	-5	5	8	11.8	5.2	11.0
2-292251-4	-4	4	6	9.8	3.2	9.0
	-3	3	4	7.8	0	7.0
2-292251-2	292251-2	2	2	5.8	0	5.0
BLUE	NATURAL	Pos.	A	B	C	D



RECOMMENDABLE PCB LAYOUT
 (PCB THK:0.8-1.6)

THIS DRAWING IS A CONTROLLED DOCUMENT.		DWN	TE Connectivity			
DIMENSIONS: mm		CHK	NAME			
TOLERANCES UNLESS OTHERWISE SPECIFIED: ±0.2		APVD	POST HEADER ASS'Y POLARIZE TYPE (BOX-V TYPE) (AMP CT CONNECTOR 2mm PITCH)			
6 PLC ±		PRODUCT SPEC	SIZE	CAGE CODE	DRAWING NO	RESTRICTED TO
1 PLC ±		APPLICATION SPEC	A3	00779	C-292251	
2 PLC ±		WEIGHT	CUSTOMER DRAWING		SCALE	SHEET
3 PLC ±					5:1	2 of 2
4 PLC ±						REV
ANGLES ±						B2
FINISH						