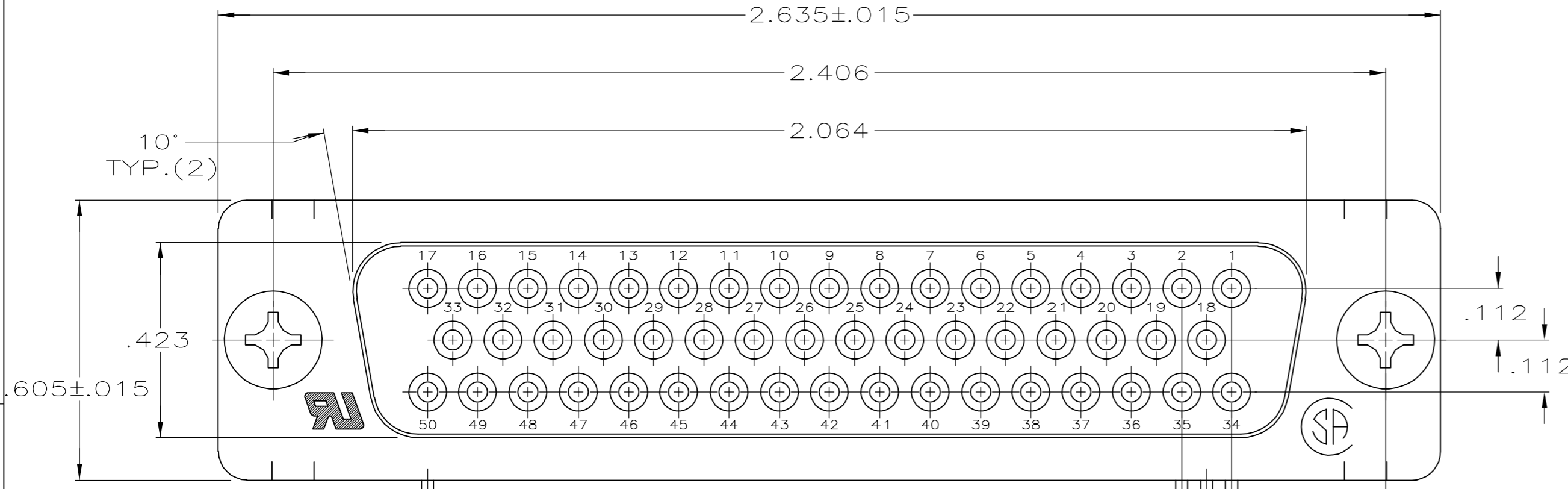
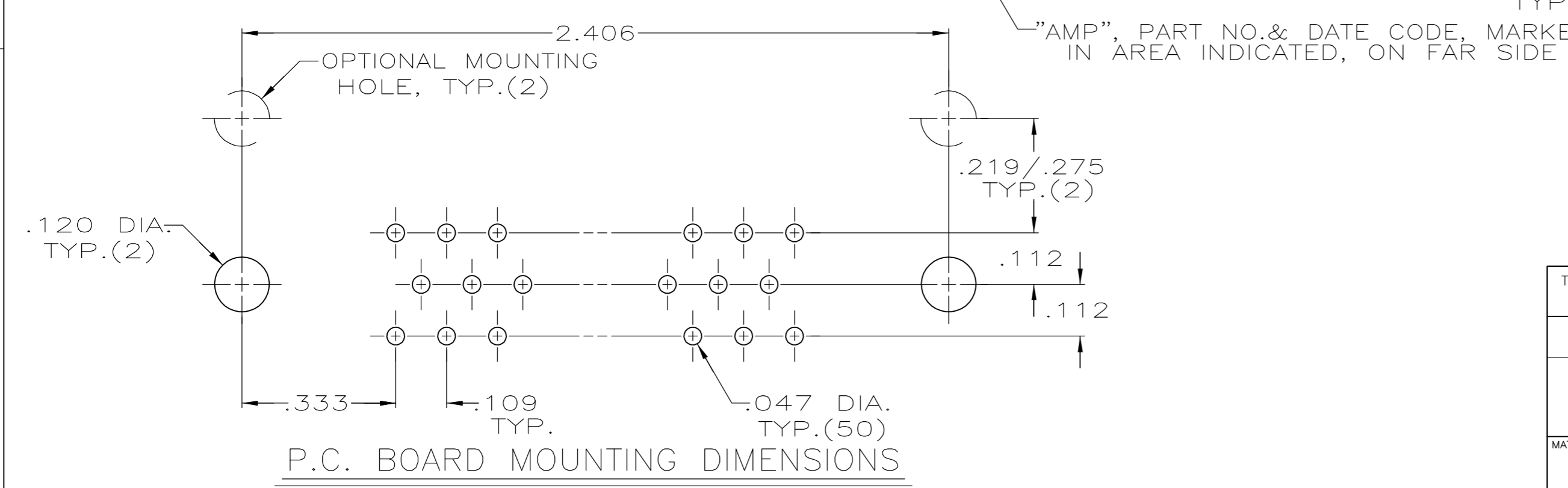
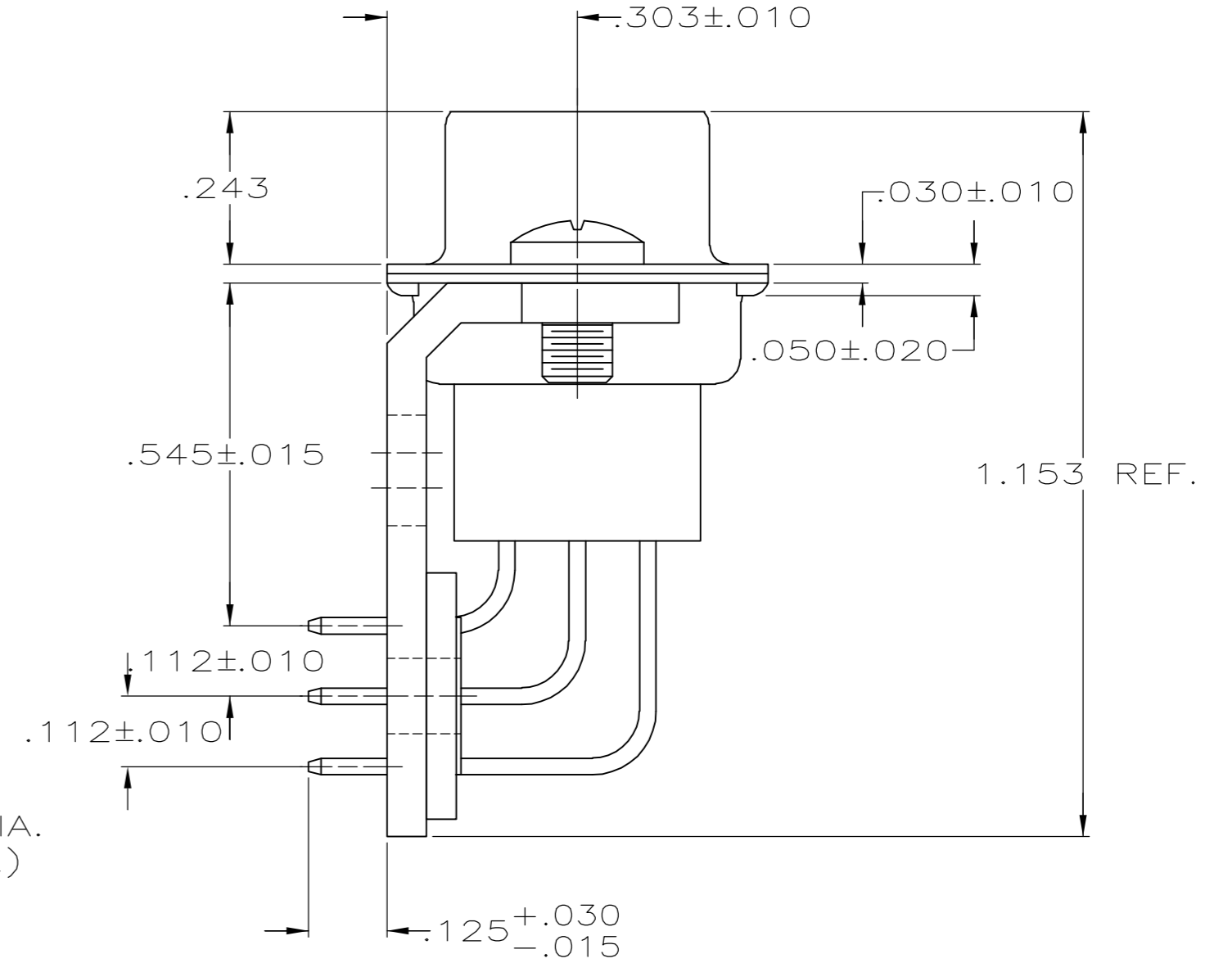
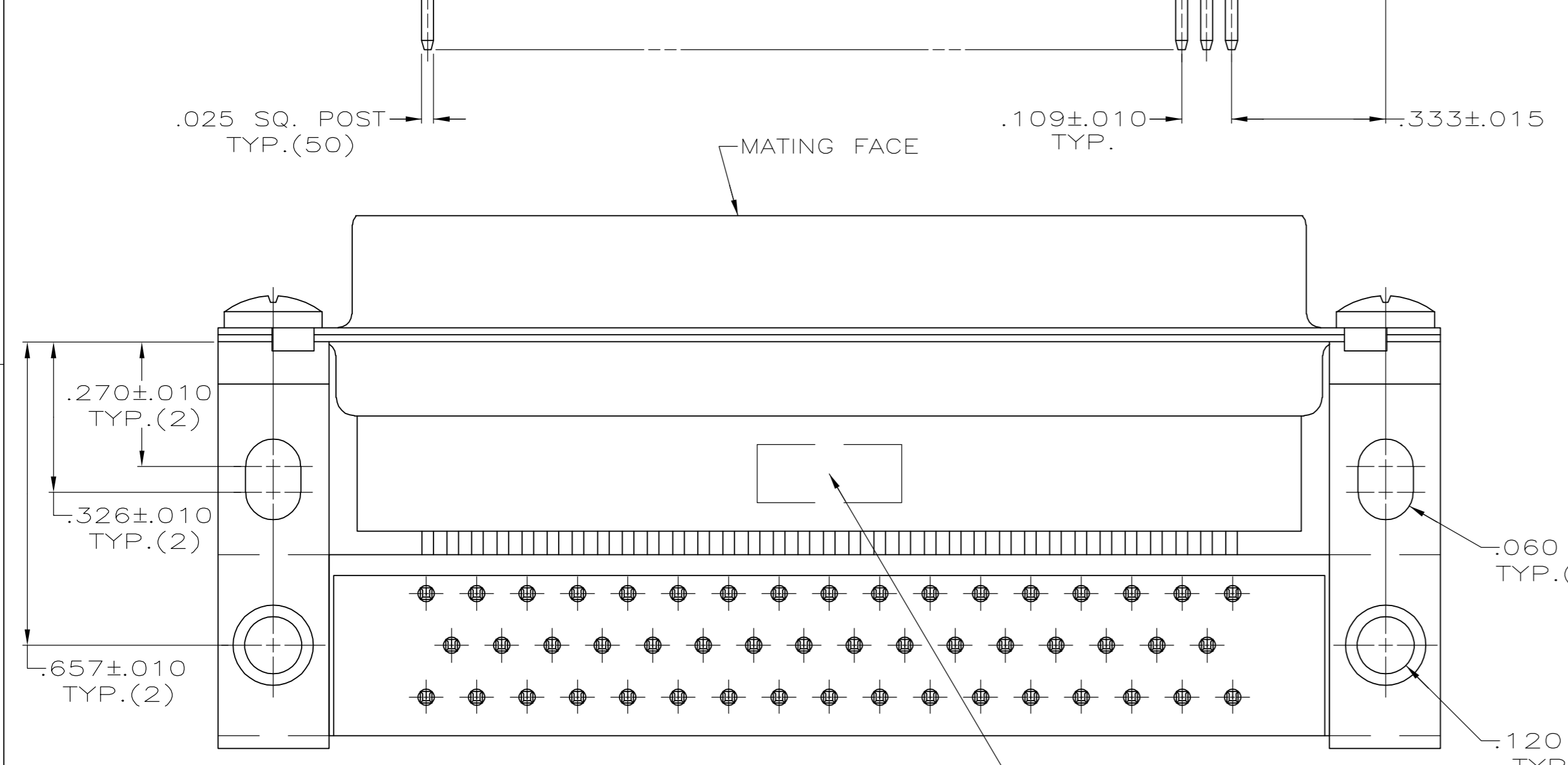


THIS DRAWING IS UNPUBLISHED. RELEASED FOR PUBLICATION
 © COPYRIGHT BY TYCO ELECTRONICS CORPORATION. ALL RIGHTS RESERVED.

LOC		DIST		REVISIONS			
GP	00	P	LTR	DESCRIPTION	DATE	DWN	APVD
		J		REVISED PER ECO-06-028338	11/DEC/06	ZMR	EDB



1. CONNECTOR MATES WITH ANY 50 POS. PLUG IN AMPLIMITE SERIES & COMPLIES WITH AMP SPEC. 108-40,005 WHERE APPLICABLE.
2. MOLDED PARTS: FLAME RETARDANT 94V-0 RATED THERMOPLASTIC; COLOR, BLACK. SHELLS AND BRACKETS: STEEL. CONTACTS: PHOS. BRONZE.
3. .000200 MIN TIN OR TIN-LEAD OVER .000100 MIN COPPER.
4. GOLD PLATED FOR A LENGTH OF .100 MIN FROM MATING END, .000100 MIN TIN-LEAD ON OPPOSITE END, ALL OVER .000050 MIN NICKEL.
5. .000030 MIN GOLD FOR A LENGTH OF .100 MIN FROM MATING END, .000100 MIN TIN-LEAD ON OPPOSITE END, ALL OVER .000050 MIN NICKEL -OR- GOLD FLASH OVER .000030 MIN PALLADIUM NICKEL PLATED FOR LENGTH OF .100 MIN FROM MATING END, .000100 MIN TIN-LEAD ON OPPOSITE END, ALL OVER .000050 NICKEL.



	5	745116-2
OBSOLETE	4	745116-1
CONTACT FINISH		PART NUMBER

THIS DRAWING IS A CONTROLLED DOCUMENT.		DWN	J. GERACE	12-19-83	 Tyco Electronics Corporation Harrisburg, PA 17105-3608
DIMENSIONS: INCHES		CHK	P. SWEIGARD	12-19-83	
TOLERANCES UNLESS OTHERWISE SPECIFIED:		APVD	J. ASSINI	3-15-84	
0 PLC ± - 1 PLC ± - 2 PLC ± - 3 PLC ± - 4 PLC ± - ANGLES ± 2°		PRODUCT SPEC	NAME		
MATERIAL		APPLICATION SPEC	RECEPTACLE ASSY, SIZE 5, 50 POS. RIGHT ANGLE, .545 SERIES, .025 SQ. POSTS, AMPLIMITE HDP		RESTRICTED TO
FINISH		WEIGHT	SIZE		CAGE CODE
SHELLS & BRACKETS: 3		A2		00779	DRAWING NO
CONTACTS: SEE TABLE		CUSTOMER DRAWING		C=745116	SCALE
		SHEET		1 of 1	REV
				J	