



Non-reversing motor starter Size 1 Three phase full voltage Solid-state overload relay OLRelay amp range 0.25-1A 208VAC 60HZ coil Combination type Water/dust tight non-corrosive

|                                                                         |                                          |
|-------------------------------------------------------------------------|------------------------------------------|
| product brand name                                                      | Class 14                                 |
| design of the product                                                   | Full-voltage non-reversing motor starter |
| special product feature                                                 | ESP200 overload relay                    |
| <b>General technical data</b>                                           |                                          |
| weight [lb]                                                             | 15 lb                                    |
| Height x Width x Depth [in]                                             | 13 × 13 × 5 in                           |
| touch protection against electrical shock                               | (NA for enclosed products)               |
| installation altitude [ft] at height above sea level maximum            | 6560 ft                                  |
| ambient temperature [°F]                                                |                                          |
| • during storage                                                        | -22 ... +149 °F                          |
| • during operation                                                      | -4 ... +104 °F                           |
| ambient temperature                                                     |                                          |
| • during storage                                                        | -30 ... +65 °C                           |
| • during operation                                                      | -20 ... +40 °C                           |
| country of origin                                                       | USA                                      |
| <b>Horsepower ratings</b>                                               |                                          |
| yielded mechanical performance [hp] for 3-phase AC motor                |                                          |
| • at 200/208 V rated value                                              | 0.17 hp                                  |
| • at 220/230 V rated value                                              | 0.17 hp                                  |
| • at 460/480 V rated value                                              | 0.33 hp                                  |
| • at 575/600 V rated value                                              | 0.5 hp                                   |
| <b>Contactors</b>                                                       |                                          |
| size of contactor                                                       | NEMA controller size 1                   |
| number of NO contacts for main contacts                                 | 3                                        |
| operating voltage for main current circuit at AC at 60 Hz maximum       | 600 V                                    |
| operational current at AC at 600 V rated value                          | 27 A                                     |
| mechanical service life (operating cycles) of the main contacts typical | 10000000                                 |
| <b>Auxiliary contact</b>                                                |                                          |
| number of NC contacts at contactor for auxiliary contacts               | 0                                        |
| number of NO contacts at contactor for auxiliary contacts               | 1                                        |
| number of total auxiliary contacts maximum                              | 8                                        |
| contact rating of auxiliary contacts of contactor according to UL       | 10A@600VAC (A600), 5A@600VDC (P600)      |
| <b>Coil</b>                                                             |                                          |
| type of voltage of the control supply voltage                           | AC                                       |
| control supply voltage                                                  |                                          |
| • at AC at 60 Hz rated value                                            | 208 V                                    |
| holding power at AC minimum                                             | 8.6 W                                    |
| apparent pick-up power of magnet coil at AC                             | 218 VA                                   |
| apparent holding power of magnet coil at AC                             | 25 VA                                    |

|                                                                          |              |
|--------------------------------------------------------------------------|--------------|
| operating range factor control supply voltage rated value of magnet coil | 0.85 ... 1.1 |
| percentual drop-out voltage of magnet coil related to the input voltage  | 50 %         |
| ON-delay time                                                            | 19 ... 29 ms |
| OFF-delay time                                                           | 10 ... 24 ms |

#### Overload relay

|                                                                                                                                                                                                                                |                                                                   |
|--------------------------------------------------------------------------------------------------------------------------------------------------------------------------------------------------------------------------------|-------------------------------------------------------------------|
| product function                                                                                                                                                                                                               |                                                                   |
| <ul style="list-style-type: none"> <li>• overload protection</li> <li>• phase failure detection</li> <li>• asymmetry detection</li> <li>• ground fault detection</li> <li>• test function</li> <li>• external reset</li> </ul> | <p>Yes</p> <p>Yes</p> <p>Yes</p> <p>Yes</p> <p>Yes</p> <p>Yes</p> |
| reset function                                                                                                                                                                                                                 | Manual, automatic and remote                                      |
| trip class                                                                                                                                                                                                                     | CLASS 5 / 10 / 20 (factory set) / 30                              |
| adjustable current response value current of the current-dependent overload release                                                                                                                                            | 0.25 ... 1 A                                                      |
| tripping time at phase-loss maximum                                                                                                                                                                                            | 3 s                                                               |
| relative repeat accuracy                                                                                                                                                                                                       | 1 %                                                               |
| product feature protective coating on printed-circuit board                                                                                                                                                                    | Yes                                                               |
| number of NC contacts of auxiliary contacts of overload relay                                                                                                                                                                  | 1                                                                 |
| number of NO contacts of auxiliary contacts of overload relay                                                                                                                                                                  | 1                                                                 |
| operational current of auxiliary contacts of overload relay                                                                                                                                                                    |                                                                   |
| <ul style="list-style-type: none"> <li>• at AC at 600 V</li> <li>• at DC at 250 V</li> </ul>                                                                                                                                   | <p>5 A</p> <p>1 A</p>                                             |
| contact rating of auxiliary contacts of overload relay according to UL                                                                                                                                                         | 5A@600VAC (B600), 1A@250VDC (R300)                                |
| insulation voltage (Ui)                                                                                                                                                                                                        |                                                                   |
| <ul style="list-style-type: none"> <li>• with single-phase operation at AC rated value</li> <li>• with multi-phase operation at AC rated value</li> </ul>                                                                      | <p>600 V</p> <p>300 V</p>                                         |

#### Enclosure

|                                                   |                                                  |
|---------------------------------------------------|--------------------------------------------------|
| design of the housing                             | Extra-wide                                       |
| degree of protection NEMA rating of the enclosure | Extra-wide NEMA 4X 304 stainless steel enclosure |
| design of the housing                             | Dust-tight, watertight & corrosion resistant     |

#### Mounting/wiring

|                                                                                                                          |                                                    |
|--------------------------------------------------------------------------------------------------------------------------|----------------------------------------------------|
| mounting position                                                                                                        | Vertical                                           |
| fastening method                                                                                                         | Surface mounting and installation                  |
| type of electrical connection for supply voltage line-side                                                               | Screw-type terminals                               |
| tightening torque [lbf-in] for supply                                                                                    | 35 ... 35 lbf-in                                   |
| type of connectable conductor cross-sections at line-side for AWG cables single or multi-stranded                        | 1x(14 - 2 AWG)                                     |
| temperature of the conductor for supply maximum permissible                                                              | 75 °C                                              |
| material of the conductor for supply                                                                                     | AL or CU                                           |
| type of electrical connection for load-side outgoing feeder                                                              | Screw-type terminals                               |
| tightening torque [lbf-in] for load-side outgoing feeder                                                                 | 20 ... 24 lbf-in                                   |
| type of connectable conductor cross-sections for AWG cables for load-side outgoing feeder single or multi-stranded       | 2 x (14 - 10 AWG)                                  |
| temperature of the conductor for load-side outgoing feeder maximum permissible                                           | 75 °C                                              |
| material of the conductor for load-side outgoing feeder                                                                  | CU                                                 |
| type of electrical connection of magnet coil                                                                             | screw-type terminals                               |
| tightening torque [lbf-in] at magnet coil                                                                                | 5 ... 12 lbf-in                                    |
| type of connectable conductor cross-sections of magnet coil for AWG cables single or multi-stranded                      | 2 x (16 - 12 AWG)                                  |
| temperature of the conductor at magnet coil maximum permissible                                                          | 75 °C                                              |
| material of the conductor at magnet coil                                                                                 | CU                                                 |
| type of electrical connection for auxiliary contacts                                                                     | screw-type terminals                               |
| tightening torque [lbf-in] at contactor for auxiliary contacts                                                           | 10 ... 15 lbf-in                                   |
| type of connectable conductor cross-sections at contactor for AWG cables for auxiliary contacts single or multi-stranded | 1 x (12 AWG), 2 x (16 - 14 AWG), 2 x (18 - 16 AWG) |
| temperature of the conductor at contactor for auxiliary contacts maximum permissible                                     | 75 °C                                              |

|                                                                                                                               |                      |
|-------------------------------------------------------------------------------------------------------------------------------|----------------------|
| material of the conductor at contactor for auxiliary contacts                                                                 | CU                   |
| type of electrical connection at overload relay for auxiliary contacts                                                        | screw-type terminals |
| tightening torque [lbf-in] at overload relay for auxiliary contacts                                                           | 7 ... 10 lbf-in      |
| type of connectable conductor cross-sections at overload relay for AWG cables for auxiliary contacts single or multi-stranded | 2 x (20 - 14 AWG)    |
| temperature of the conductor at overload relay for auxiliary contacts maximum permissible                                     | 75 °C                |
| material of the conductor at overload relay for auxiliary contacts                                                            | CU                   |

#### Short-circuit current rating

|                                                                                   |                                                     |
|-----------------------------------------------------------------------------------|-----------------------------------------------------|
| design of the fuse link for short-circuit protection of the main circuit required | 10kA@600V (Class H or K); 100kA@600V (Class R or J) |
| design of the short-circuit trip                                                  | Thermal magnetic circuit breaker                    |
| maximum short-circuit current breaking capacity (I <sub>cu</sub> )                |                                                     |
| • at 240 V                                                                        | 14 kA                                               |
| • at 480 V                                                                        | 10 kA                                               |
| • at 600 V                                                                        | 10 kA                                               |
| certificate of suitability                                                        | NEMA ICS 2; UL 508; CSA 22.2, No.14                 |

#### Further information

Industrial Controls - Product Overview (Catalogs, Brochures,...)

[www.usa.siemens.com/iccatalog](http://www.usa.siemens.com/iccatalog)

Industry Mall (Online ordering system)

<https://mall.industry.siemens.com/mall/en/us/Catalog/product?mifb=US2:14DUA82WD>

Service&Support (Manuals, Certificates, Characteristics, FAQs,...)

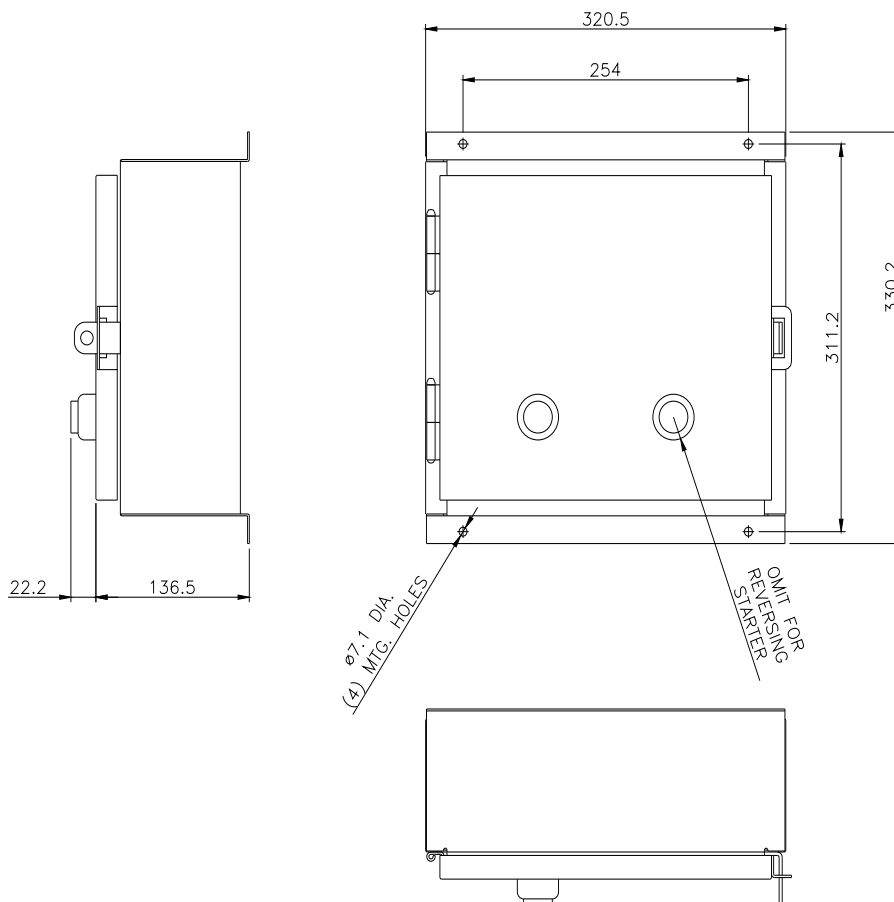
<https://support.industry.siemens.com/cs/US/en/ps/US2:14DUA82WD>

Image database (product images, 2D dimension drawings, 3D models, device circuit diagrams, EPLAN macros, ...)

[http://www.automation.siemens.com/bilddb/cax\\_de.aspx?mifb=US2:14DUA82WD&lang=en](http://www.automation.siemens.com/bilddb/cax_de.aspx?mifb=US2:14DUA82WD&lang=en)

Certificates/approvals

<https://support.industry.siemens.com/cs/US/en/ps/US2:14DUA82WD/certificate>





last modified:

11/29/2021 