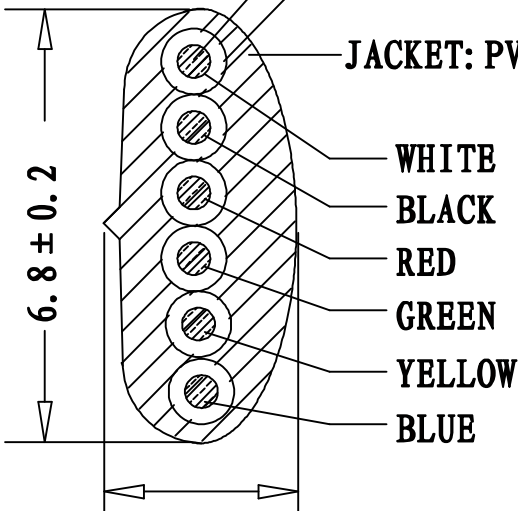


CONDUCTOR: [26AWG (0.12X12) BARE COPPER] X6C

INSULATION: [PP6331 ID: 0.95 ~ 1.0] X6C

JACKET: PVC NOUL 80P (Flexible material)



PART NO	DRAWING NO	BUYER COLOR	VENDOR COLOR	RETRACTED ("L3") LENGTH	CUSTOMER Accepted ("L2")	CUT LENGTH "L1"
521-26-06-WH-005F	A	White	W-103 LIGHT	540 ± 50	5.0FT-5.75FT	2600-2700
521-26-06-WH-007F	B	White	W-103 LIGHT	740 ± 50	7.0FT-8.05FT	3700-3900
521-26-06-WH-010F	C	White	W-103 LIGHT	1000 ± 50	10.0FT-11.5FT	5000-5200
521-26-06-WH-014F	D	White	W-103 LIGHT	1350 ± 50	14.0FT-16.1FT	6900-7100

REVISE	VERSION	BASIS	CONTENTS
12-02-17	A/0	T0210A	NEW DRAWING

CnC Tech, LLC	
Industrial Cable and Connector Technology	
IDRAWING NO: 671-280	CUSTOMER: L-671
ITEM NO: 6C COILD CORD	UNIT: mm
DATE: 2012-02-17	ISSUE: (A/0)
DRAWN: QE:	QA:
SALES DEPT:	SALES MANAGER: