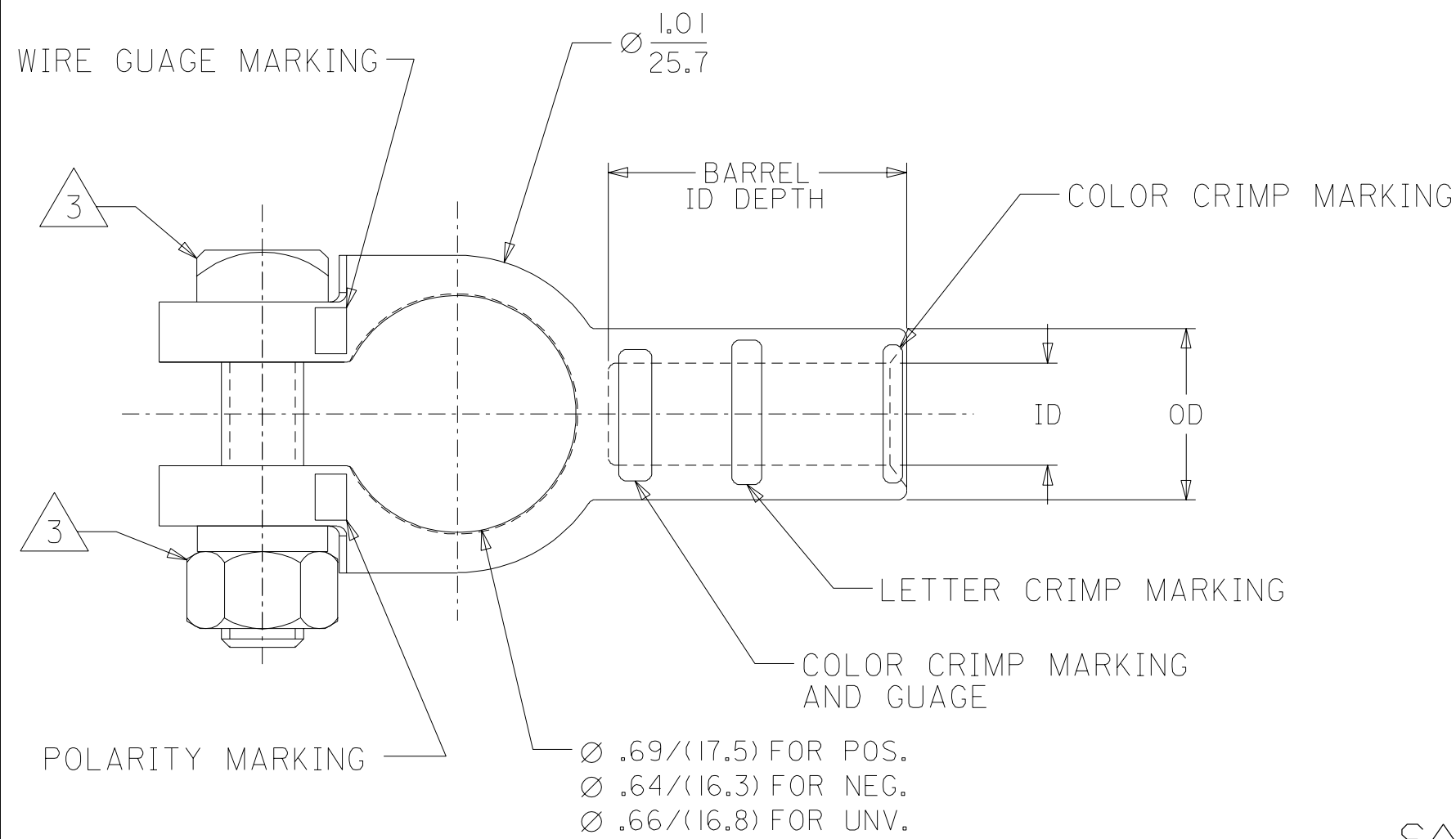
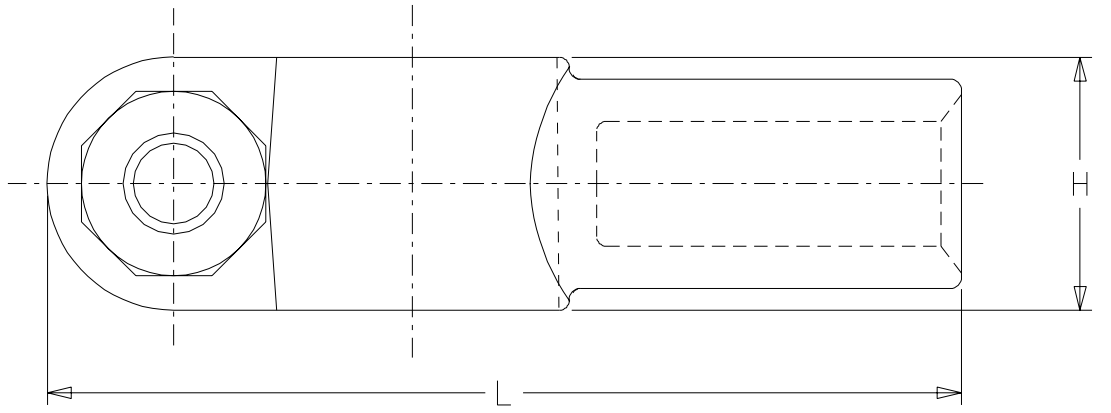


MATERIAL NUMBER			WIRE GAUGE MARKING	COLOR CRIMP MARKING	BARREL ID	BARREL OD	BARREL ID DEPTH	L +.060, -.010 (+1.52, -0.25)	H
NEGATIVE	POSITIVE	UNIVERSAL							
192180021	192180022	192180023	8	GREY	.16/(4.1)	.45/(11.4)	Ⓣ.94/(23.9)	Ⓣ2.36/(60.0)	.53/(13.5)
192180018	192180019	192180020	6	GREY	.22/(5.6)	.45/(11.4)	.97/(24.6)	2.38/(60.5)	.53/(13.5)
192180015	192180016	192180017	4	GREY	.26/(6.6)	.45/(11.4)	.97/(24.6)	2.38/(60.5)	.53/(13.5)
192180012	192180013	192180014	2	GREEN	.34/(8.6)	.55/(14.0)	.94/(23.9)	Ⓣ2.42/(61.5)	.65/(16.5)
192180009	192180010	192180011	1	PINK	.39/(9.9)	.55/(14.0)	.94/(23.9)	Ⓣ2.42/(61.5)	.65/(16.5)
192180024	192180025	-	1/0	BLACK	.47/(11.9)	.65/(16.5)	.94/(23.9)	Ⓣ2.42/(61.5)	.65/(16.5)
192180026	192180027	-	2/0	ORANGE	.50/(12.7)	.65/(16.5)	.94/(23.9)	Ⓣ2.42/(61.5)	.65/(16.5)
192180028	192180029	-	3/0	PURPLE	.53/(13.5)	.65/(16.5)	.94/(23.9)	Ⓣ2.42/(61.5)	.65/(16.5)
192180030	192180031	-	4/0	YELLOW	.60/(15.2)	.83/(21.1)	.94/(23.9)	Ⓣ2.35/(59.7)	.71/(18.0)
192180032	192180092	-	6/0	YELLOW	.67/(17.0)	.83/(21.1)	Ⓣ.94/(23.9)	Ⓣ2.35/(59.7)	.71/(18.0)



- NOTES:
1. MATERIAL: DIE CAST COPPER
 2. FINISH: TIN PLATED
 3. INCLUDES 5/16 BOLT AND SHOULDER NUT. BOLT AND NUT ARE REVERSABLE

SALES DRAWING



REVISED DESIGN EC NO. ETC2003-0284 DRWN: BRE 02/05/20 CHK: HEB 02/05/20 APPR: RWD 02/05/20	QUALITY SYMBOLS MAJOR $\blacktriangledown = 0$ CRITICAL $\blacktriangle = 0$	GENERAL TOLERANCES: (UNLESS SPECIFIED)		SCALE 4:1	DESIGN UNITS <input type="checkbox"/> mm <input checked="" type="checkbox"/> INCH	THIRD ANGLE PROJECTION	DIMENSIONS: <input type="checkbox"/> mm <input checked="" type="checkbox"/> INCH <input type="checkbox"/> mm ONLY	SHT REV		
		4 PLACES $\pm 0.$ $\pm .$	3 PLACES $\pm 0.$ ± 0.15	2 PLACES ± 0.38 ± 0.3	1 PLACE ± 0.76 $\pm .$	DRAWN BY & DATE DAY 99/03/10	CHECKED BY & DATE RWD 99/03/10	TITLE: DIE CAST COPPER BATTERY TERMINAL TOP POST		
		ANGULAR: $\pm 1/2^\circ$				APPROVED BY & DATE RWD 99/03/10	MOLEX INCORPORATED			
		DRAFT WHERE APPLICABLE MUST REMAIN WITHIN DIMENSIONS				CAD FILENAME SD-19218-003 .DGN	MATERIAL NO. SEE CHART	DRAWING NO. SD-19218-003	SHEET NO. 1 OF 1	