

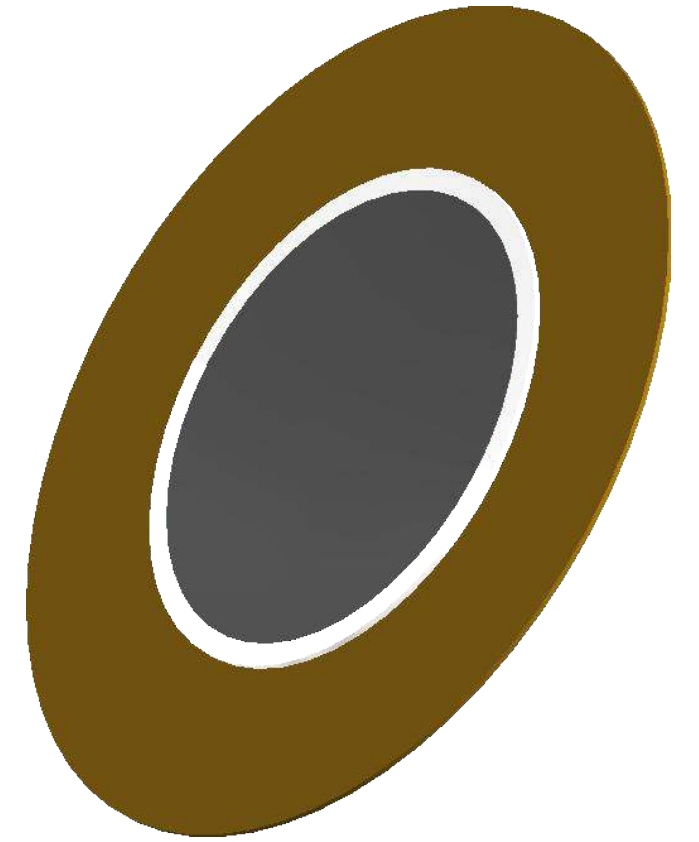
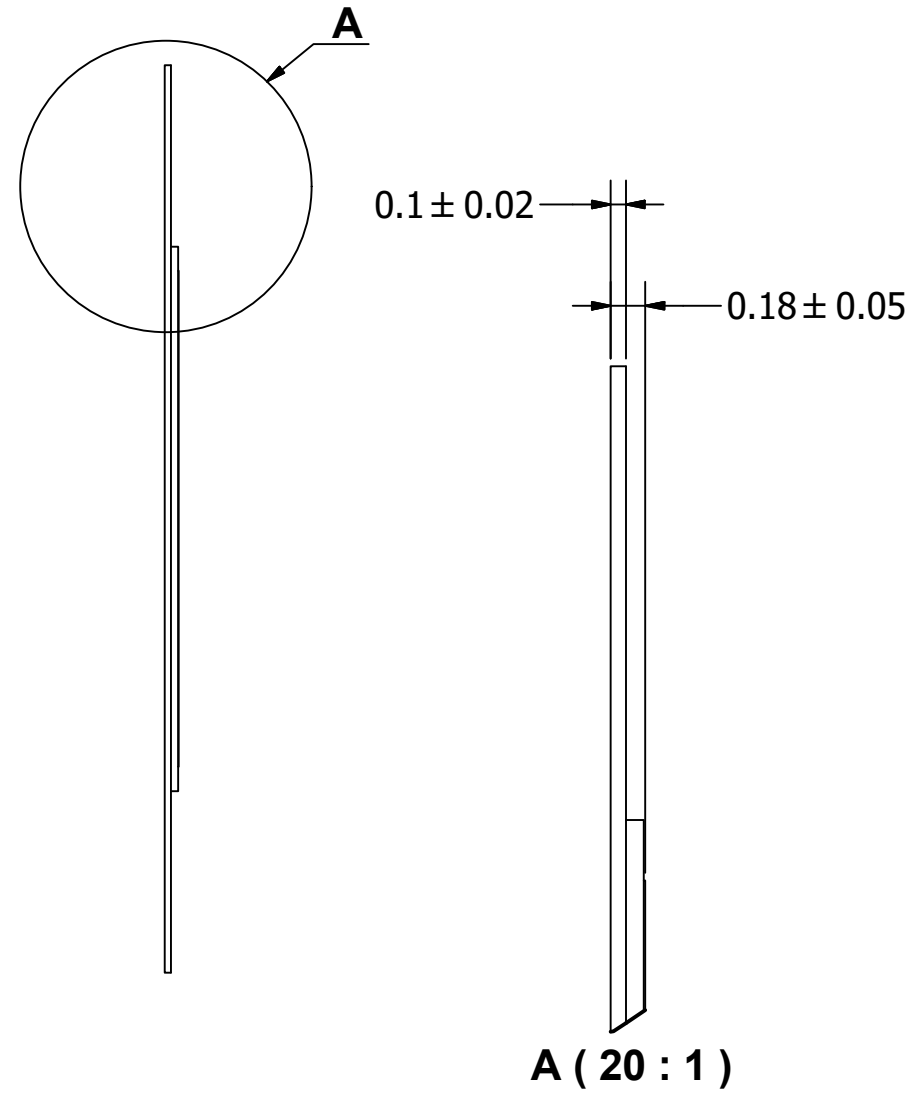
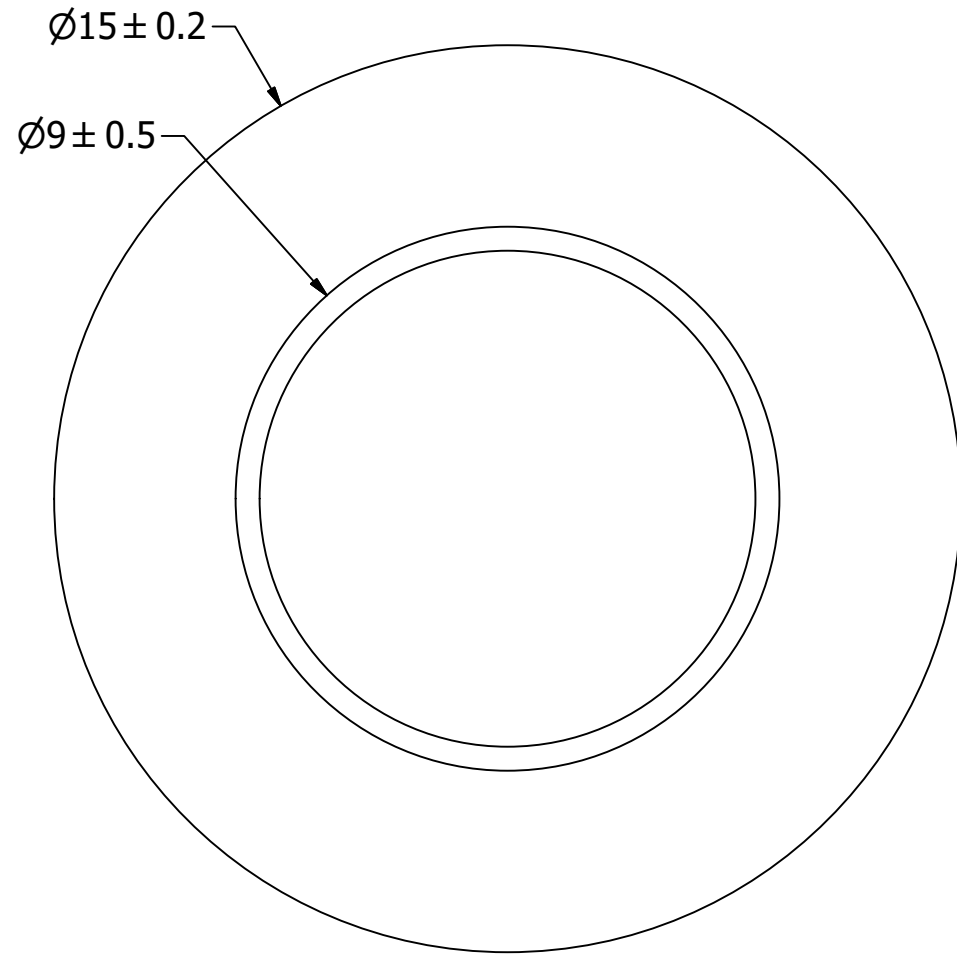
SPECIFICATIONS

PARAMETERS	VALUES	UNITS
RESONANT FREQUENCY	4,100 ± 500	Hz
RESONANT IMPEDANCE (MAX)	1,000	Ohm
MAX INPUT VOLTAGE	30	Vp-p
CAPACITANCE @ 1KHZ	8,000 ± 30%	pF
PLATE MATERIAL	BRASS	-
OPERATING TEMPERATURE	-20 ~ +60	°C
STORAGE TEMPERATURE	-20 ~ +70	°C

THIS DOCUMENT CONTAINS DATA PROPRIETARY TO PROJECTS UNLIMITED, INC. ANY USE OR REPRODUCTION, IN ANY FORM, WITHOUT PRIOR WRITTEN PERMISSION OF PROJECTS UNLIMITED, INC. IS PROHIBITED.
©2003, Projects Unlimited Inc.

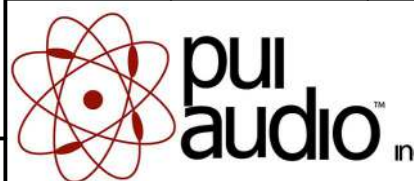
REVISION HISTORY

LTR	DESCRIPTION	DATE	APPROVED
-	RELEASED FROM ENGINEERING	5/22/2001	
A	REVISED TO NEW TEMPLATE	8/29/2003	R.W.
B	REVISED SPECIFICATIONS	1/8/2004	R.W.
C	REVISED DIMENSION SIZE AND STYLE	1/12/2006	B.R.
D	REVISED TO INVENTOR 3-D DRAWING TEMPLATE	8/9/2010	B.R.
E	REVISED DIMENSIONS AND MAX INPUT VOLTAGE	1/4/2018	M.V.
F	REVISED THICKNESS DIMENSION	10/25/2018	M.L.
G	REVISED STORAGE TEMPERATURE	2/11/2020	M.V.



NOTES:

1. ALL DIMENSIONS ARE IN MILLIMETERS.
2. SPECIFICATIONS SUBJECT TO CHANGE OR WITHDRAWL WITHOUT NOTICE.
3. THIS PART IS RoHS 2011/65/EU COMPLIANT.

UNLESS OTHERWISE SPECIFIED: DIMENSIONS ARE IN MILLIMETERS, TOLERANCES ARE ±0.5 AND ANGLES ARE ±3°.	SIZE A3	Designed by	Date	Checked by	Date	Approved by	Date	Drawn Date	
		RABL	5/22/2001			S.J.	5/22/2001	8/9/2010	
AB1541.idw				AB1541					
		Bender				Edition		Sheet	
						-		1 / 1	