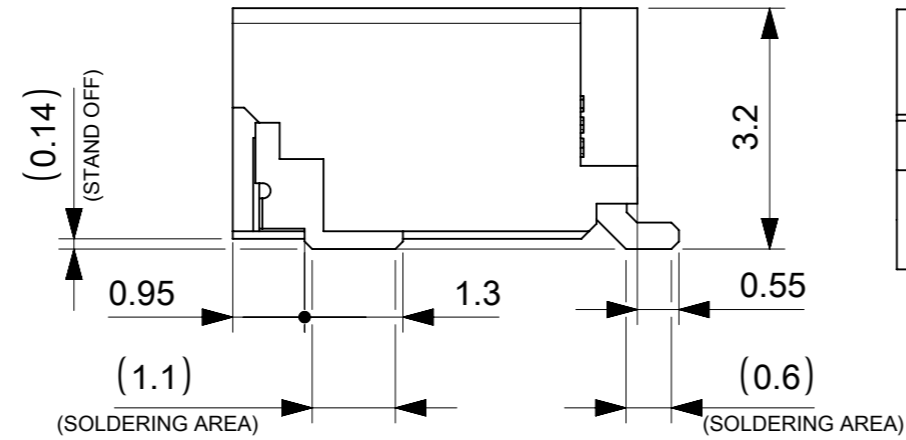
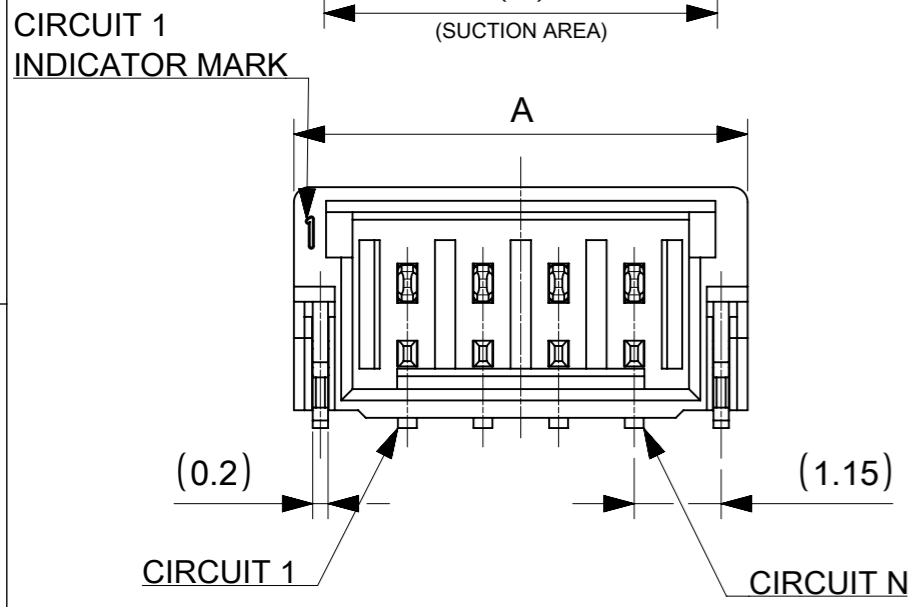
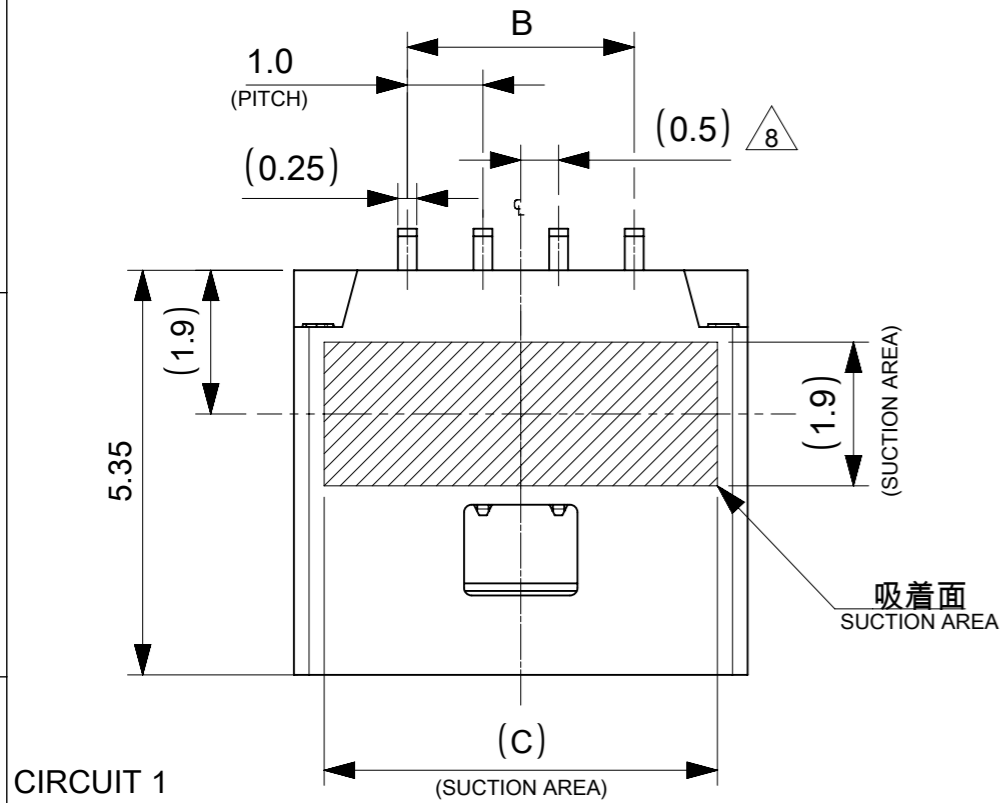


NOTES

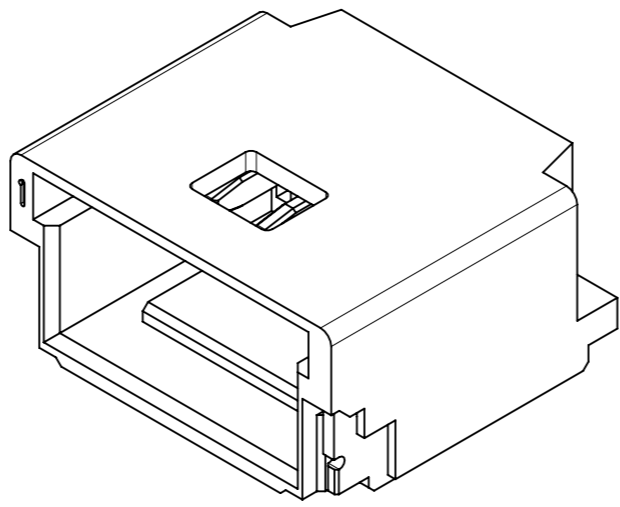
- 本製品は極数によって、ロック形状が変わりますので御注意願います。
THE LOCK SHAPE OF THIS PRODUCT CHANGES ACCORDING TO THE NUMBER OF CIRCUIT.
2~5 CIRCUITS : フリクションロック FRICTION LOCK
6~15 CIRCUITS : インナーポジティブロック INNER POSITIVE LOCK
- 材料及び仕上げ(めっき仕様) : TABLE 1,2 参照
MATERIAL AND FINISHES : SEE TABLE 1 AND 2
- 製品仕様書 : 2023960000 PS 000
PRODUCT SPECIFICATION:
- 梱包形態 : SEE SHEET 4
PACKAGING INFORMATION:
- 嵌合相手 : 501330 シリーズ
MATES WITH:501330 SERIES
- アプリケーション仕様書(コネクタ取扱い説明書) : 5013300000-AS 000
APPLICATION SPECIFICATION(CONNECTOR MANUAL):
- ソルダーピン及びネイルの平坦度:0.1 MAX.
SOLDER PIN AND NAIL COPLANARITY: 0.1 MAX.
- 偶数極に適用
APPLY FOR EVEN CIRCUIT
- その他金めっき厚品及び錫めっき品は以下の図面を御参照ください。
PLEASE REFER TO THE FOLLOWING DRAWING FOR OTHER GOLD PLATING VERSION AND TIN PLATING VERSION.



PLATING	PLATING THICKNESS [micro-meter MIN.]	SERIES No.	DRAWING No.
TIN	1.0	501568	5015680000-SD PSD 000
GOLD	0.38	203558	2035580000-SD PSD 000
	0.76	203559	2035590000-SD PSD 000

TABLE 1

番号 NO.	部品 PART	材質 MATERIAL	
①	ウエハー WAFER	ポリアミド(PA), UL94V-0, 色 : SEE SHEET 6 POLYAMIDE(PA), UL94V-0, COLOR : SEE SHEET 6	
②	ソルダーピン SOLDER PIN	リン青銅 PHOSPHOR BRONZE	
		接点部 CONTACT AREA	金めっき : 0.1 MICRO-METER MIN. GOLD PLATING
		テール部 TAIL AREA	金めっき : 0.05 MICRO-METER MIN. GOLD PLATING
	下地めっき UNDER PLATING	ニッケルめっき : 1.27 MICRO-METER MIN. NICKEL	
③	ネイル NAIL	黄銅 BRASS	
		テール部 TAIL AREA	錫めっき : 1.0 MICRO-METER MIN. MATTE TIN PLATING
		下地めっき UNDER PLATING	ニッケルめっき : 1.0 MICRO-METER MIN. NICKEL



6.2	4.0	7.0	5
5.2	3.0	6.0	4
4.2	2.0	5.0	3
3.2	1.0	4.0	2
C	B	A	極数 CIRCUIT SIZE

THIS DRAWING CONTAINS INFORMATION THAT IS PROPRIETARY TO MOLEX ELECTRONIC TECHNOLOGIES, LLC AND SHOULD NOT BE USED WITHOUT WRITTEN PERMISSION

DIMENSION UNITS	SCALE	CURRENT REV DESC:	
mm	NTS		
GENERAL TOLERANCES (UNLESS SPECIFIED)		EC NO: 698195	
ANGULAR TOL ± 3.0°		DRWN: MIKEDA01 2022/02/28	
4 PLACES ± 0.2		CHK'D: SAKIYAMA 2022/03/08	
3 PLACES ± 0.2		APPR: AIDA 2022/03/08	
2 PLACES ± 0.2		INITIAL REVISION:	
1 PLACE ± 0.2		DRWN: AISHIKAWA 2019/04/02	
0 PLACES ± 0.2		APPR: KOMURAKAMI 2019/04/05	
DRAFT WHERE APPLICABLE MUST REMAIN WITHIN DIMENSIONS		THIRD ANGLE PROJECTION	DRAWING
		A3-SIZE	SERIES
		202396	MATERIAL NUMBER
		SEE SHEET 6	CUSTOMER
			SHEET NUMBER
			1 OF 6

molex

PICO-CLASP 1.0 W/B
SINGLE ROW RA SMT INNER LOCK GOLD PLATING
0.1 MICRO-METER

PRODUCT CUSTOMER DRAWING

DOCUMENT NUMBER: 2023960000-SD
DOC TYPE: PSD
DOC PART: 000
REVISION: C

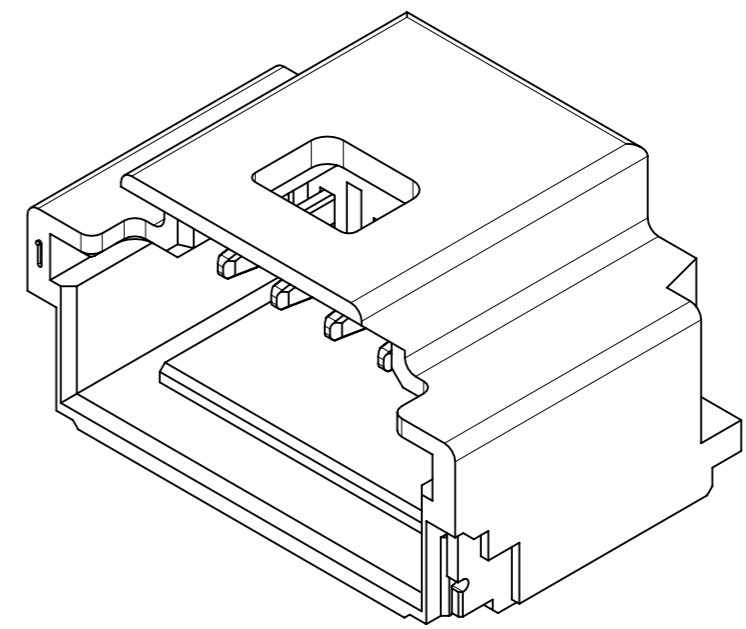
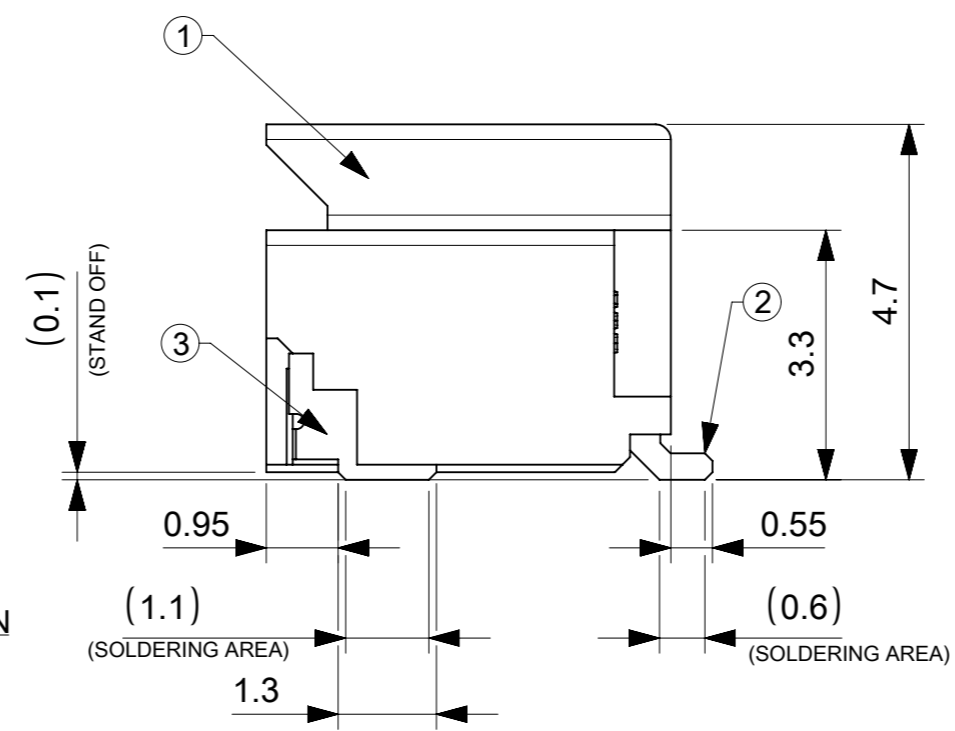
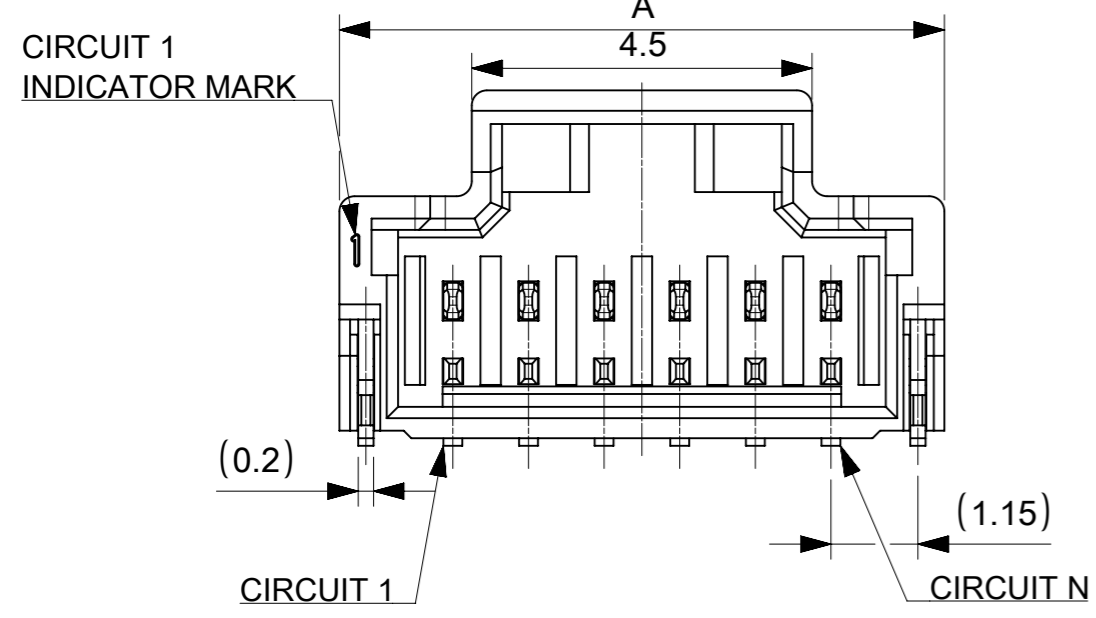
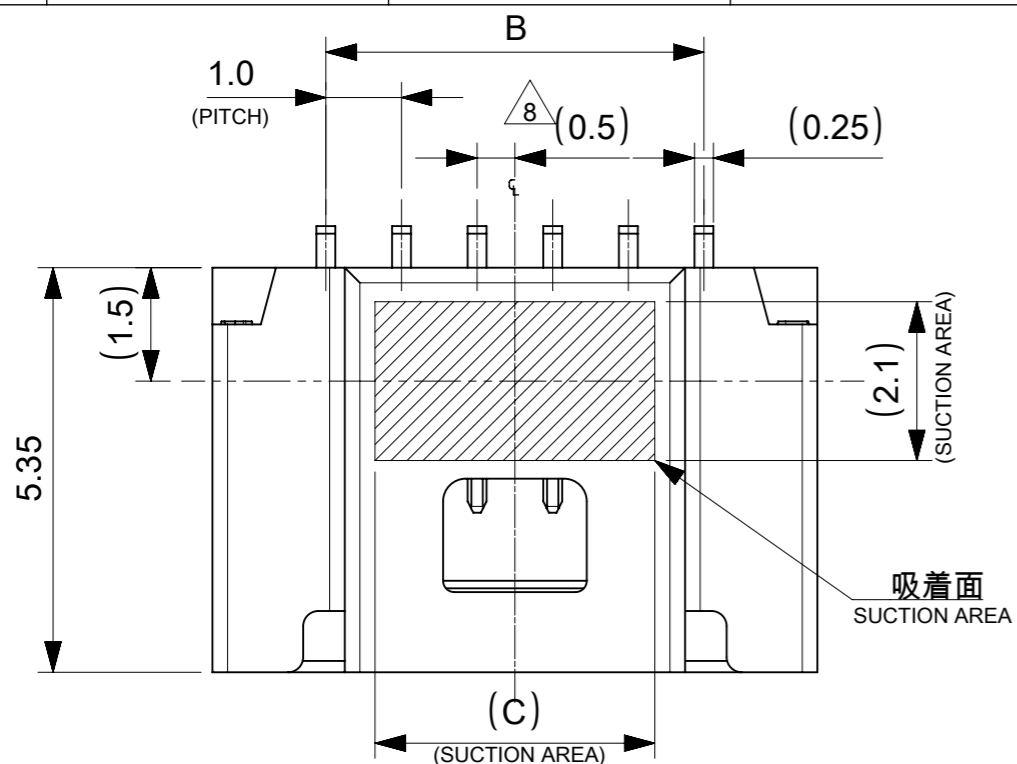


TABLE 2

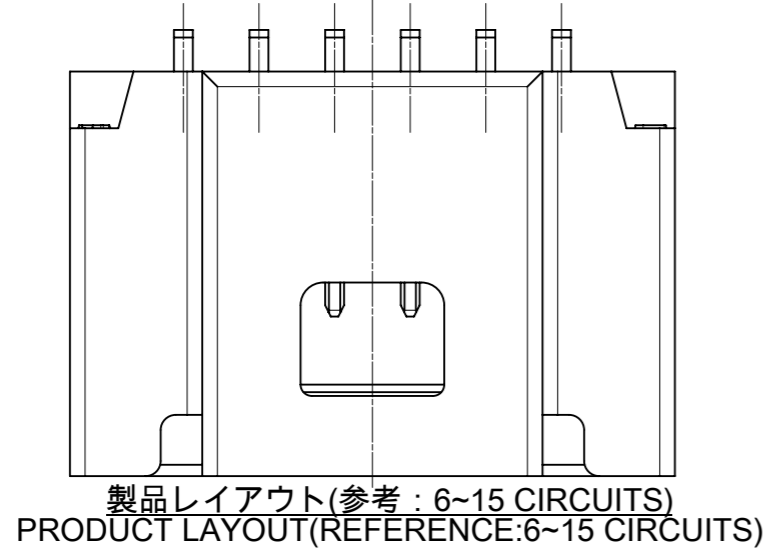
12.7	14.0	17.0	15
11.7	13.0	16.0	14
10.7	12.0	15.0	13
9.7	11.0	14.0	12
8.7	10.0	13.0	11
7.7	9.0	12.0	10
6.7	8.0	11.0	9
5.7	7.0	10.0	8
4.7	6.0	9.0	7
3.7	5.0	8.0	6
C	B	A	極数 CIRCUIT SIZE

番号 NO.	部品 PART	材質 MATERIAL	
①	ウエハー WAFER	ポリアミド(PA), UL94V-0, 色 : SEE SHEET 6 POLYAMIDE(PA), UL94V-0, COLOR : SEE SHEET 6	
②	ソルダーピン SOLDER PIN	リン青銅 PHOSPHOR BRONZE	
		接点部 CONTACT AREA	金めっき : 0.1 MICRO-METER MIN. GOLD PLATING
		テール部 TAIL AREA	金めっき : 0.05 MICRO-METER MIN. GOLD PLATING
	下地めっき UNDER PLATING	ニッケルめっき : 1.27 MICRO-METER MIN. NICKEL	
③	ネイル NAIL	黄銅 BRASS	
		テール部 TAIL AREA	錫めっき : 1.0 MICRO-METER MIN. MATTE TIN PLATING
		下地めっき UNDER PLATING	ニッケルめっき : 1.0 MICRO-METER MIN. NICKEL

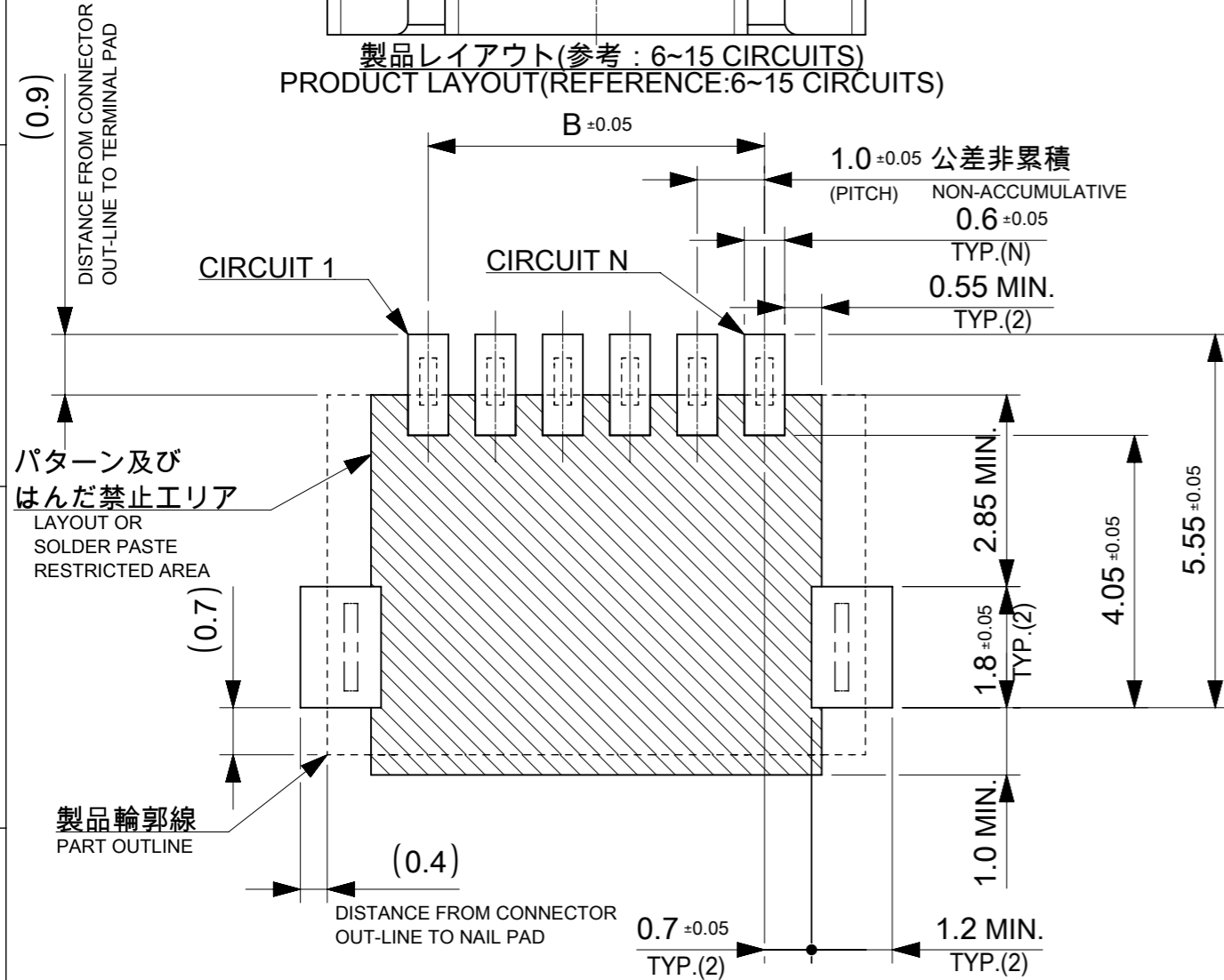
THIS DRAWING CONTAINS INFORMATION THAT IS PROPRIETARY TO MOLEX ELECTRONIC TECHNOLOGIES, LLC AND SHOULD NOT BE USED WITHOUT WRITTEN PERMISSION

DIMENSION UNITS mm	SCALE NTS	CURRENT REV DESC:		molex			
GENERAL TOLERANCES (UNLESS SPECIFIED)		EC NO: 698195					
ANGULAR TOL ± 3.0°	4 PLACES ± 0.2	DRWN: MIKEDA01	2022/02/28	PRODUCT CUSTOMER DRAWING			
3 PLACES ± 0.2	2 PLACES ± 0.2	CHK'D: SAKIYAMA	2022/03/08	DOCUMENT NUMBER			
2 PLACES ± 0.2	1 PLACE ± 0.2	APPR: AIDA	2022/03/08	2023960000-SD			
1 PLACE ± 0.2	0 PLACES ± 0.2	INITIAL REVISION:		DOC TYPE	DOC PART	REVISION	
DRAFT WHERE APPLICABLE MUST REMAIN WITHIN DIMENSIONS		DRWN: AISHIKAWA	2019/04/02	PSD	000	C	
THIRD ANGLE PROJECTION		APPR: KOMURAKAMI	2019/04/05	MATERIAL NUMBER		CUSTOMER	
DRAWING		SERIES		SHEET NUMBER		2 OF 6	
A3-SIZE		202396		SEE SHEET 6			

嵌合相手 : 501330シリーズ
MATE WITH : 501330 SERIES



製品レイアウト(参考: 6~15 CIRCUITS)
PRODUCT LAYOUT(REFERENCE: 6~15 CIRCUITS)




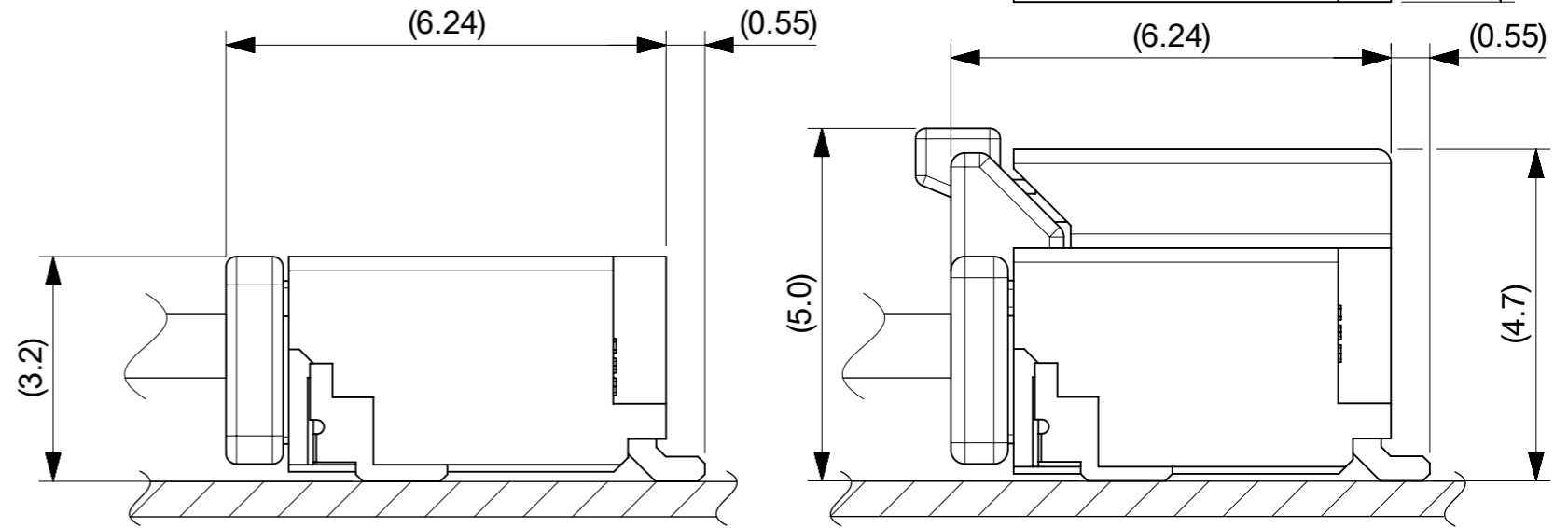
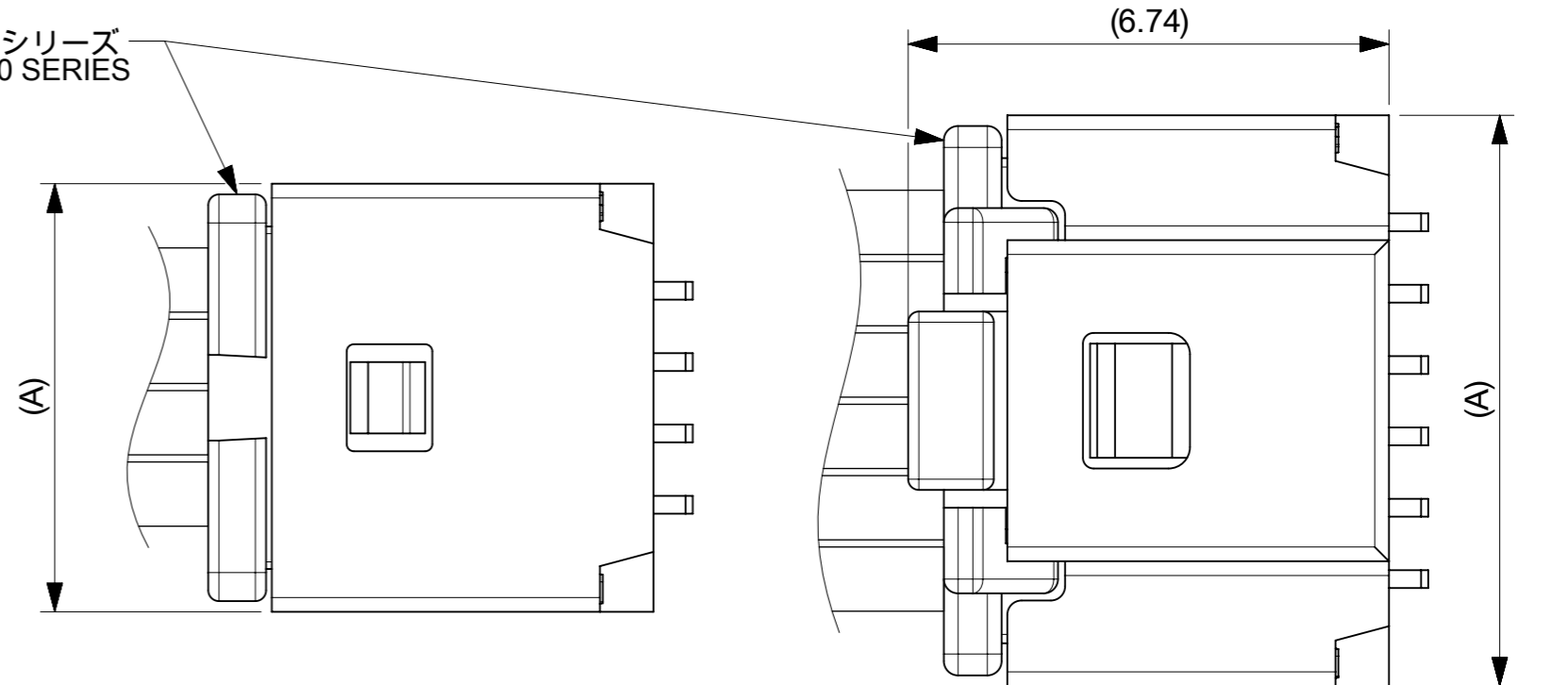
パターン及び
はんだ禁止エリア
LAYOUT OR
SOLDER PASTE
RESTRICTED AREA

製品輪郭線
PART OUTLINE

推奨基板レイアウト(全極数適用) : 実装面側
(参考 : 基板厚 1.0mm, メタルマスク厚さ 0.12mm, マスク開口率100%)

POLARIZED RECOMMENDED PCB LAYOUT(APPLY TO ALL CIRCUITS) : COMPONENT SIDE
(REFERENCE: PCB THICKNESS 1.0mm, STENCIL THICKNESS 0.12mm, APERTURE RATIO 100%)

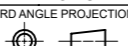
 :パターン禁止エリア
RESTRICTED AREA
NO PCB COMPONENTS ALLOWED

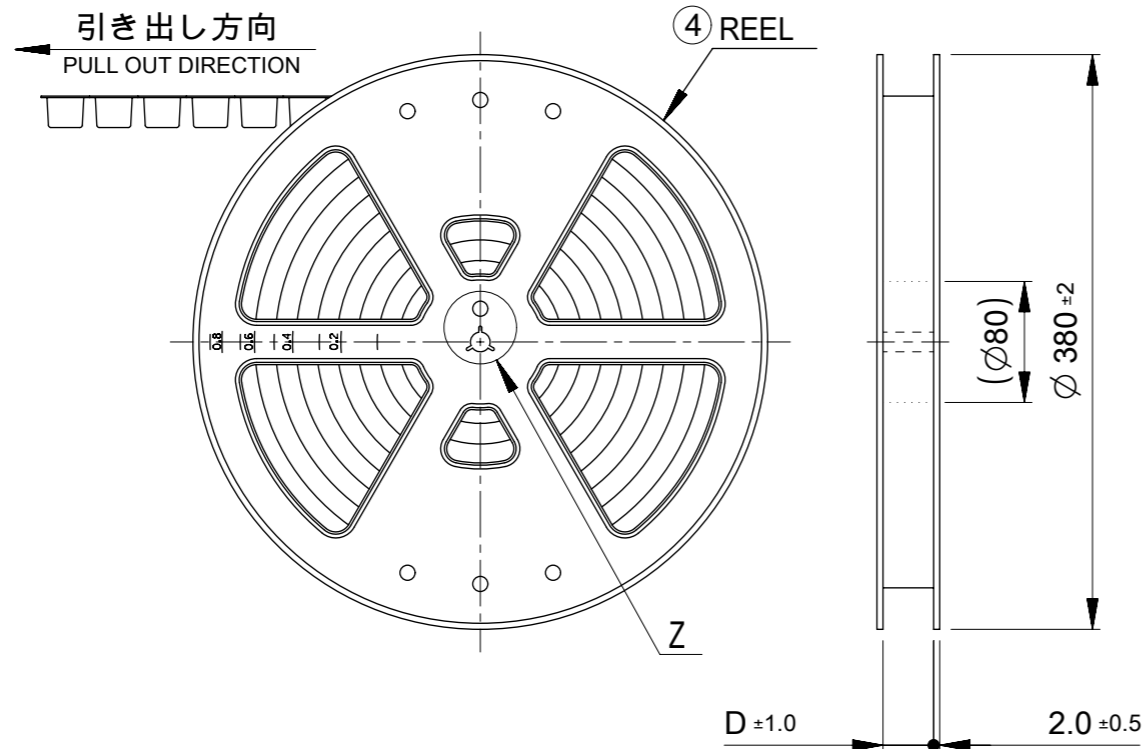


a) 2~5 CIRCUITS

b) 6~15 CIRCUITS

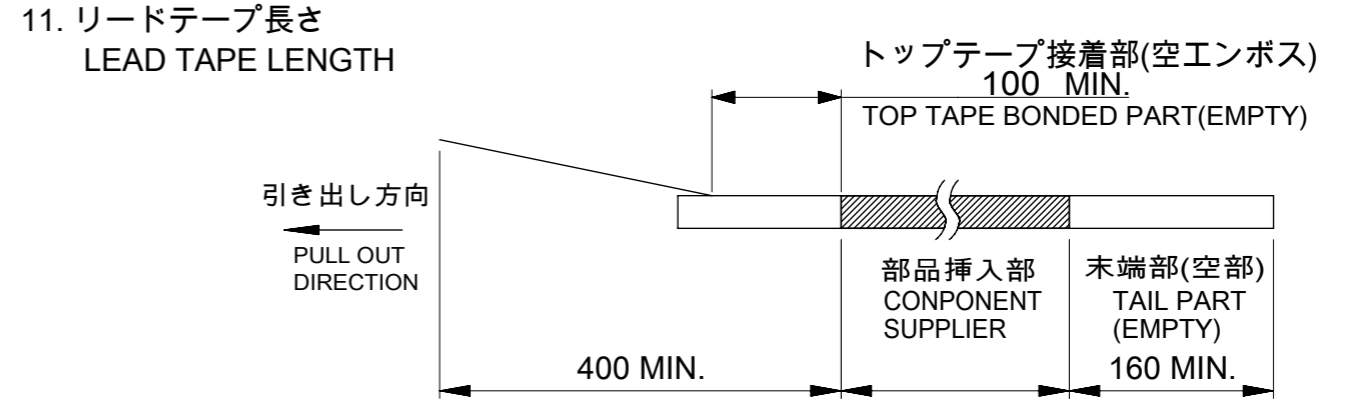
嵌合図
MATED CONNECTORS

THIS DRAWING CONTAINS INFORMATION THAT IS PROPRIETARY TO MOLEX ELECTRONIC TECHNOLOGIES, LLC AND SHOULD NOT BE USED WITHOUT WRITTEN PERMISSION		CURRENT REV DESC:		molex	
DIMENSION UNITS	SCALE				
mm	NTS			PICO-CLASP 1.0 W/B SINGLE ROW RA SMT INNER LOCK GOLD PLATING 0.1 MICRO-METER	
GENERAL TOLERANCES (UNLESS SPECIFIED)				PRODUCT CUSTOMER DRAWING	
ANGULAR TOL	± 3.0 °			DOCUMENT NUMBER	
4 PLACES	± 0.2	EC NO: 698195	2022/02/28	2023960000-SD	
3 PLACES	± 0.2	DRWN: MIKEDA01	2022/03/08	DOC TYPE	DOC PART
2 PLACES	± 0.2	CHK'D: SAKIYAMA	2022/03/08	PSD	000
1 PLACE	± 0.2	APPR: AIDA	2022/03/08	REVISION	C
0 PLACES	± 0.2	INITIAL REVISION:		SHEET NUMBER	
DRAFT WHERE APPLICABLE MUST REMAIN WITHIN DIMENSIONS		DRWN: AISHIKAWA	2019/04/02	3 OF 6	
THIRD ANGLE PROJECTION		APPR: KOMURAKAMI	2019/04/05		
		DRAWING	SERIES	MATERIAL NUMBER	CUSTOMER
		A3-SIZE	202396	SEE SHEET 6	

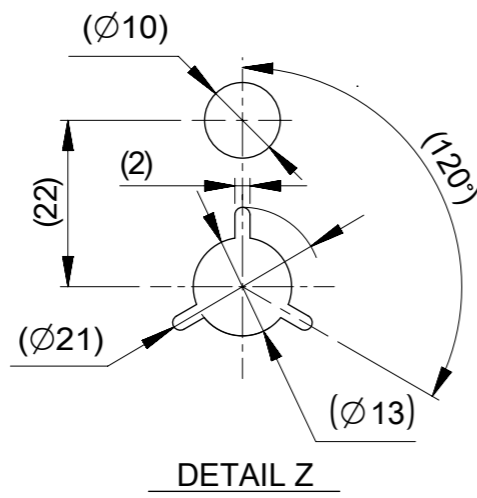


NOTES

10. 梱包数量
 2-5 CIRCUIT: 1700個/リール
 6-15 CIRCUIT: 1300個/リール
 NUMBER OF CONNECTORS
 2-5 CIRCUIT : 1700 PIECES/REEL
 6-15 CIRCUIT : 1300 PIECES/REEL



11. リードテープ長さ
 LEAD TAPE LENGTH
12. トップテープの剥離強度はIEC60286-3に準拠。
 TOP TAPE PEELING FORCE IS DEFINED BY IEC60286-3.
13. 2~5極品は乾燥剤入り、ハイバリア梱包による納品となります。
 2~5 CIRCUITS IS DELIVERED IN A HIGH BARRIER PACKAGING WITH DESICCANT.
14. 梱包仕様書 : 2023969200 PS 200
 PACKAGE SPECIFICATION:
15. 発注番号 : SHEET 6 参照
 ORDER No. : PLEASE REFER TO SHEET 6 FOR PRODUCT LIST.



202396 - ** * *

極数 CIRCUIT SIZE	ハウジングカラー HOUSING COLOR	製品識別番号 IDENTIFICATION NUMBER
	0:NATURAL(BEIGE)	7:EMBOSSED PACKAGE

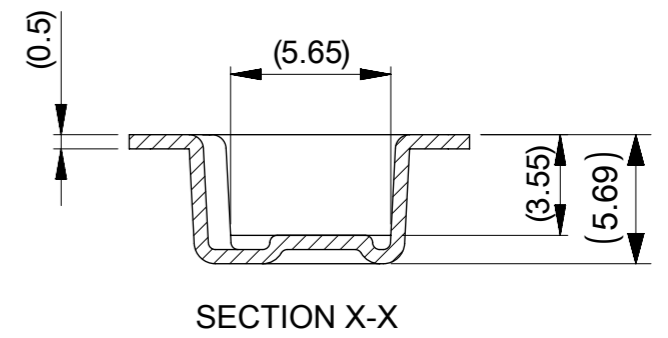
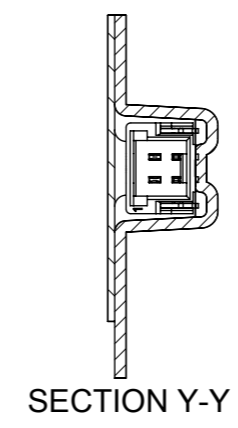
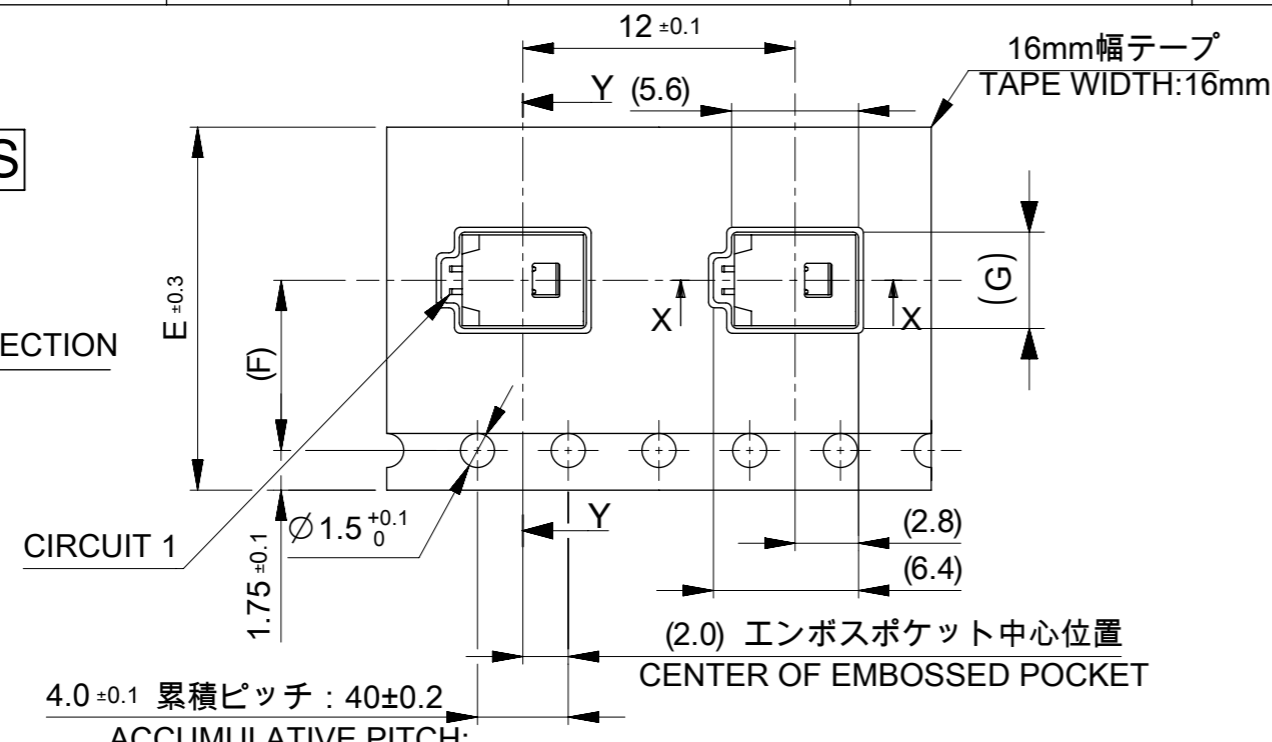
33.4	15
	14
	13
25.4	12
	11
	10
	9
	8
17.5	7
	6
	5
	4
D	3
	2
	極数 CIRCUIT SIZE

番号 NO.	部品 PART	材質 MATERIAL
④	リール REEL	ポリスチレン(PS) <リサイクル材を含む> POLYSTYRENE(PS) <RECYCLE MATERIAL CONTAINED>

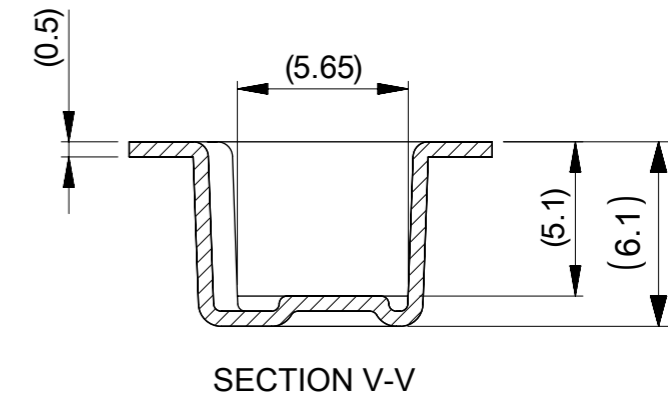
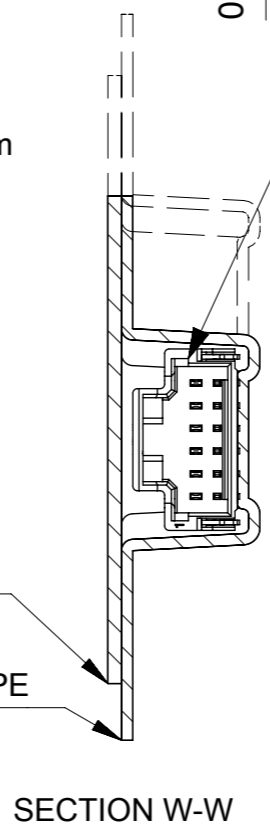
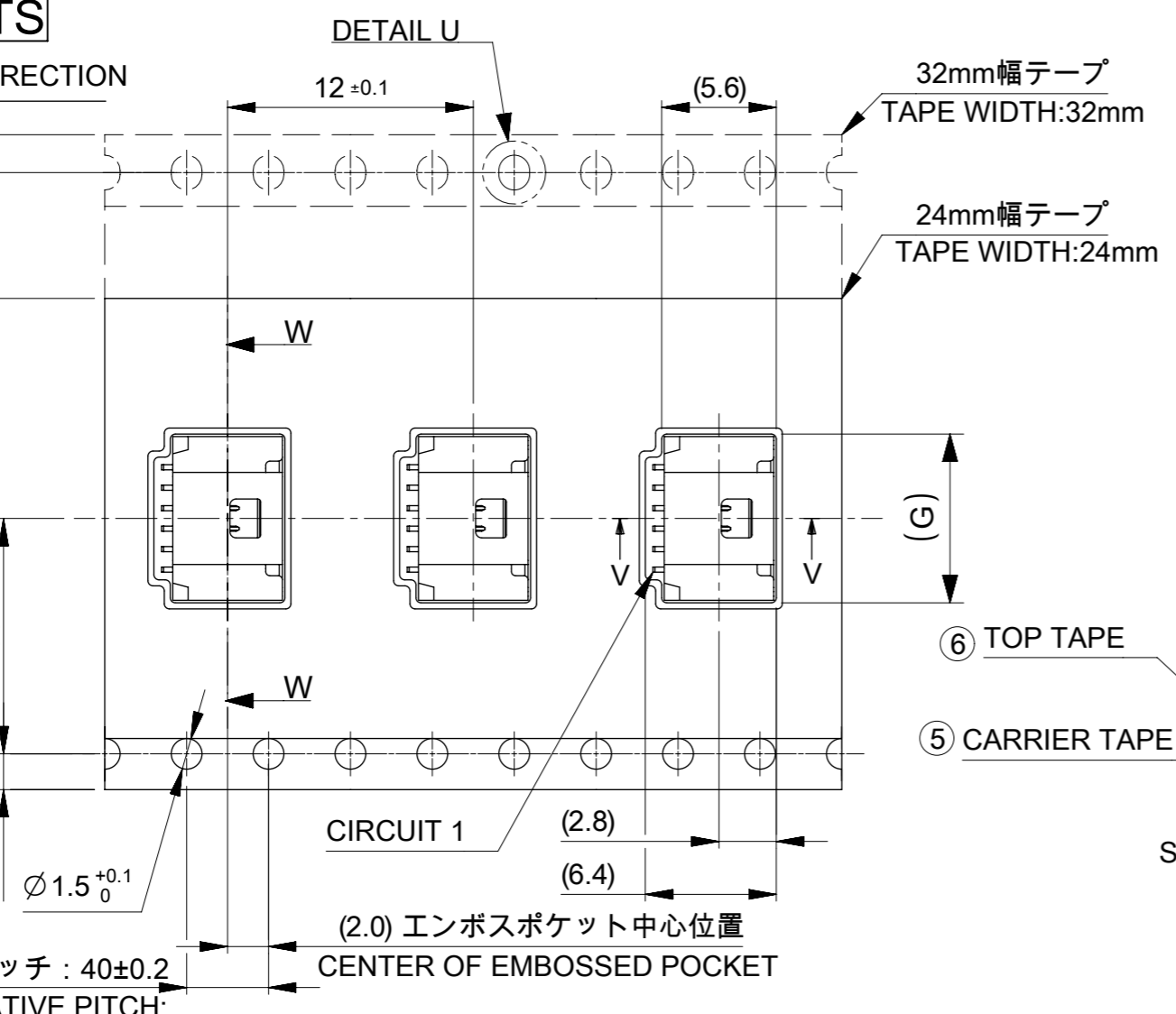
DOCUMENT STATUS	P1	RELEASE DATE	2022/03/08	09:37:17
-----------------	----	--------------	------------	----------

THIS DRAWING CONTAINS INFORMATION THAT IS PROPRIETARY TO MOLEX ELECTRONIC TECHNOLOGIES, LLC AND SHOULD NOT BE USED WITHOUT WRITTEN PERMISSION		CURRENT REV DESC:		molex	
DIMENSION UNITS	SCALE				
mm	NTS			PICO-CLASP 1.0 W/B SINGLE ROW RA SMT INNER LOCK GOLD PLATING 0.1 MICRO-METER	
GENERAL TOLERANCES (UNLESS SPECIFIED)		EC NO: 698195		PRODUCT CUSTOMER DRAWING	
ANGULAR TOL	± 3.0 °	DRWN: MIKEDA01	2022/02/28	DOCUMENT NUMBER	
4 PLACES	± 0.2	CHK'D: SAKIYAMA	2022/03/08	2023960000-SD	
3 PLACES	± 0.2	APPR: AIDA	2022/03/08	DOC TYPE	DOC PART
2 PLACES	± 0.2	INITIAL REVISION:		000	C
1 PLACE	± 0.2	DRWN: AISHIKAWA	2019/04/02	SHEET NUMBER	
0 PLACES	± 0.2	APPR: KOMURAKAMI	2019/04/05	4 OF 6	
DRAFT WHERE APPLICABLE MUST REMAIN WITHIN DIMENSIONS		THIRD ANGLE PROJECTION	DRAWING	SERIES	MATERIAL NUMBER
			A3-SIZE	202396	SEE SHEET 6

2~5 CIRCUITS



6~15 CIRCUITS



17.3			15
16.3	14.2	32	14
15.3			13
14.3			12
13.3			11
12.3			10
11.3	11.5	24	9
10.3			8
9.3			7
8.3			6
7.3			5
6.3	7.5	16	4
5.3			3
4.3			2
G	コネクタ中心位置 F CENTER OF CONNECTOR	エンボステープ幅 E WIDTH OF TAPE	極数 CIRCUIT SIZE

番号 NO.	部品 PART	材質 MATERIAL
⑤	キャリアテープ CARRIER TAPE	ポリプロピレン(PP)、その他 POLYPROPYLENE(PP), etc
⑥	トップテープ TOP TAPE	ポリエチレン(PE)、その他 POLYETHYLENE(PE), etc

DOCUMENT STATUS	P1	RELEASE DATE	2022/03/08	09:37:17
-----------------	----	--------------	------------	----------

THIS DRAWING CONTAINS INFORMATION THAT IS PROPRIETARY TO MOLEX ELECTRONIC TECHNOLOGIES, LLC AND SHOULD NOT BE USED WITHOUT WRITTEN PERMISSION

DIMENSION UNITS	SCALE	CURRENT REV DESC:	molex		
mm	NTS				
GENERAL TOLERANCES (UNLESS SPECIFIED)			PICO-CLASP 1.0 W/B SINGLE ROW RA SMT INNER LOCK GOLD PLATING 0.1 MICRO-METER		
ANGULAR TOL	± 3.0 °	EC NO: 698195	PRODUCT CUSTOMER DRAWING		
4 PLACES	± 0.2	DRWN: MIKEDA01	2022/02/28		
3 PLACES	± 0.2	CHK'D: SAKIYAMA	2022/03/08		
2 PLACES	± 0.2	APPR: AIDA	2022/03/08		
1 PLACE	± 0.2	INITIAL REVISION:			
0 PLACES	± 0.2	DRWN: AISHIKAWA	2019/04/02	DOCUMENT NUMBER	DOC TYPE
DRAFT WHERE APPLICABLE MUST REMAIN WITHIN DIMENSIONS			APPR: KOMURAKAMI	2019/04/05	2023960000-SD
THIRD ANGLE PROJECTION			DRAWING	SERIES	MATERIAL NUMBER
			A3-SIZE	202396	SEE SHEET 6
			CUSTOMER		SHEET NUMBER
					5 OF 6

10

9

8

7

6

5

4

3

2

1

F

F

E

E

D

D

C

C

B

B

A

A

△13 △15 製品一覧 PRODUCT LIST

HOUSING COLOR		
NATURAL(BEIGE)		
202396	1507	15
↑	1407	14
	1307	13
	1207	12
	1107	11
	1007	10
	0907	9
	0807	8
	0707	7
	0607	6
	0507	5
	0407	4
↓	0307	3
202396	0207	2
発注番号 ORDER No.		極数
梱包形態 : エンボスリール		CIRCUIT SIZE
PACKAGE:EMBOSSED REEL		

THIS DRAWING CONTAINS INFORMATION THAT IS PROPRIETARY TO MOLEX ELECTRONIC TECHNOLOGIES, LLC AND SHOULD NOT BE USED WITHOUT WRITTEN PERMISSION											
DIMENSION UNITS		SCALE		CURRENT REV DESC:				molex		PICO-CLASP 1.0 W/B SINGLE ROW RA SMT INNER LOCK GOLD PLATING 0.1 MICRO-METER	
mm		NTS									
GENERAL TOLERANCES (UNLESS SPECIFIED)				EC NO: 698195				PRODUCT CUSTOMER DRAWING			
ANGULAR TOL ± 3.0 °				DRWN: MIKEDA01 2022/02/28							
4 PLACES ± 0.2				CHK'D: SAKIYAMA 2022/03/08				DOCUMENT NUMBER: 2023960000-SD			
3 PLACES ± 0.2				APPR: AIDA 2022/03/08							
2 PLACES ± 0.2				INITIAL REVISION:				DOC TYPE: PSD		DOC PART: 000	
1 PLACE ± 0.2				DRWN: AISHIKAWA 2019/04/02				REVISION: C			
0 PLACES ± 0.2				APPR: KOMURAKAMI 2019/04/05							
DRAFT WHERE APPLICABLE MUST REMAIN WITHIN DIMENSIONS		THIRD ANGLE PROJECTION		DRAWING		SERIES		MATERIAL NUMBER		CUSTOMER	
				A3-SIZE		202396		SEE SHEET 6		SHEET NUMBER: 6 OF 6	

DOCUMENT STATUS	P1	RELEASE DATE	2022/03/08	09:37:17
-----------------	----	--------------	------------	----------

9

8

7

6

5

4

3

2

1

F

F