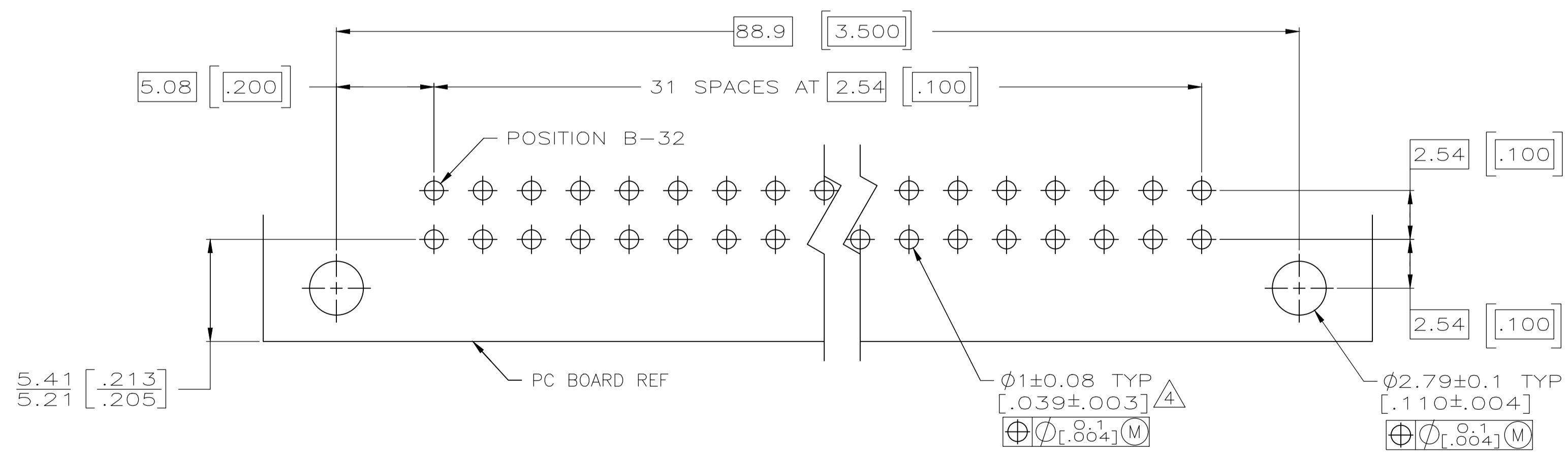
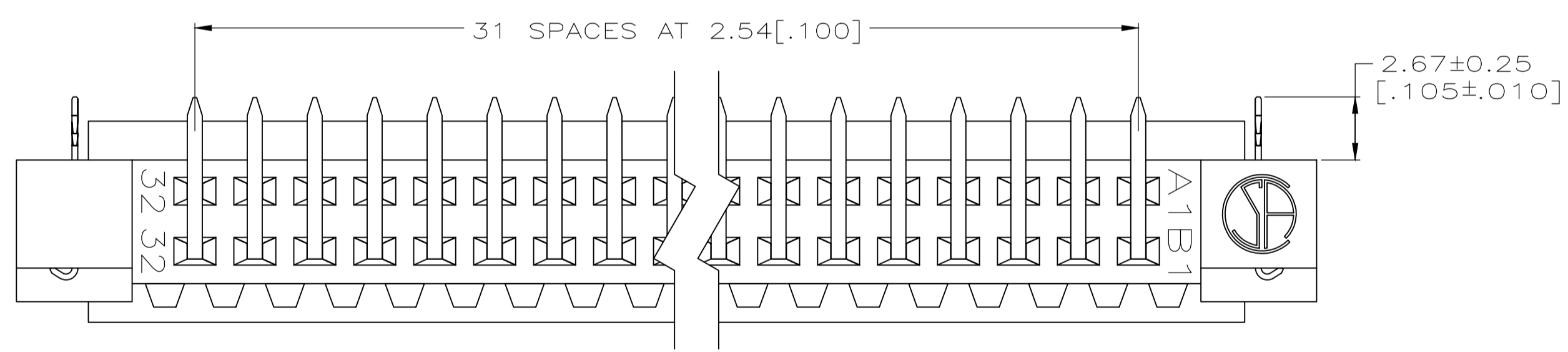
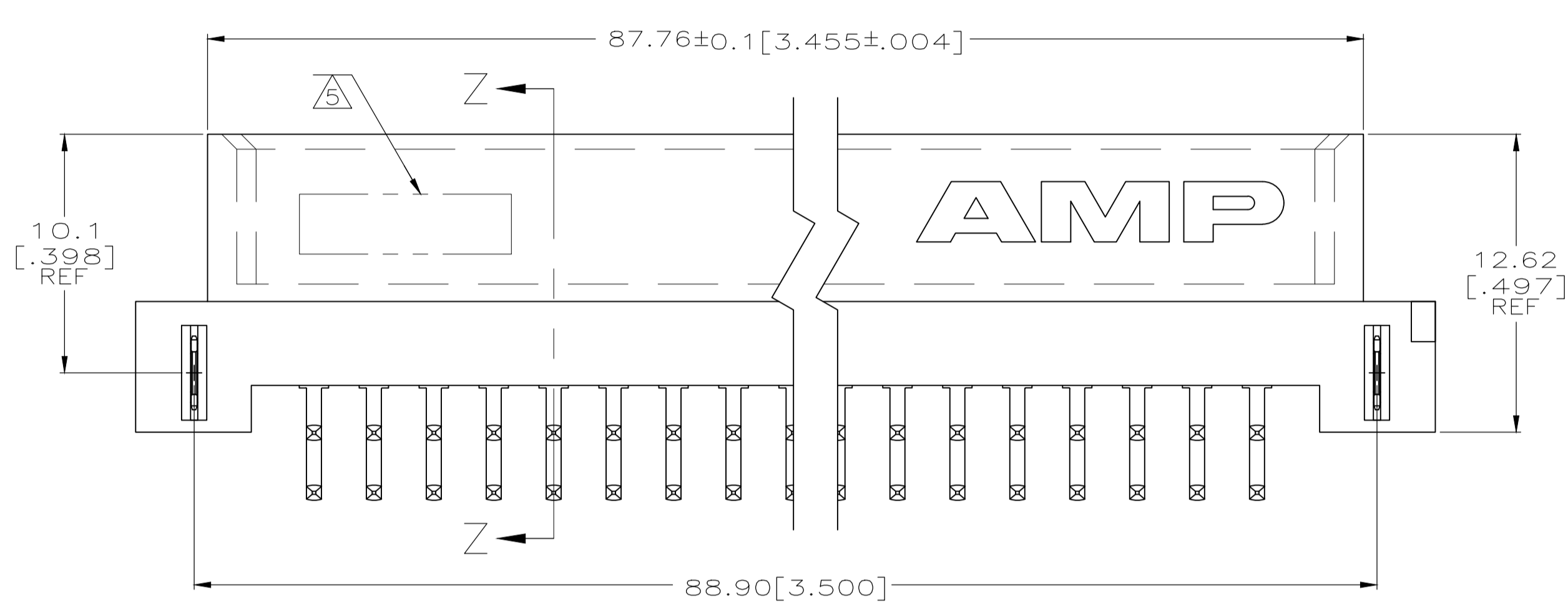
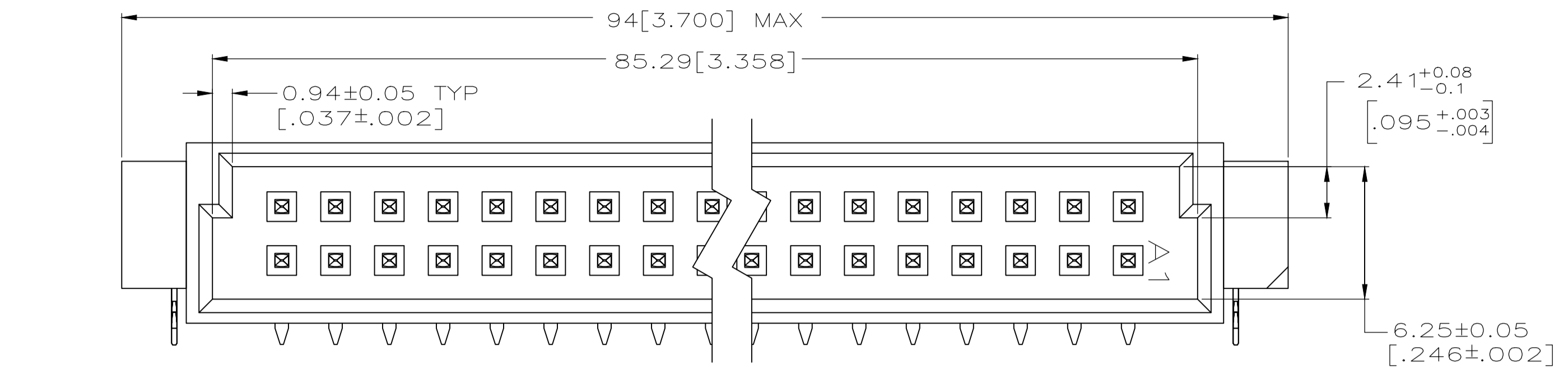
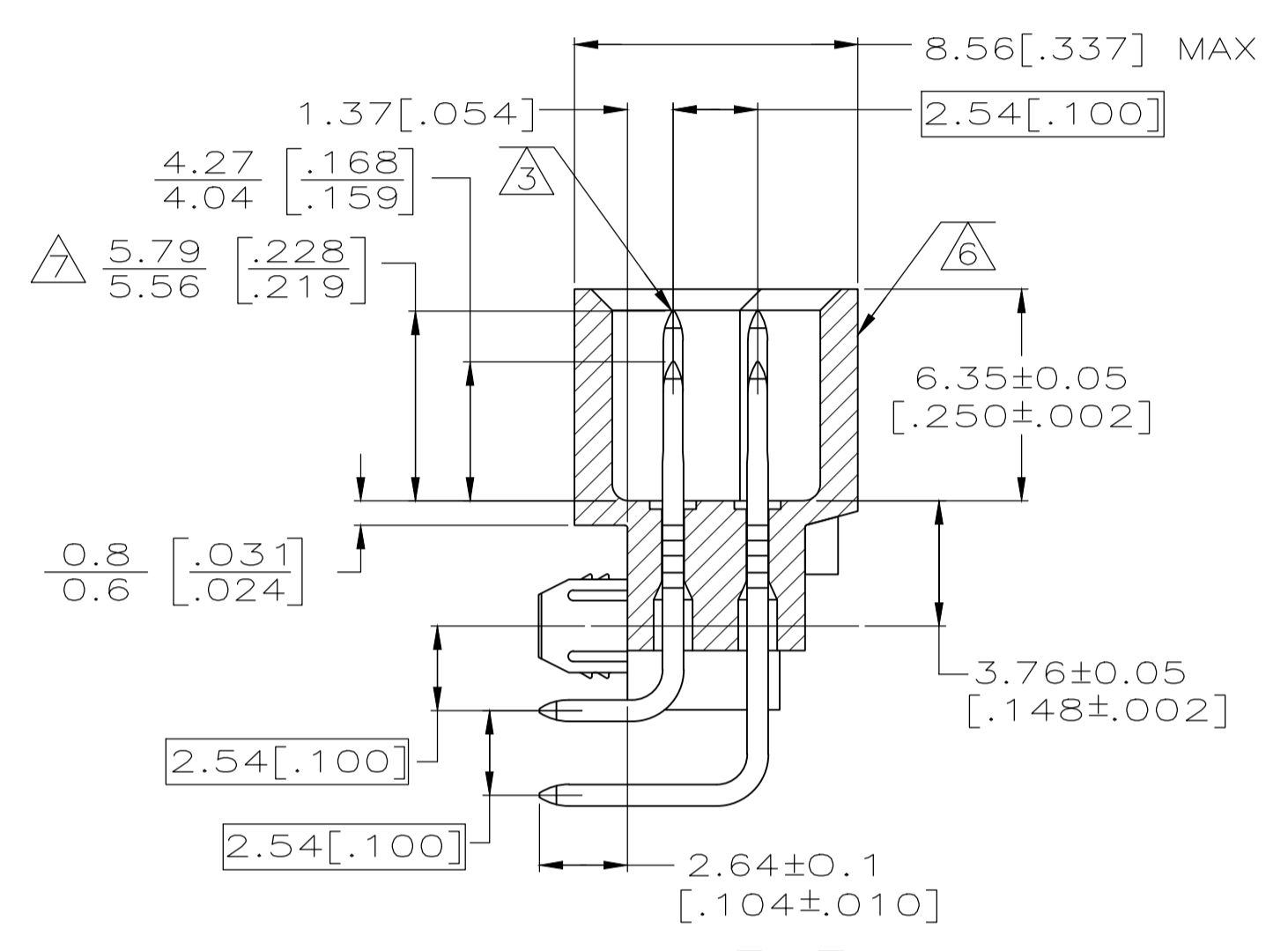


REVISIONS				
P	LTR	DESCRIPTION	DATE	BY
A		REVISED PER ECO-20-003008	03MAR2020	SY HL



RECOMMENDED PC BOARD LAYOUT

- 1 HOUSING MATERIAL: GLASS-FILLED POLYMER.
- 2 POST MATERIAL: COPPER ALLOY.
- 3 POST FINISH: DIN 41612 CLASS 2 IN CONTACT AREA. TIN PLATE ON POSTS.
- 4 RECOMMENDED HOLE SIZE FOR MANUAL APPLICATION OF CONNECTOR ONTO PC BOARD.
- 5 PART NUMBER, DATE CODE MARKED THIS APPROXIMATE AREA.
- 6 MARKINGS ON THIS SIDE.
- 7 THE 5.69[.224] LONG MAKE FIRST POSTS EXCEED THE ALIGNMENT CAPABILITY OF THE HOUSING AND COULD POSSIBLY STUB DURING MATING. CUSTOMERS MUST TAKE THIS INTO CONSIDERATION IN CARD CAGE DESIGN.



SECTION Z-Z

PLC	PLC	PLC	PLC	ROWS	NO. OF LOADED POSITIONS	PART NUMBER
1-2,9-14,20,23-24,30-32	3-8,15-19,21-22,25-29	B	32			1-5148268-5
1-2,9-14,20,23-24,30-32	3-8,15-19,21-22,25-29	A	32			
9-14,16,18,20,23,24	15,17,19,21,22	B	16			5148268-5
9-14,16,18,20,23,24	1,15,17,19,21,22,32	A	18			
POSITIONS LOADED WITH 5.69[.224] CONTACTS	POSITIONS LOADED WITH 4.16[.164] CONTACTS					

THIS DRAWING IS A CONTROLLED DOCUMENT.

DIMENSIONS: mm [INCHES]	TOLERANCES UNLESS OTHERWISE SPECIFIED:	DIN J. POLIGNONE	OSMAYOS	TE Connectivity PIN ASSY, EUROCARD, TYPE B, 34/64 POS.SOLDER POST W/ MFBL CON AND BOARD-LOCKS
0 PLC ± -	1 PLC ± -	CHK A. SHARPE	OSMAYOS	
2 PLC ± ± 0.13[.005]	3 PLC ± -	APVD A. SHARPE	OSMAYOS	NAME
4 PLC ± -	ANGLES ± -	APPLICATION SPEC		SIZE
MATERIAL	FINISH	WEIGHT	0.000000	CAGE CODE
		DRAWING NO	A100779	DRAWING NO
		RESTRICTED TO		
		CUSTOMER DRAWING		SCALE 5:1
				SHEET 1 OF 1
				REV A