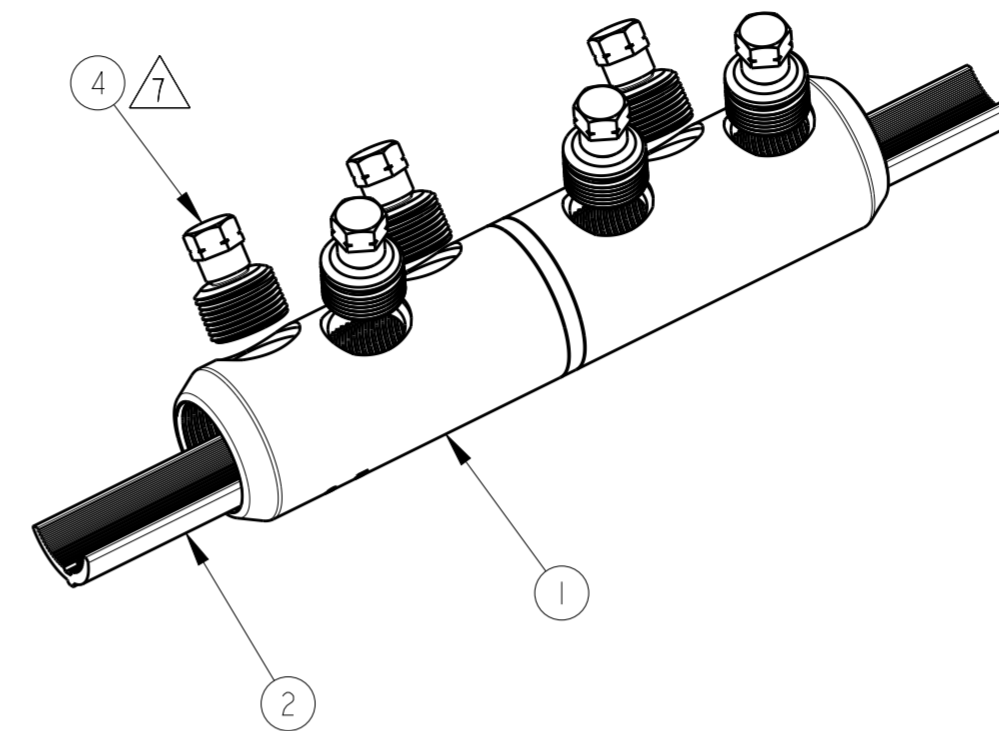
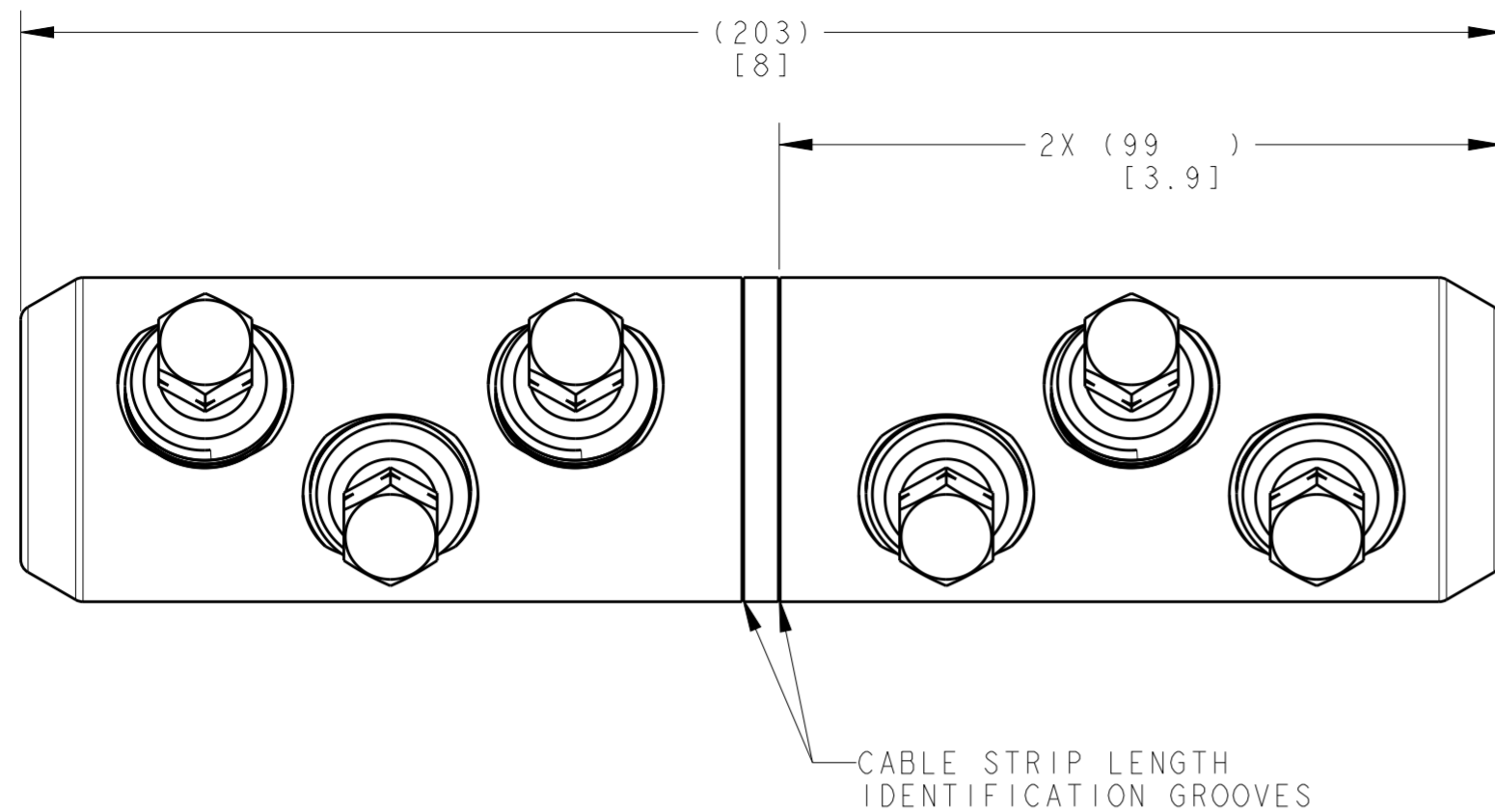


P	LTR	DESCRIPTION	DATE	DWN	APVD
F		LC20-0064-20 / ECO-20-009245	29JUN2020	DM	BJ



1. ACCOMMODATES:
600 KCMIL TO 1000 KCMIL ALUMINUM
OR COPPER CONDUCTORS.

MARKING:
2

ASBS-600-1000
MADE IN [COUNTRY OF ORIGIN]
[DATE CODE]

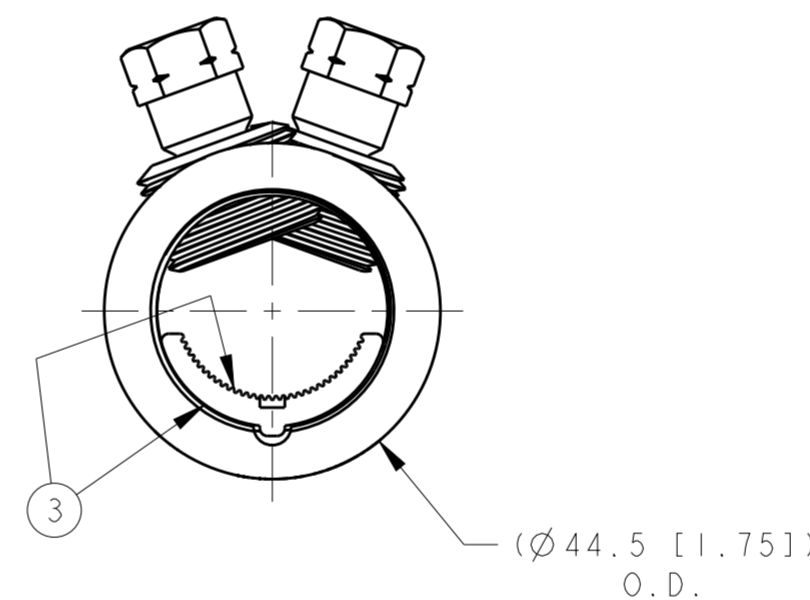
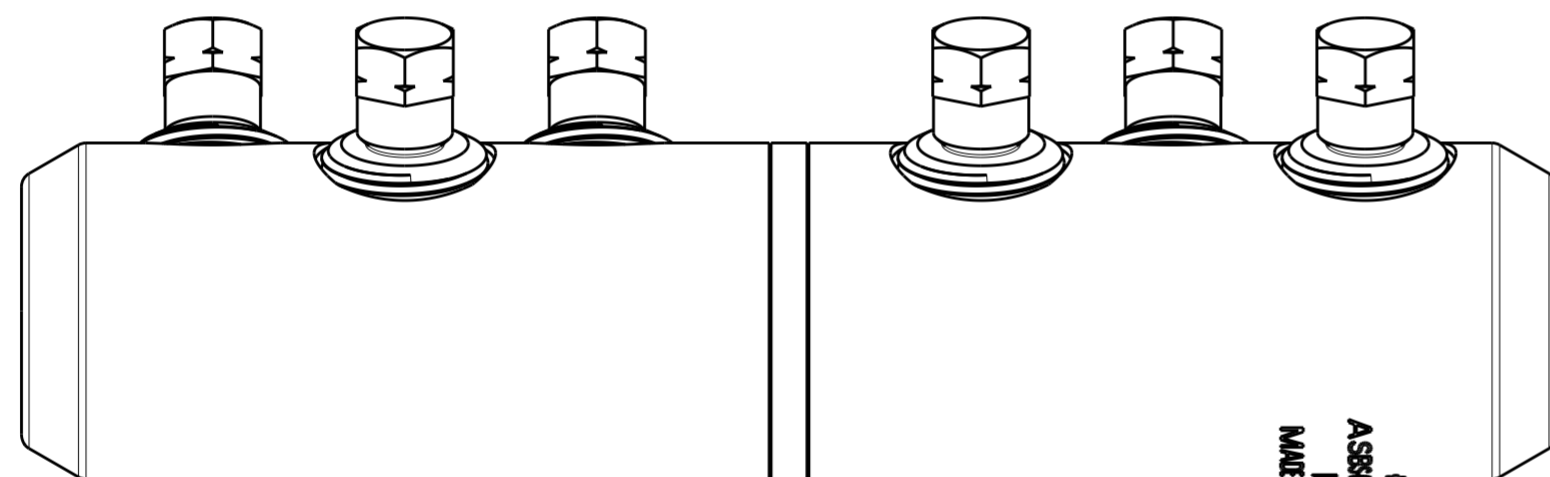
3. INSERT SHALL BE REMOVED FOR
CONDUCTOR SIZES GREATER
THAN 750 KCMIL STD STR
(.998 [25.3] CONDUCTOR
DIAMETER)

4. ALL DIMENSIONS ARE FOR REFERENCE ONLY.

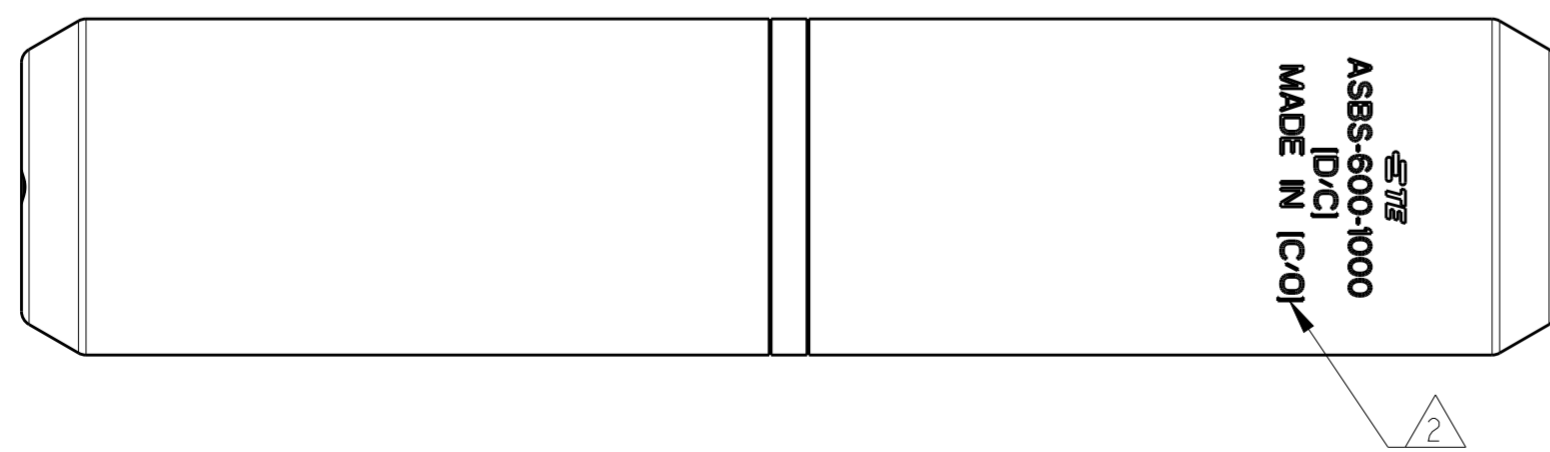
5. CONNECTOR CONTAINS FACTORY APPLIED
ANTI-OXIDE INHIBITOR.

6. FINISH:
ELECTRO-TIN PLATED.

7. INSTALL BOLTS WITH 13 mm OR (1/2") SOCKET.



ASBS-600-1000	1099848-1
CATALOG NO	PART NO



QTY	DESCRIPTION	ITEM NO
1	INSTALLATION INSTRUCTION SHEET, 408-8990	6
1	ABRASIVE TAPE, 1X24-120 G	5
6	BOLT, MULTI-SHEAR, M22 SIZE, ALUMINUM	4
A/R	INHIBITOR	3
2	INSERT, SHEARBOLT CONNECTOR, ALUMINUM, TIN PLATED	2
1	CONNECTOR SLEEVE BODY, ALUMINUM, TIN PLATED	1
-1		

THIS DRAWING IS A CONTROLLED DOCUMENT.

DWN D. ROBITALLE 20DEC2004	TE Connectivity					
CHK A. BULZA 14JAN2005						
APVD B. JOHNSON 17JAN2005						
NAME SHEARBOLT SLEEVE CONNECTOR, ALUM, SOLID OIL STOP, 600 KCMIL CPT TO 1000 KCMIL STD						
DIMENSIONS: mm [INCHES]	TOLERANCES UNLESS OTHERWISE SPECIFIED:	PRODUCT SPEC	SIZE	CAGE CODE	DRAWING NO	RESTRICTED TO
0 PLC ±	1 PLC ±	-	A2	00779	C-1099848	
2 PLC ±	2 PLC ±	-				
3 PLC ±	3 PLC ±	-				
4 PLC ±	4 PLC ±	-				
ANGLES ±	FINISH	APPLICATION SPEC	WEIGHT	SCALE	SHEET	OF
SEE BOM	SEE BOM	-	-	1:2	1	1
		CUSTOMER DRAWING				REV F