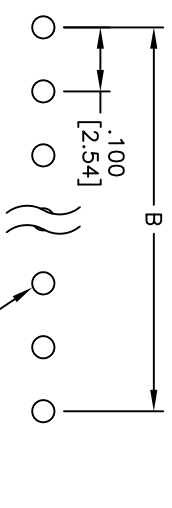
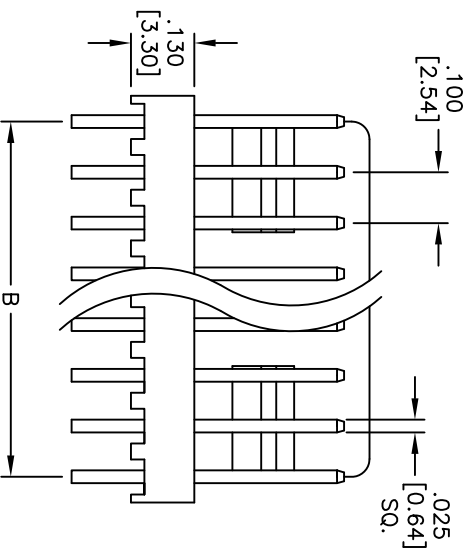
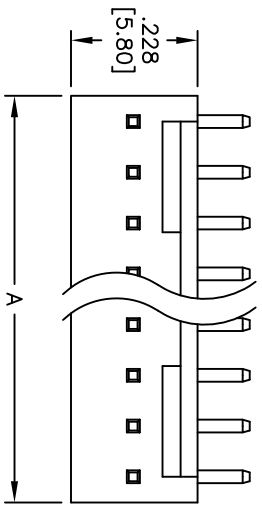


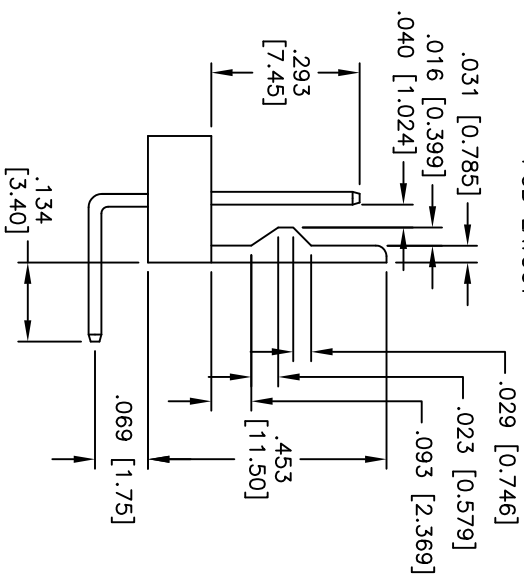
Rev	AWO #	Description	Date	Appr
-		RELEASED	4/8/05	

APPROVED: _____

DATE: _____ TITLE: _____



PCB LAYOUT



Positions: 2 thru 20
 A = .100 [2.54] x No. of Positions
 B = .100 [2.54] x No. of Spaces

SPECIFICATIONS:

- Material: Insulator: Nylon 66, rated UL 94V-2
- Insulator color: White
- Contacts: Brass
- Plating: Tin over Copper underplate overall
- Electrical: Operating voltage: 250 VAC max
- Current rating: 3 Amps max
- Contact resistance: 20 mohms max
- Insulation resistance: 1,000 Mohms min
- Dielectric withstanding voltage: 1,500 VAC for 1 minute
- Temperature Rating: Operating temperature: -25°C to +85°C
- Environmental: Lead free, RoHS compliant

UNLESS OTHERWISE SPECIFIED ALL DIMENSIONS ARE INCHES [MM]	
TOLERANCES: EXCEPT AS NOTED	
INCHES	HOLDS
.X ± .10	± .10
.XX ± .020	± .015
.XXX ± .015	± .010
APPROVALS	DATE
DRAWN	SS
CHECKED	
APPROVED	

ADAM TECH
 909 Rahway Avenue, Union, NJ 07083
 Phone: 908-687-5000 Fax: 908-687-5710

TITLE: .100 [2.54] LOCKING HEADER
 REVERSE RIGHT ANGLE, PCB

SIZE	PART NO.	REV.
X	LHA-XX-TRB	-
REF:	SCALE: NTS	SHEET 1 OF 1

