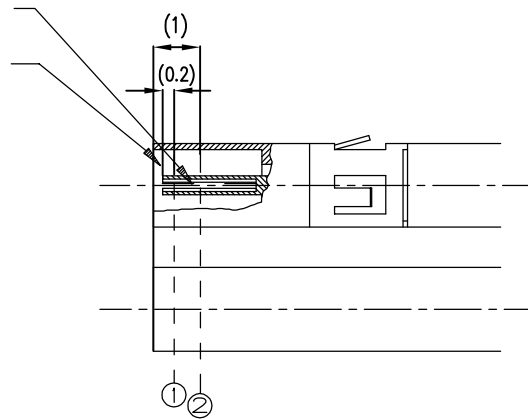
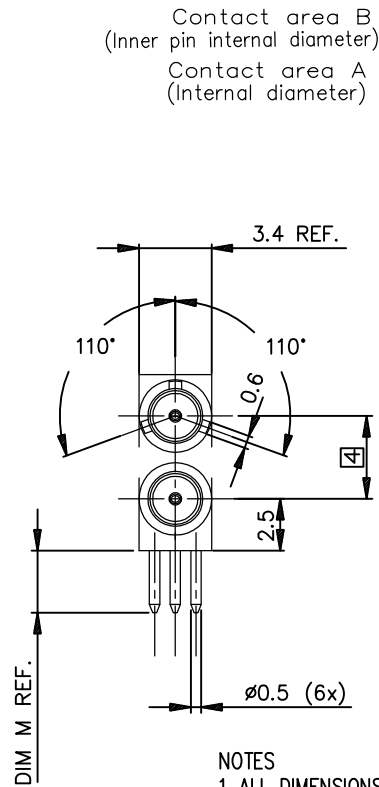
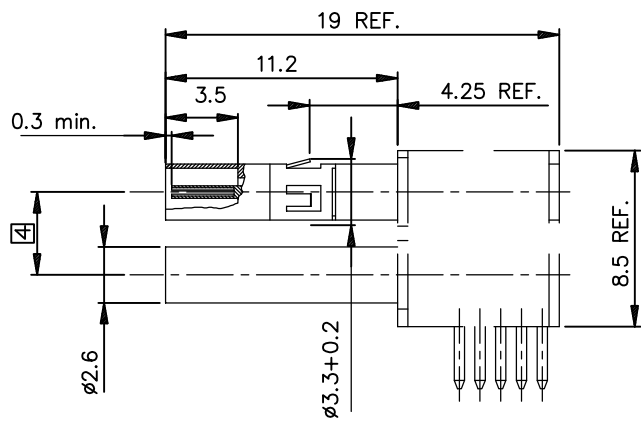
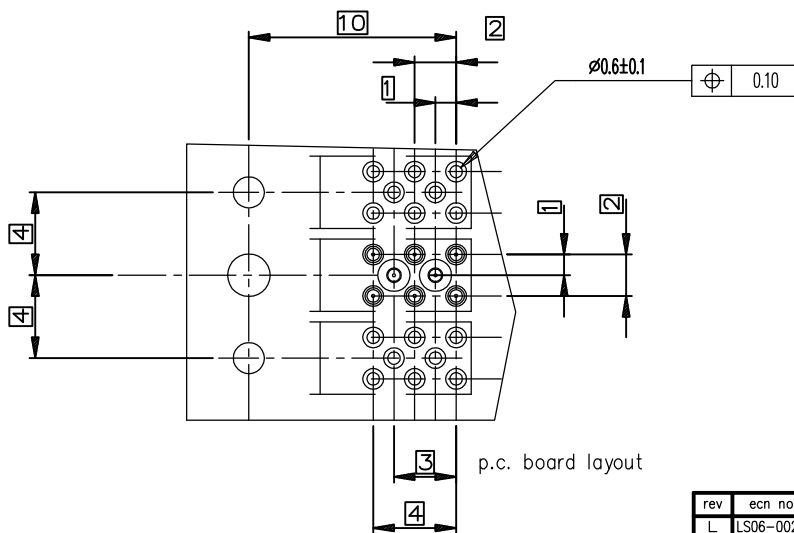


| LEAD FREE P/N | DIM M | PCB Thk. | REMARKS          |
|---------------|-------|----------|------------------|
| 70239-001LF   | 2.80  | 1.6mm    |                  |
| 70239-002LF   | 3.80  | 2.4mm    |                  |
| 70239-003LF   | 2.20  | 1.6mm    | CUSTOMER SPECIAL |
| 70239-004LF   | 2.92  | 1.6mm    | CUSTOMER SPECIAL |



|        |                            |
|--------|----------------------------|
|        | 1.27µm Au Min.(See note 5) |
| Area A | Position 2                 |
| Area B | Positions 1                |

Plating on contact area



NOTES

- ALL DIMENSIONS ARE REFERENCE
- THIS PRODUCT WITH "LF" SUFFIX MEETS EUROPEAN UNION DIRECTIVES AS DESCRIBED ON GS-47-0004
- THE HOUSING WILL WITHSTAND EXPOSURE TO 260 DEGREE PEAK TEMPERATURE FOR 10 SECONDS IN A WAVE SOLDER APPLICATION WITH A MINIMUM CIRCUIT BOARD THICKNESS : 1.6mm
- PACKAGING SPEC: SEE GS-14-920
- RECOMMENDED MEASUREMENT DEVICE: X-RAY PER RECOMMENDED PRACTICE RP-GL-TERP-M-0232. MEASURED AREAS SHOULD NOT BE DAMAGED

European Views

|                                       |          |                  |                  |            |            |
|---------------------------------------|----------|------------------|------------------|------------|------------|
| www.fciconnect.com                    |          | surface          | tolerance std    | projection | mm         |
|                                       |          | ISO 1302         | ISO 406 ISO 1101 |            |            |
| TOLERANCES UNLESS OTHERWISE SPECIFIED |          |                  |                  |            |            |
| Dr                                    | GOISNARD | 2006/03/04       | ANGULAR          | 0.X        | ±0.1       |
| Eng                                   | GOISNARD | 2006/03/04       | LINEAR           | 0.XX       | ±0.1       |
| Chr                                   | LEGARE   | 2006/03/04       | 0.XX' ±2         | 0.XXX      | ±0.1       |
| Appr                                  | LEGARE   | 2006/03/04       | Product family   | METRAL     | Spec ref - |
| title                                 |          | R/A FEMALE 50ohm |                  | Rev.       |            |
| catalog no                            |          | -                |                  | 70239      |            |
| MINI COAX                             |          | -                |                  | P          |            |
| CUSTOMER                              |          | sheet 1 of 1     |                  |            |            |

| rev | ecm no    | dr  | date       |
|-----|-----------|-----|------------|
| L   | LS06-0022 | LGO | 2006/03/04 |
| M   | LS07-0214 | LGO | 2007/08/20 |
| N   | LS08-0057 | LGO | 2008/02/18 |
| P   | B-17802   | APA | 2014/05/28 |
| -   | -         | -   | -          |
| -   | -         | -   | -          |
| -   | -         | -   | -          |



Copyright FCI.