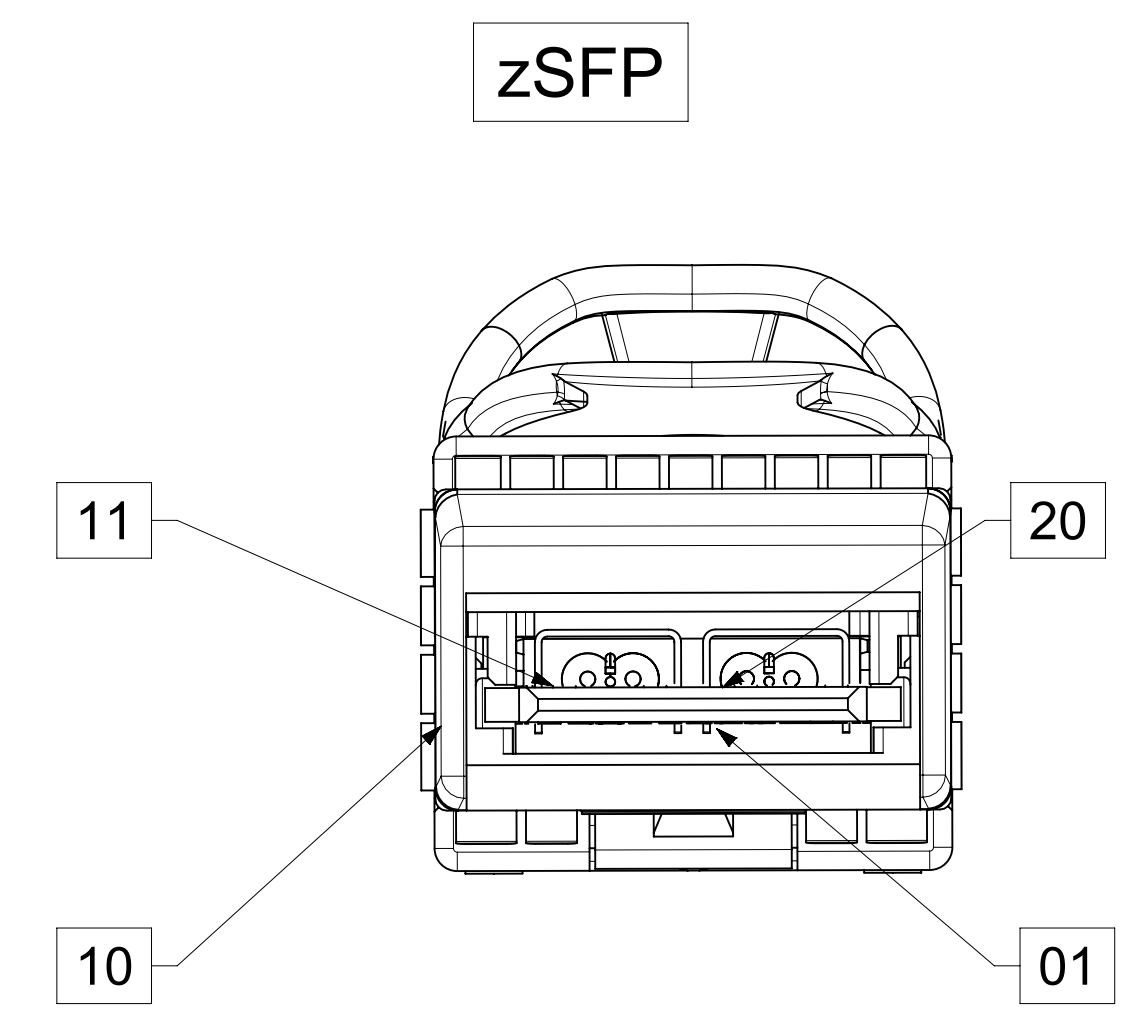
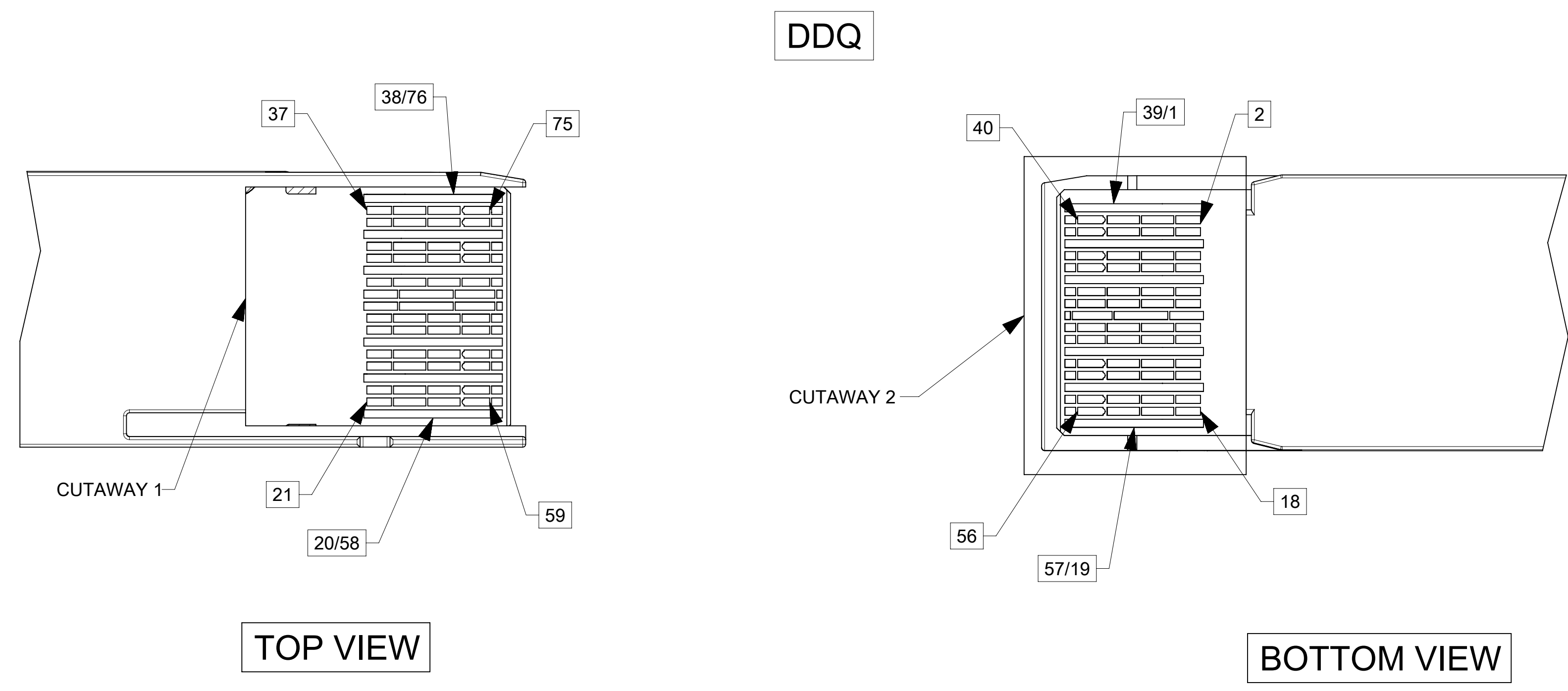


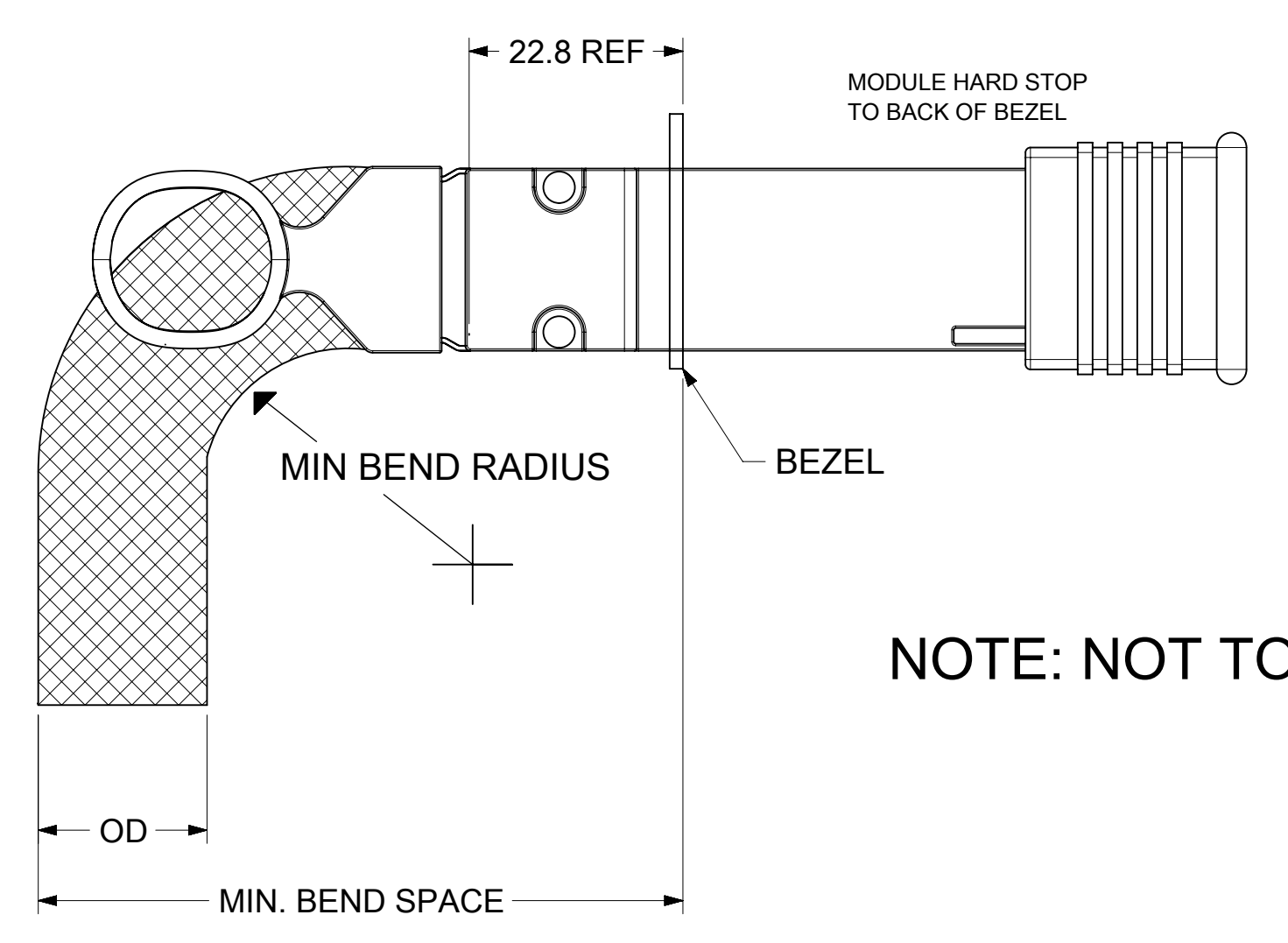
| MOLEX P/N | LENGTH (M) | TOL. (MM) | AWG |
|------------|------------|-----------|-----|
| 2058561005 | 0.5 | +/- 50 | 30 |
| 2058561010 | 1.0 | +/- 50 | 30 |
| 2058561015 | 1.5 | +/- 80 | 30 |
| 2058563005 | 0.5 | +/- 50 | 28 |
| 2058563010 | 1.0 | +/- 50 | 28 |
| 2058563015 | 1.5 | +/- 80 | 28 |
| 2058563020 | 2.0 | +/- 80 | 28 |
| 2058563025 | 2.5 | +/- 80 | 28 |
| 2058563030 | 3.0 | +/- 80 | 26 |

- NOTES:**
- MATERIALS**
 BACKSHELLS - NICKEL PLATED ZINC
 ZSFP END DE-LATCH - PLASTIC
 DDQ END DE-LATCH - STAINLESS STEEL WITH OVERMOLDED NYLON
 RIVETS - STAINLESS STEEL
 - EACH ASSEMBLY HAS A SERIAL ID
 - RoHS COMPLIANT, NO EXEMPTIONS.
 - CABLE LENGTH DEPENDS ON WIRE GAUGE, DATA RATE, AND HOST BOARD DRIVER CAPABILITIES
 - IMPEDANCE - 100 OHMS DIFFERENTIAL
 - CABLE IS UL RECOGNIZED PER UL AWM STYLE 21479
 - EEPROM MAP AVAILABLE UPON REQUEST

| | | | | | | | | | | | | | |
|--|---|--------------------------------------|---------------------------------|-----------------------|--|--------------------------|-------------------|--------------------------------------|---------------------------------|--------------------------------|--|----------------------------|----------------------|
| FUNCTIONAL SYMBOLS FA = 0 FC = 0 FP = 0 DIVISIONAL SYMBOLS | THIS DRAWING CONTAINS INFORMATION THAT IS PROPRIETARY TO MOLEX ELECTRONIC TECHNOLOGIES, LLC AND SHOULD NOT BE USED WITHOUT WRITTEN PERMISSION | | SCALE 1:1.25 | | CURRENT REV DESC: SHT 2: UPDATED DDQ SIDE BEND RADIUS AND BEND SPACE VALUES | | | | | | | | |
| | GENERAL TOLERANCES (UNLESS SPECIFIED) | | | | | | | | | | | | EC NO: 690921 |
| | ANGULAR TOL ± ° | | 4 PLACES ± | | DRWN: SKAMATHN 2022/01/05 | | 2022/01/05 | | PRODUCT CUSTOMER DRAWING | | | | |
| | 3 PLACES ± | | CHK'D: ADITHK 2022/01/06 | | 2022/01/06 | | | | | | | | |
| 2 PLACES ± | | APPR: SCHANNARAYAN 2022/01/07 | | 2022/01/07 | | INITIAL REVISION: | | DOCUMENT NUMBER 2058561005 | | | | | |
| 1 PLACE ± | | DRWN: ZDANDURAND 2017/10/25 | | 2017/10/25 | | DOC TYPE PSD | | | | | | DOC PART 000 | |
| 0 PLACES ± | | APPR: ADTUCKER 2017/10/27 | | 2017/10/27 | | MATERIAL NUMBER | | CUSTOMER | | SHEET NUMBER | | | |
| DRAFT WHERE APPLICABLE MUST REMAIN WITHIN DIMENSIONS | | THIRD ANGLE PROJECTION | | DRAWING D-SIZE | | SERIES 205856 | | MATERIAL NUMBER SEE P/N TABLE | | CUSTOMER GENERAL MARKET | | SHEET NUMBER 1 OF 4 | |

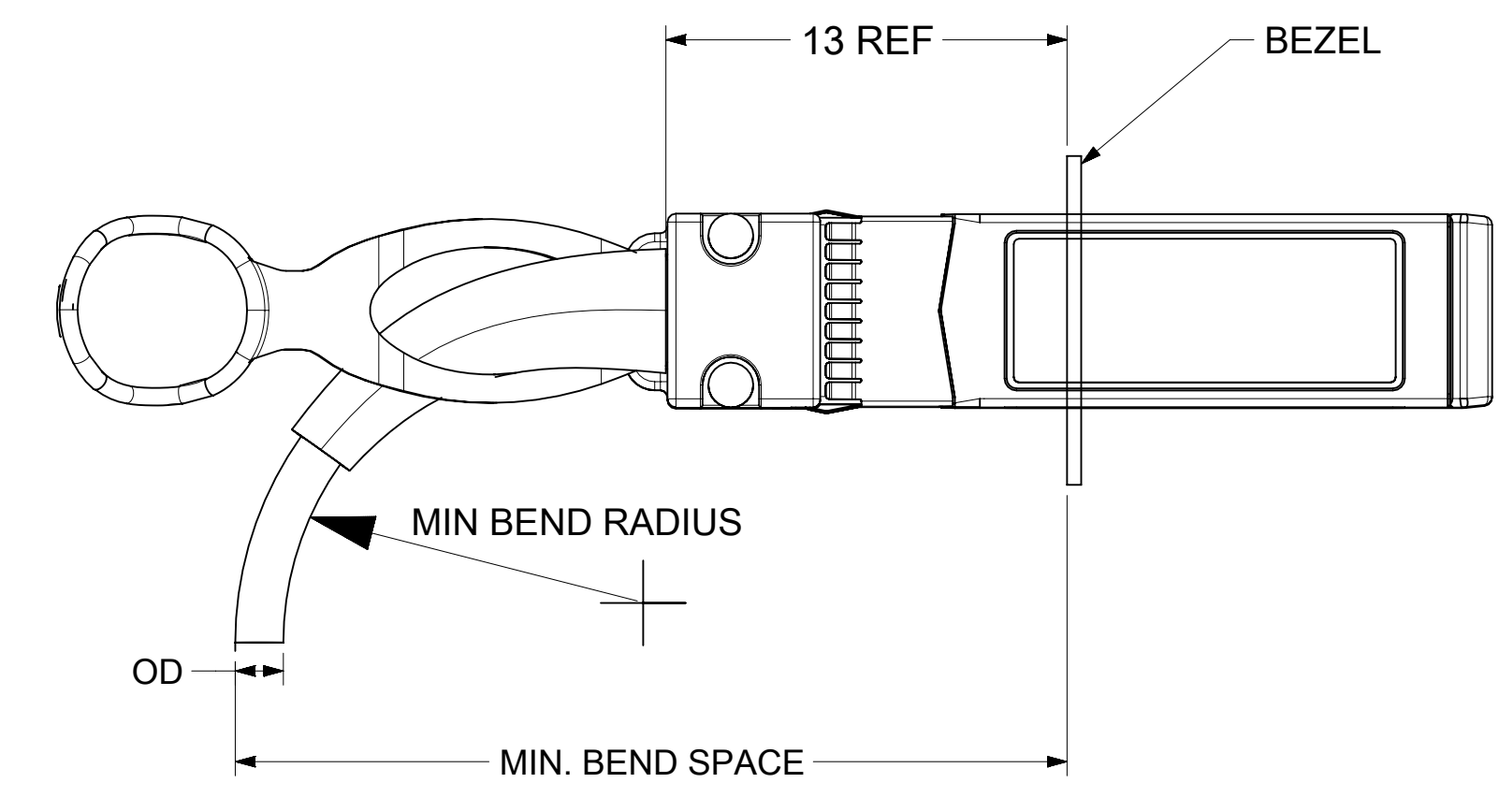


DDQ CABLE BEND RADIUS



| CABLE AWG | OD (mm) | MIN BEND RADIUS (mm) | MIN BEND SPACE (mm) |
|-----------|---------|----------------------|---------------------|
| 26 | (13) | (65) | (101) |
| 28 | (11) | (55) | (89) |
| 30 | (9.4) | (45) | (77) |

SFP28 CABLE BEND RADIUS



| AWG | O.D. (mm) | MIN BEND RADIUS (mm) | MIN BEND SPACE (mm) |
|-----|-----------|----------------------|---------------------|
| 26 | 5.1 | (26) | (44) |
| 28 | 5.2 | (26) | (45) |
| 30 | 4.83 | (24) | (42) |

FUNCTIONAL SYMBOLS: FA = 0, FC = 0, FP = 0

DIMENSION UNITS: mm

SCALE: 2:1

THIS DRAWING CONTAINS INFORMATION THAT IS PROPRIETARY TO MOLEX ELECTRONIC TECHNOLOGIES, LLC AND SHOULD NOT BE USED WITHOUT WRITTEN PERMISSION

GENERAL TOLERANCES (UNLESS SPECIFIED): 4 PLACES ±, 3 PLACES ±, 2 PLACES ±, 1 PLACE ±, 0 PLACES ±

ANGULAR TOL: ± °

EC NO: 690921

DRWN: SKAMATHN 2022/01/05

CHK'D: ADITHK 2022/01/06

APPR: SCHANNARAYAN 2022/01/07

INITIAL REVISION: DRWN: ZDANDURAND 2017/10/25

APPR: ADTUCKER 2017/10/27

DRAFT WHERE APPLICABLE MUST REMAIN WITHIN DIMENSIONS

THIRD ANGLE PROJECTION

DRAWING: D-SIZE

SERIES: 205856

MATERIAL NUMBER: SEE P/N TABLE

CUSTOMER: GENERAL MARKET

SHEET NUMBER: 2 OF 4

DOCUMENT NUMBER: 2058561005

DOC TYPE: PSD

DOC PART: 000

REVISION: L4

molex

QSFP-DD-8ZSFP 56G CABLE ASSEMBLY

PRODUCT CUSTOMER DRAWING

| WIRING DIAGRAM | | | | | | |
|----------------|---------|--------|----------|--------|------|---|
| PORT | DDQ END | | zSFP END | | PORT | |
| | Pad | Signal | Pad | Signal | | |
| 1 | 35 | GND | ---- | | GND | 2 |
| | 36 | TX1p | ---> | 13 | RD+ | |
| | 37 | TX1n | ---> | 12 | RD- | |
| | 16 | GND | ---- | | GND | |
| | 17 | RX1p | <--- | 18 | TD+ | |
| | 18 | RX1n | <--- | 19 | TD- | |
| | 1 | GND | ---- | | GND | 3 |
| | 2 | TX2n | ---> | 12 | RD- | |
| | 3 | TX2p | ---> | 13 | RD+ | |
| | 20 | GND | ---- | | GND | |
| | 21 | RX2n | <--- | 19 | TD- | |
| | 22 | RX2p | <--- | 18 | TD+ | |
| | 32 | GND | ---- | | GND | 4 |
| | 33 | TX3p | ---> | 13 | RD+ | |
| | 34 | TX3n | ---> | 12 | RD- | |
| | 13 | GND | ---- | | GND | |
| | 14 | RX3p | <--- | 18 | TD+ | |
| | 15 | RX3n | <--- | 19 | TD- | |
| | 4 | GND | ---- | | GND | 5 |
| | 5 | TX4n | ---> | 12 | RD- | |
| 6 | TX4p | ---> | 13 | RD+ | | |
| 23 | GND | ---- | | GND | | |
| 24 | RX4n | <--- | 19 | TD- | | |
| 25 | RX4p | <--- | 18 | TD+ | | |
| 7 | GND | ---- | | GND | | |
| 19 | GND | ---- | | GND | | |
| 26 | GND | ---- | | GND | | |
| 38 | GND | ---- | | GND | | |

| WIRING DIAGRAM | | | | | | |
|----------------|---------|--------|----------|--------|------|---|
| PORT | DDQ END | | zSFP END | | PORT | |
| | Pad | Signal | Pad | Signal | | |
| 1 | 73 | GND | ---- | | GND | 6 |
| | 74 | TX5p | ---> | 13 | RD+ | |
| | 75 | TX5n | ---> | 12 | RD- | |
| | 54 | GND | ---- | | GND | |
| | 55 | RX5p | <--- | 18 | TD+ | |
| | 56 | RX5n | <--- | 19 | TD- | |
| | 39 | GND | ---- | | GND | 7 |
| | 40 | TX6n | ---> | 12 | RD- | |
| | 41 | TX6p | ---> | 13 | RD+ | |
| | 58 | GND | ---- | | GND | |
| | 59 | RX6n | <--- | 19 | TD- | |
| | 60 | RX6p | <--- | 18 | TD+ | |
| | 70 | GND | ---- | | GND | 8 |
| | 71 | TX7p | ---> | 13 | RD+ | |
| | 72 | TX7n | ---> | 12 | RD- | |
| | 51 | GND | ---- | | GND | |
| | 52 | RX7p | <--- | 18 | TD+ | |
| | 53 | RX7n | <--- | 19 | TD- | |
| | 42 | GND | ---- | | GND | 9 |
| | 43 | TX8n | ---> | 12 | RD- | |
| 44 | TX8p | ---> | 13 | RD+ | | |
| 61 | GND | ---- | | GND | | |
| 62 | RX8n | <--- | 19 | TD- | | |
| 63 | RX8p | <--- | 18 | TD+ | | |
| 45 | GND | ---- | | GND | | |
| 57 | GND | ---- | | GND | | |
| 64 | GND | ---- | | GND | | |
| 76 | GND | ---- | | GND | | |

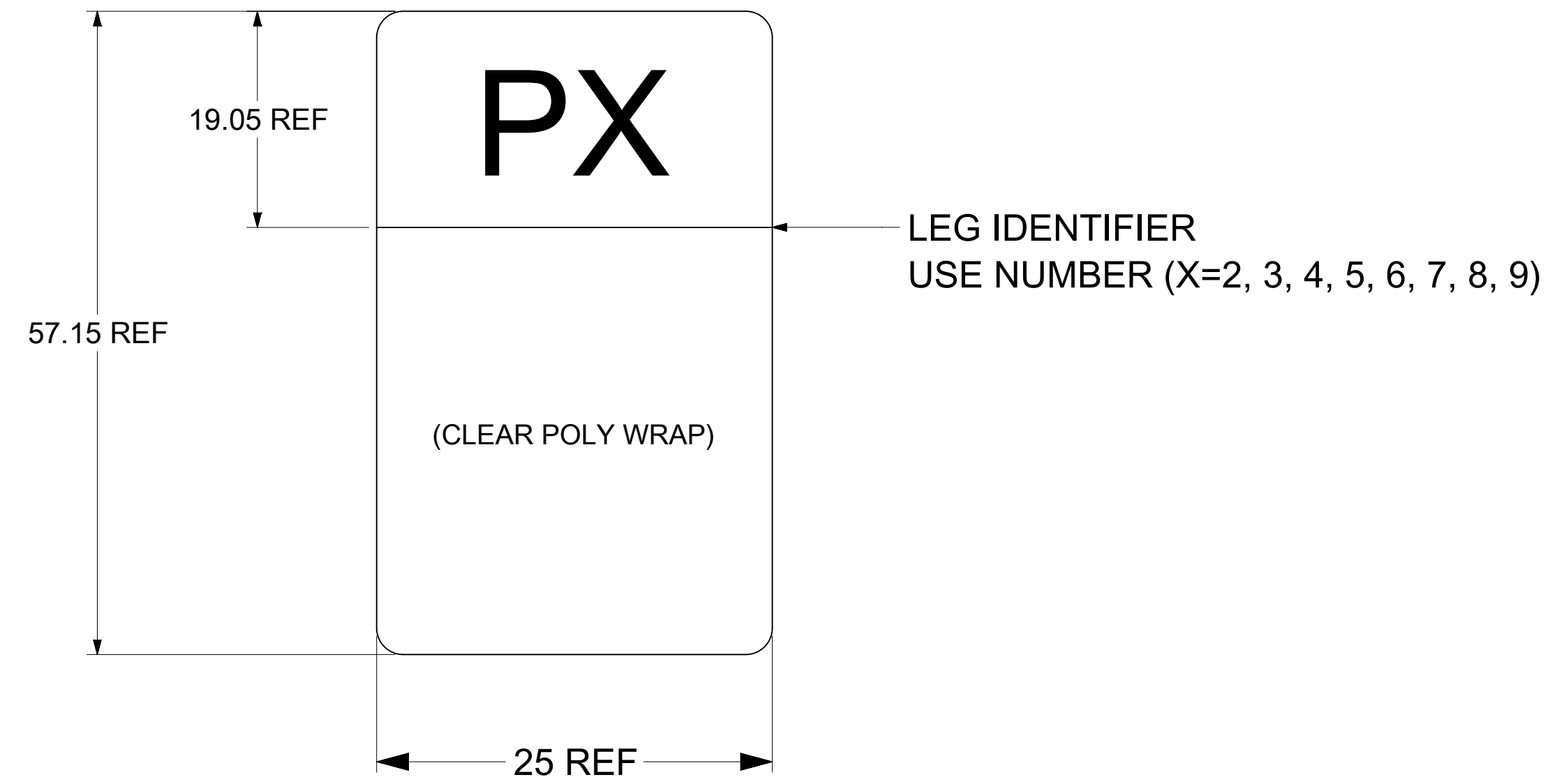
LEGEND:

---- = DRAIN LINES

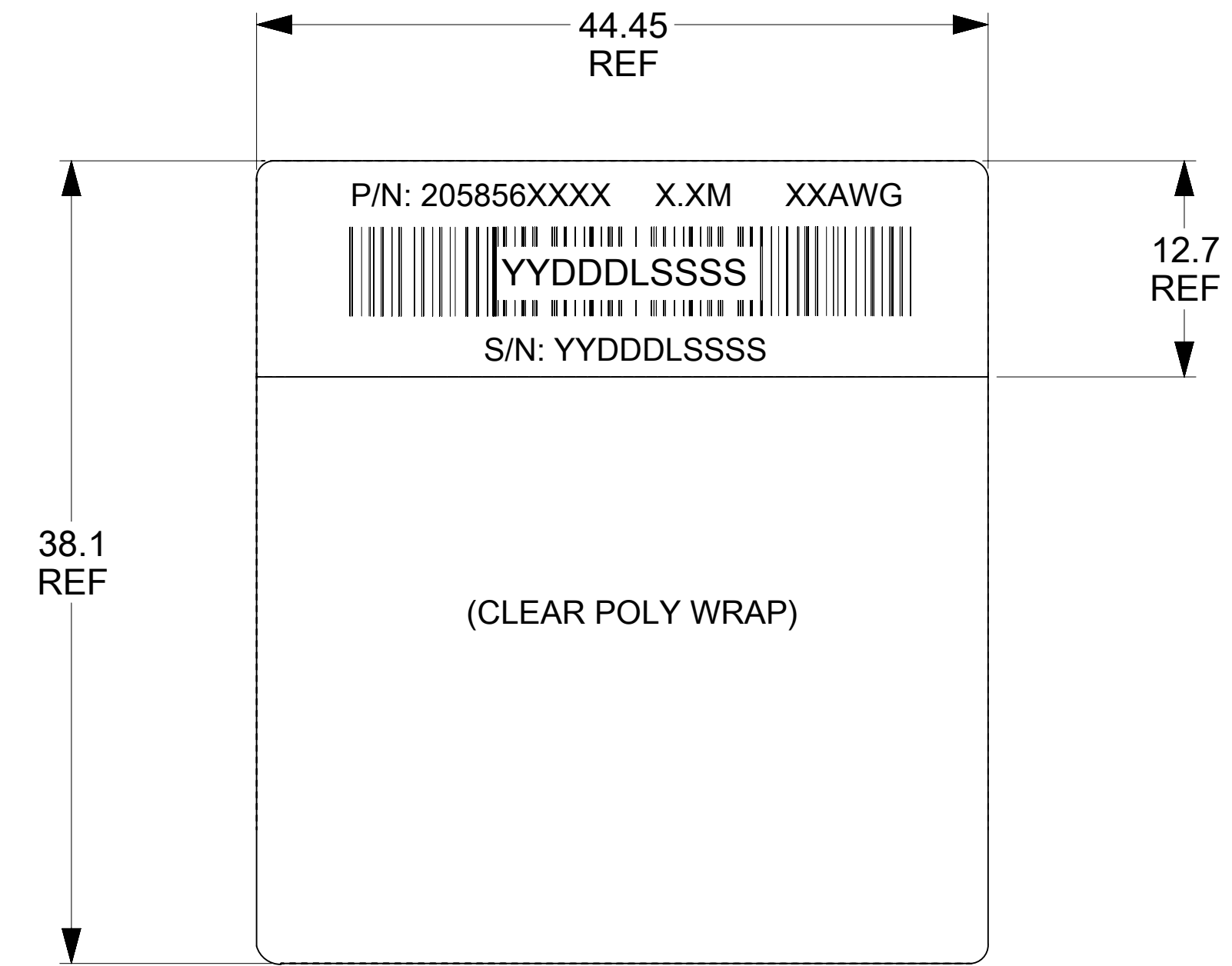
---> = TRANSMIT TO RECEIVE ON HIGH SPEED CIRCUITS

| | | | | | |
|--|---|--|---|-------------------------------|--|
| FUNCTIONAL SYMBOLS FA = 0 FC = 0 FP = 0 DIVISIONAL SYMBOLS | THIS DRAWING CONTAINS INFORMATION THAT IS PROPRIETARY TO MOLEX ELECTRONIC TECHNOLOGIES, LLC AND SHOULD NOT BE USED WITHOUT WRITTEN PERMISSION | | CURRENT REV DESC: SHT 2: UPDATED DDQ SIDE BEND RADIUS AND BEND SPACE VALUES | | QSF-DD-8ZSFP 56G CABLE ASSEMBLY PRODUCT CUSTOMER DRAWING |
| | DIMENSION UNITS mm | SCALE 1:1 | EC NO: 690921 DRWN: SKAMATHN 2022/01/05 CHK'D: ADITHK 2022/01/06 APPR: SCHANNARAYAN 2022/01/07 | | |
| | GENERAL TOLERANCES (UNLESS SPECIFIED) ANGULAR TOL ± ° | | INITIAL REVISION: DRWN: ZDANDURAND 2017/10/25 APPR: ADTUCKER 2017/10/27 | | |
| | 4 PLACES ± 3 PLACES ± 2 PLACES ± 1 PLACE ± 0 PLACES ± | DRAFT WHERE APPLICABLE MUST REMAIN WITHIN DIMENSIONS | | THIRD ANGLE PROJECTION | |
| DOCUMENT NUMBER 2058561005 | | DOC TYPE PSD | DOC PART 000 | REVISION L4 | MATERIAL NUMBER 205856 |
| SEE P/N TABLE | | CUSTOMER GENERAL MARKET | | SHEET NUMBER 3 OF 4 | |

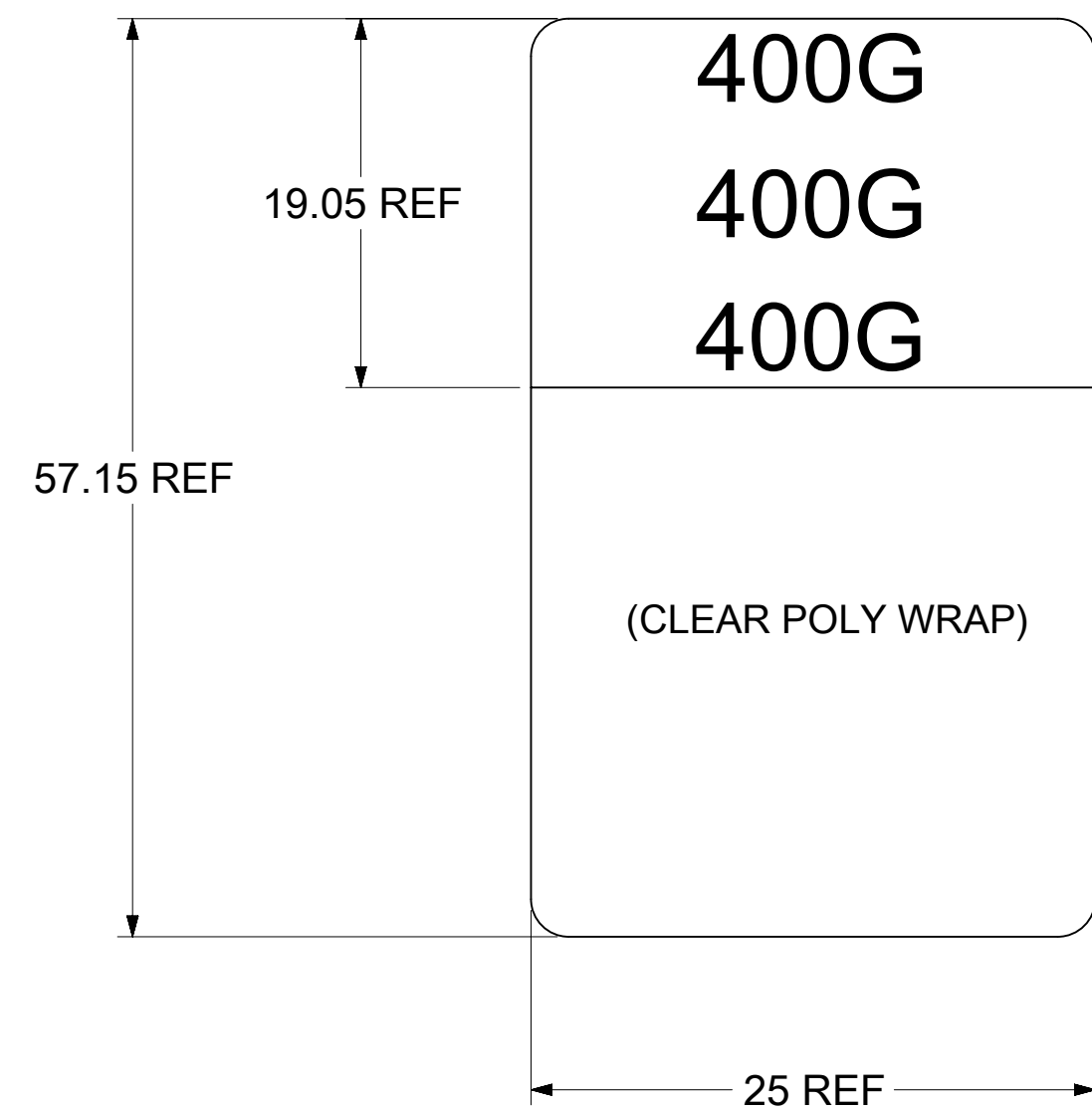
LEG ID LABEL



LABEL DETAILS



SPEED LABEL



P/N: 205856XXXX - MOLEX PART NUMBER (SEE P/N TABLE)

- X.XM - CABLE LENGTH IN METERS (EXAMPLES - 0.5M, 1.0M)
- XXAWG - CABLE SIZE IN AWG (SEE P/N TABLE)
- S/N: YYDDDLSSSS - SERIAL NUMBER
- YY - YEAR, THE LAST 2 DIGITS OF YEAR
- DDD - DAY OF THE YEAR
- L - LOCATION
- 1 - USA
- 2 - MEXICO
- 3 - CHINA
- 4 - PHILIPPINES
- SSSS - SERIAL NUMBER (0001-9999)

| | | | | | |
|---|---|----------|---|---------------|---------------------|
| FUNCTIONAL SYMBOLS $F_A = 0$ $F_C = 0$ $F_P = 0$ | THIS DRAWING CONTAINS INFORMATION THAT IS PROPRIETARY TO MOLEX ELECTRONIC TECHNOLOGIES, LLC AND SHOULD NOT BE USED WITHOUT WRITTEN PERMISSION | | CURRENT REV DESC: SHT 2: UPDATED DDQ SIDE BEND RADIUS AND BEND SPACE VALUES | | |
| | DIMENSION UNITS | SCALE | EC NO: 690921 | | |
| | GENERAL TOLERANCES (UNLESS SPECIFIED) | | DRWN: SKAMATHN 2022/01/05 | | |
| | ANGULAR TOL ± ° | | CHK'D: ADITHK 2022/01/06 | | |
| DIVISIONAL SYMBOLS 4 PLACES ± 3 PLACES ± 2 PLACES ± 1 PLACE ± 0 PLACES ± | DRAFT WHERE APPLICABLE MUST REMAIN WITHIN DIMENSIONS | | THIRD ANGLE PROJECTION | DRAWING | SERIES |
| | | | | D-SIZE | 205856 |
| | | | | SEE P/N TABLE | GENERAL MARKET |
| | | | | | SHEET NUMBER 4 OF 4 |
| DOCUMENT NUMBER | | DOC TYPE | DOC PART | REVISION | |
| 2058561005 | | PSD | 000 | L4 | |