

**Alkaline Manganese Button-type battery**

**23A Standard Data**

(Made in china)

2022/10/11

**TOSHIBA LIFESTYLE PRODUCTS & SERVICES CORPORATION**

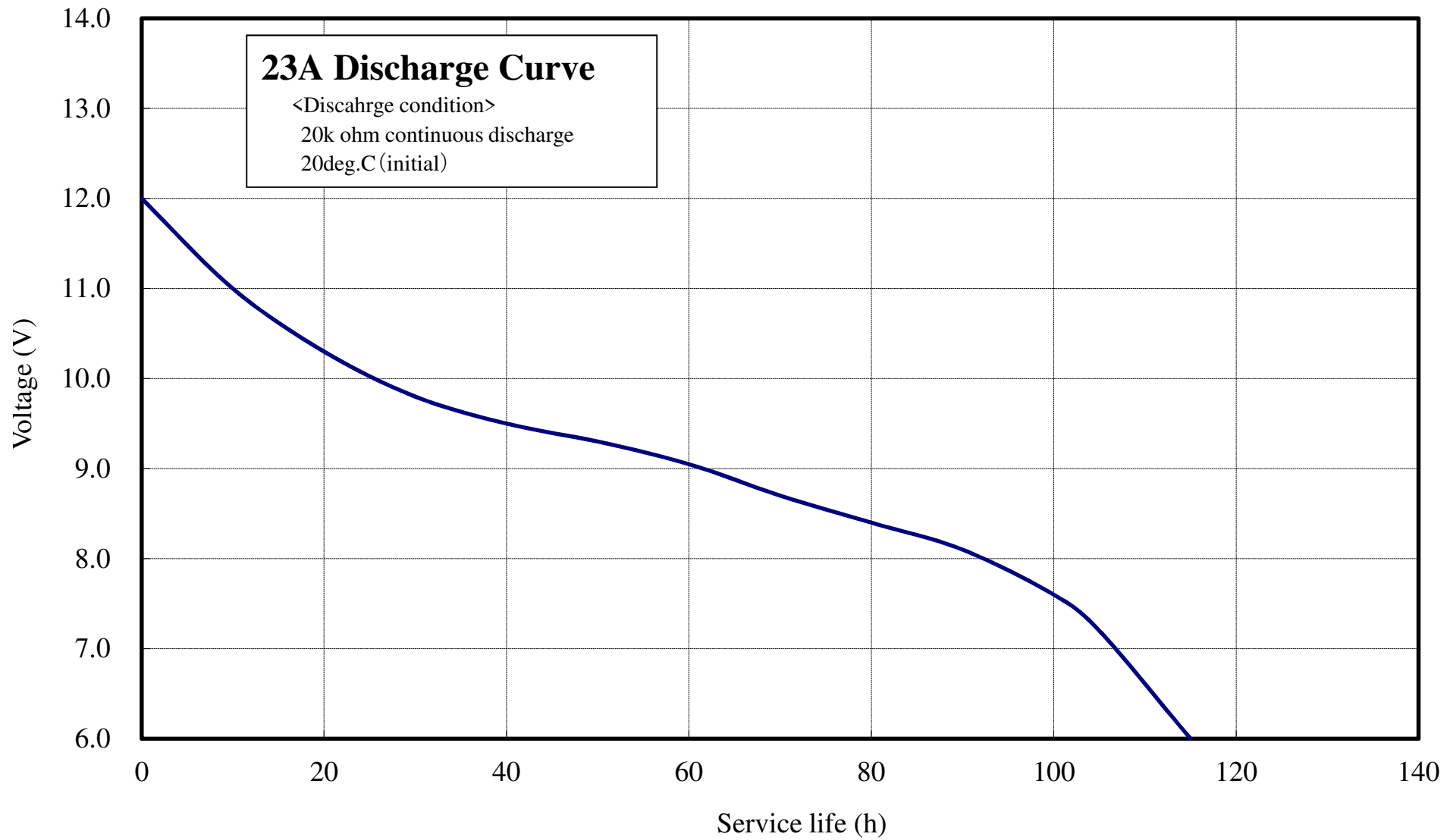
**Alkaline Manganese Button-type Battery 23A**

		Rating
Type		23A
Nominal voltage		12V
Standard weight ( Reference value )		7.95g
Terminal	(-) Negative	Ni Plated Steel
	(+) Positive	Ni Plated Steel
Dimensions	Diameter	φ10.10mm
	Over all height	28.5mm

aIY-P

This is only for reference.(not guaranteed.) The information contained herein may be changed without prior notice.

Proprietary materials of TOSHIBA LIFESTYLE PRODUCTS & SERVICES CORPORATION



This is only for reference.(not guaranteed.) The information contained herein may be changed without prior notice.

Proprietary materials of TOSHIBA LIFESTYLE PRODUCTS & SERVICES CORPORATION

**23A Leakage Performance**

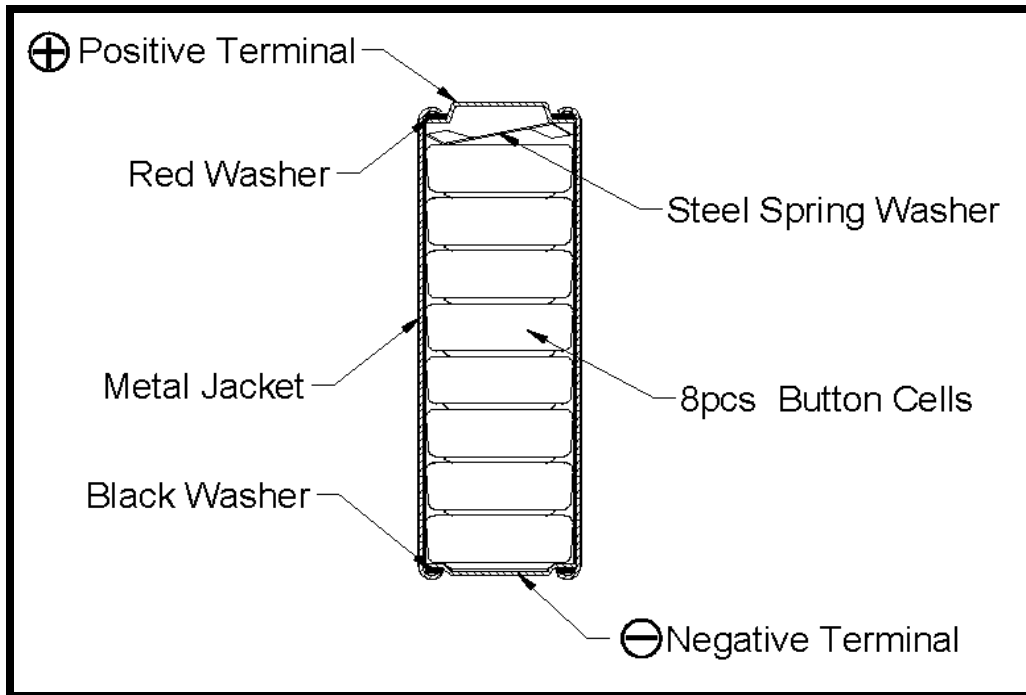
( n=20 )

	After 20days	After 40days	After 60days
45deg.C-90%RH	0%	0%	0%
60deg.C-Dry	0%	0%	0%

This is only for reference.(not guaranteed.) The information contained herein may be changed without prior notice.

Proprietary materials of TOSHIBA LIFESTYLE PRODUCTS & SERVICES CORPORATION

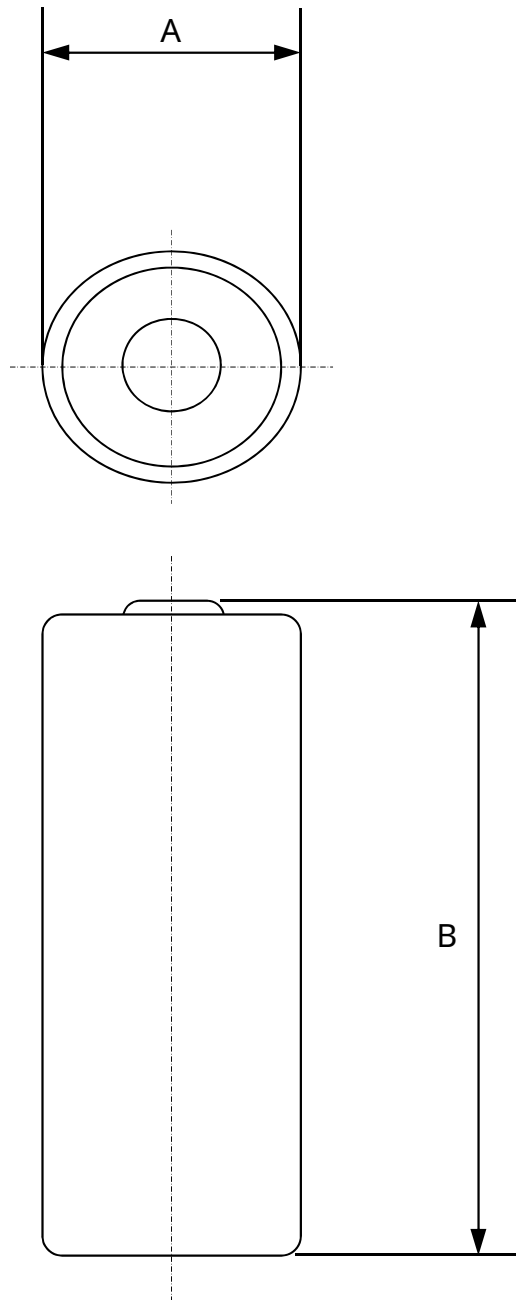
**23A Structural Drawing**



This is only for reference.(not guaranteed.) The information contained herein may be changed without prior notice.

Proprietary materials of TOSHIBA LIFESTYLE PRODUCTS & SERVICES CORPORATION

**23A Outline Drawing**



Mark	Dimensions
A	$\phi 10.15 \sim 9.90$
B	$28.30 \sim 27.70$

Unit : mm

This is only for reference.(not guaranteed.) The information contained herein may be changed without prior notice.

Proprietary materials of TOSHIBA LIFESTYLE PRODUCTS & SERVICES CORPORATION