



LineGard | PGFI Series

15 Amp Plug Series GFCI / ELCI

INTRODUCTION

The LineGard™ 15 Amp Plug Series is a ground fault circuit interrupter designed and manufactured by North Shore Safety, Ltd., a leader in innovated safety products. The PGFI product is rated for 15 amps at 120 VAC and available in either manual (safe start) or automatic reset configuration.

Standard offerings include products geared for maintenance repair organizations (MRO), original equipment manufacturers (OEM) or general portable power applications. MRO products are supplied with heavy-duty 12/3 conductor high flex (indoor/outdoor) safety yellow cable (SJTW type) capable of withstanding heavy trade or industrial use. OEM products are configured with robust 14/3 conductor (indoor/outdoor) black cable (SJTW type) for integration into trade related equipment. All products are industrial/trade grade tough and are backed by a 2 year manufacturer's warranty. Note that any cord or equipment updated with this device becomes OSHA compliant for power usage in a confined space and NEC compliant to NEC 590.6 (a) and (b).

FEATURES

- Bright LED power indicator
- Recessed interface buttons reduce damage and nuisance tripping from rough service
- High strength polycarbonate housing
- Class A cULus 943 listed with load side connector assemblies
- Assemblies without load side connectors are UL recognized for use under UL 943
- NEMA 3R rated (indoor / outdoor use)
- Assembly is rated for 15 amps / 120 VAC
- Available in automatic or manual reset configurations*
- Available with single or tri-tap plug assembly

SPECIFICATIONS

Listing Type	cULus Listed Class A UL 943
Rated Supply Voltage	120VAC
Rated Current	Up to 15 Amps or rating of wiring device and/or cable
Trip Level, Class A	5mA +/- 1mA (UL 943)
Operating Frequency	60 Hz
Reset Type¹	Automatic or Manual
Ground Trip Current	4 mA to 6 mA
Overload Current	90 Amps @ 125VAC
Insulation Voltage	1,500 VRMS for 1 minute
Endurance Operations	3000 operations

1. Manual configuration should be specified if automatic start-up after power restoration of circuit power creates an unsafe condition.

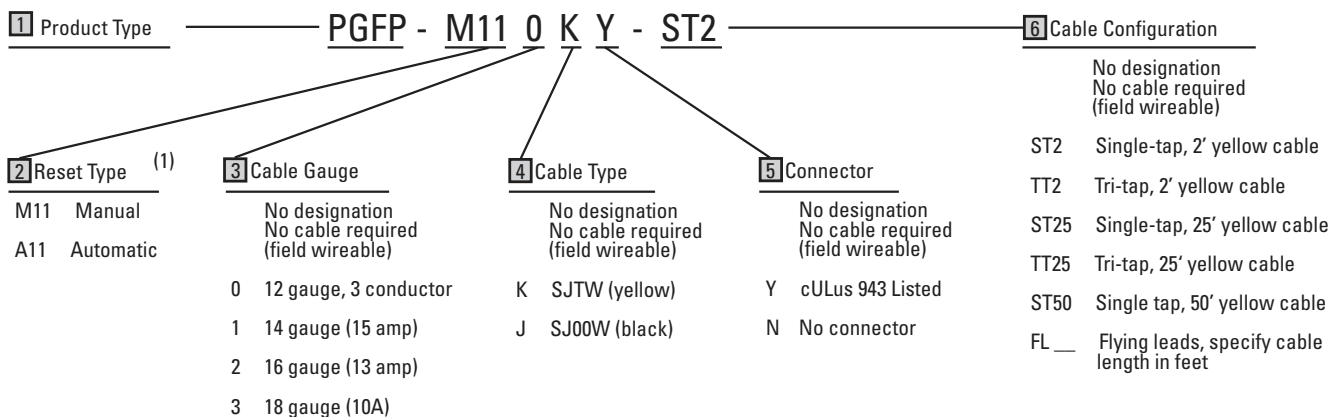
2. Integrated or replacement cable must be indoor/outdoor 3-conductor cable of type ST, SJT, SE, SJE, SO or SJO

RELATED CODES	
Confined Space	OSHA 29 CFR 1926.404 (b)(1)(ii), OSHA 29 CFR 1926.405 (a)(2)(ii)(G)
Construction Sites	(NEC 590.6)
Commercial Garages	(NEC 511.12)
Outdoor Signs	(NEC 600.10)
Fountains & Water Displays	(NEC 680.58)
Spa & Hot Tubs	(NEC 680.40)
Marinas & Boat Yards	(NEC 555.3)

APPLICATION OPPORTUNITIES:

- Electrical wet locations
- Power generators
- Agricultural equipment
- Outdoor electrical equipment
- Cement cutting equipment
- Portable electric heaters
- Submersible pumps
- Pipeline heaters
- Automotive garages
- Industrial part washers
- Outdoor signage
- Vending equipment

DECISION TABLES



Note: 1. Manual configuration should be specified if automatic power-up, after power restoration of circuit power, could create an unsafe condition.
2. Integrated or replacement cable must be indoor/outdoor 3-conductor cable of type ST, SJT, SE, SJE, S0 or SJO
3. Custom cord sets are available. Please consult Airpax for other options

