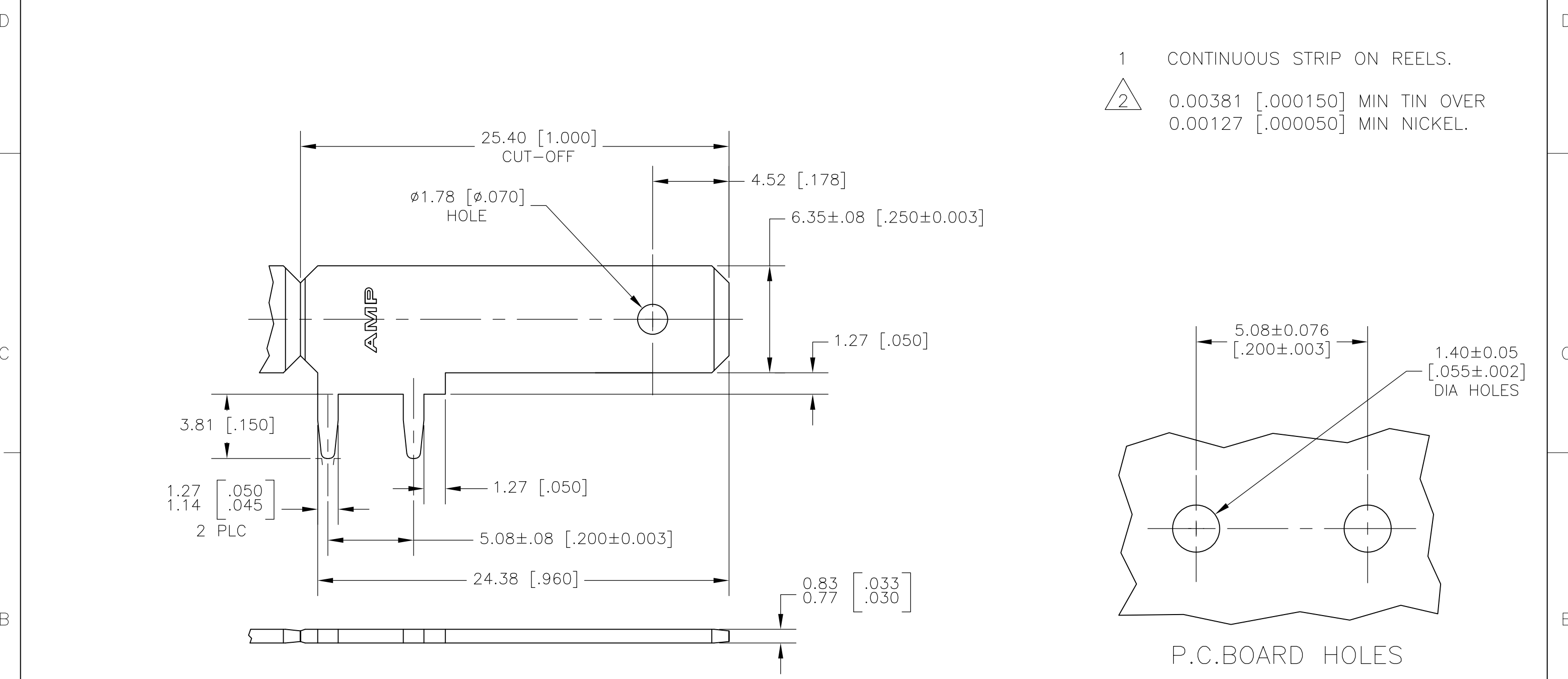


THIS DRAWING IS UNPUBLISHED. RELEASED FOR PUBLICATION
 © COPYRIGHT - By - ALL RIGHTS RESERVED.

LOC	DIST	REVISIONS					
AF	50	P	LTR	DESCRIPTION	DATE	DWN	APVD
		G		REVISED PER ECR-13-001204	24JUN13	KH	PD



- 1 CONTINUOUS STRIP ON REELS.
- 2 0.00381 [.000150] MIN TIN OVER
0.00127 [.000050] MIN NICKEL.

63952-1
PART NO.

THIS DRAWING IS A CONTROLLED DOCUMENT.		DWN	JR RUTH	11DEC00	STE TE Connectivity		
DIMENSIONS: mm [INCHES]		CHK	MS FEHER	11DEC00			
TOLERANCES UNLESS OTHERWISE SPECIFIED:		APVD	G PORTA	11DEC00	NAME		
0 PLC ± -		PRODUCT SPEC		TAB, FASTON, 6.35 [.250] SERIES			
1 PLC ± -		APPLICATION SPEC		SIZE			
2 PLC ± 0.25 [.010]		114-2115		CAGE CODE	DRAWING NO	RESTRICTED TO	
3 PLC ± -		WEIGHT		A3	00779	C-63952	
4 PLC ± -		CUSTOMER DRAWING		SCALE	SHEET	REV	
ANGLES ± -		SCALE		5:1	1 OF 1	G	
FINISH		SCALE		SHEET			
BRASS		SCALE		1 OF 1			
2		SCALE		REV			
		SCALE		G			