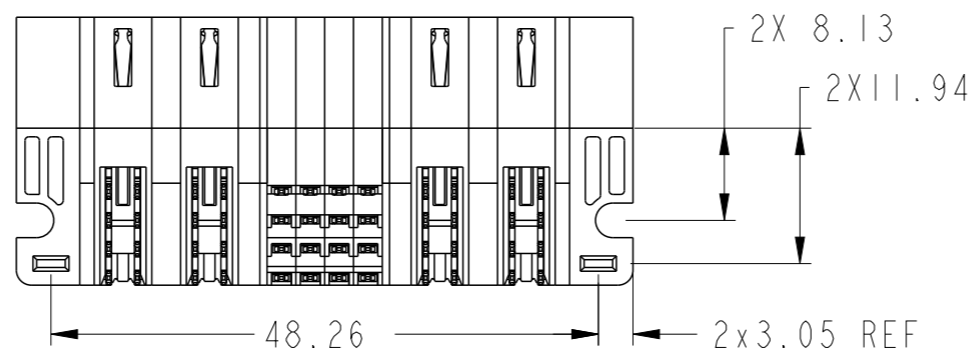
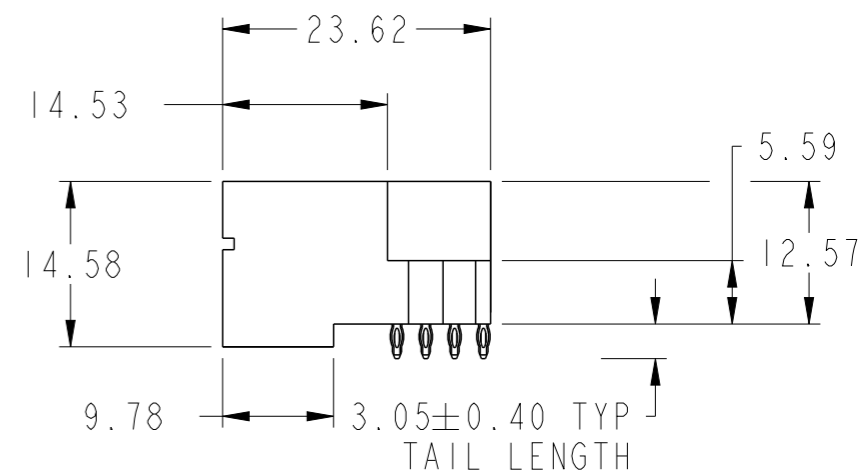
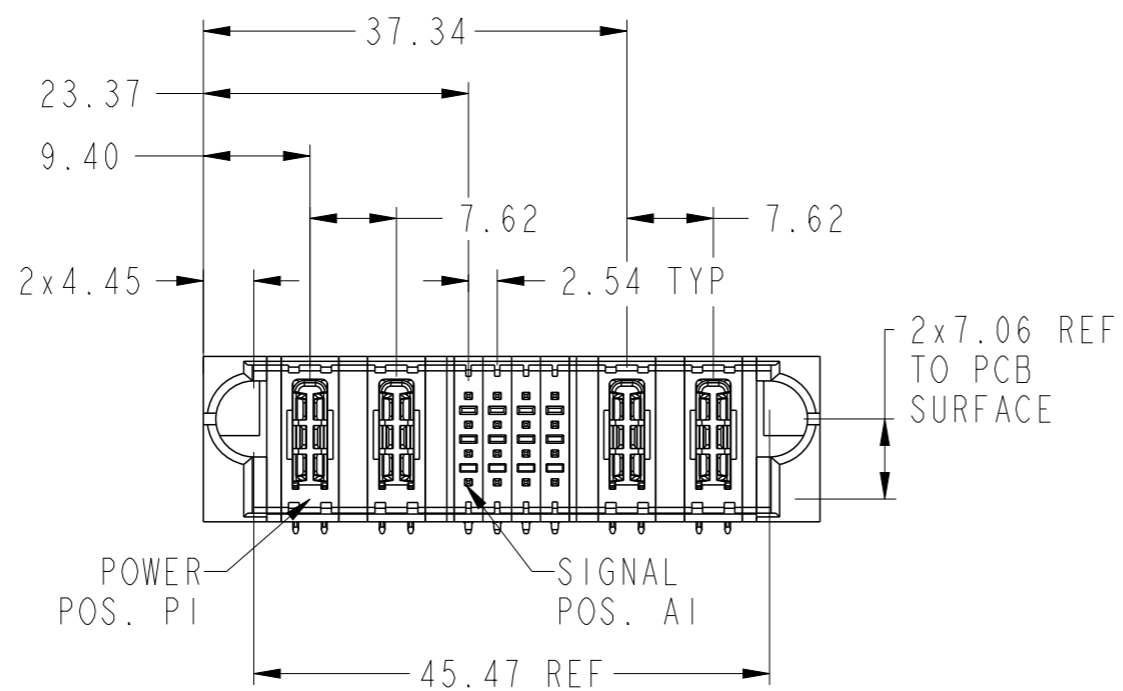
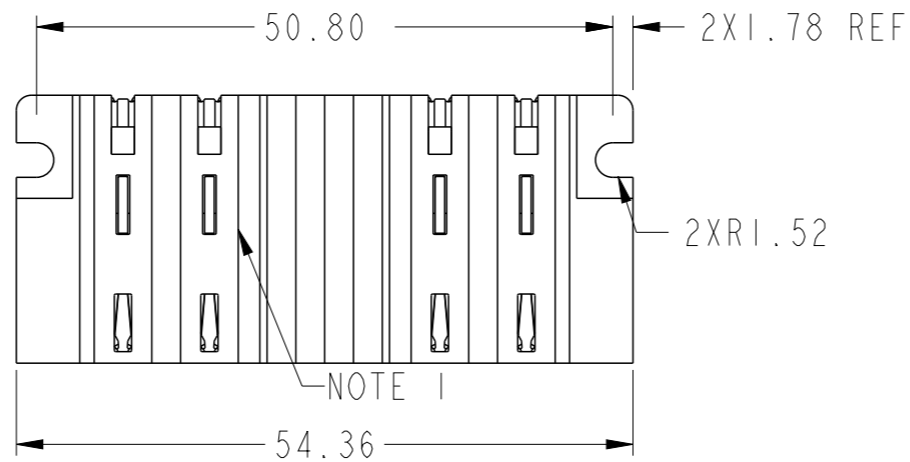


PRODUCT NUMBER SEE SHEET 2

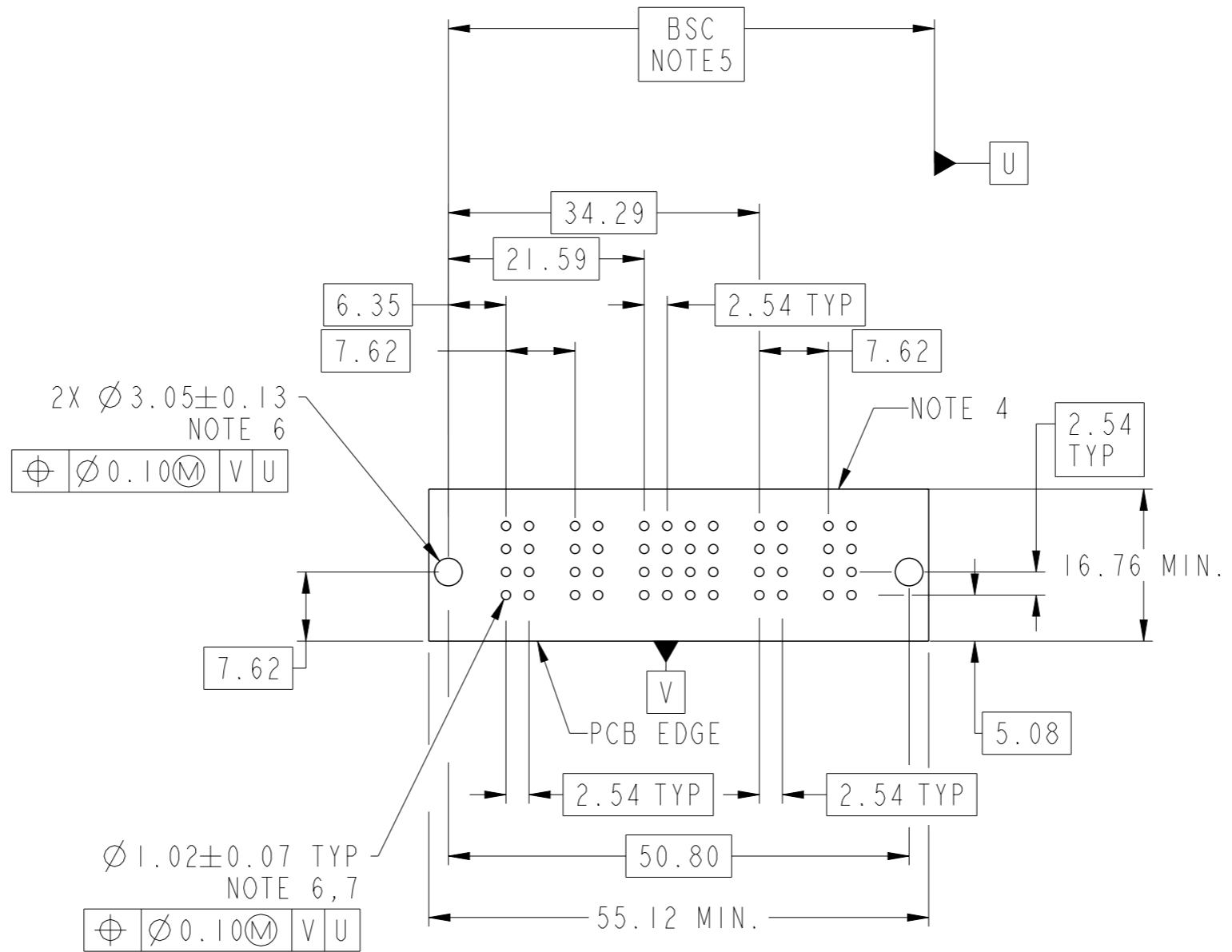


spec ref	dr	Vicking Liu	2016/06/02	projection	MM	size	A3	scale	3:2	
tolerance std	eng	Vicking Liu	2016/10/14			ecn no	-	rel level	Released	
ISO0406 ISO 1101	chr	Fancy Zhang	2016/10/14							
surface linear angular	TOLERANCES UNLESS OTHERWISE SPECIFIED 0.X ±0.5 0.XX ±0.25 0.XXX ±0.10 0° ±2°	appr	Pei-Ming Zheng	2016/10/14	product family	PwrBlade+		rel level	Released	
		Amphenol FCI				part no	2ACP +16S + 2ACP		dwg no	10106117-4004001
		RA PLUG PF				cat. no.	Product - Customer Drw		rev	A
ISO 1302				sheet 1 of 3		sheet 1 of 3		sheet 1 of 3		

Amphenol FCI

© 2016 AFCI

PRODUCT NO.	ROWS	HP		SIGNAL				HP		E2
		E1	P1	P2	1	2	3	4	P3	
10106117-4004001LF	DCBA	HE	HE	SD	SC	SB	SA	HE	HE	



CODE	DESCRIPTION
HE	STD HIGH POWER CONTACT (3.05)
LA	LMFB SIGNAL CONTACT, ROW A (3.05)
SA	STD SIGNAL CONTACT, ROW A (3.05)
SB	STD SIGNAL CONTACT, ROW B (3.05)
SC	STD SIGNAL CONTACT, ROW C (3.05)
SD	STD SIGNAL CONTACT, ROW D (3.05)

spec ref	dr	Vicking Liu	2016/06/02	projection	MM	size	A3	scale	3:2		
tolerance std	eng	Vicking Liu	2016/10/14			ecn no	-	rel level	Released		
ISO0406 ISO 1101	chr	Fancy Zhang	2016/10/14								
surface	TOLERANCES UNLESS OTHERWISE SPECIFIED	appr	Pei-Ming Zheng	2016/10/14	product family	PwrBlade+		dwg no	10106117-4004001	rev	A
					linear	0.X	±0.5				
ISO 1302	angular	0°	±2°	cat. no.	Product - Customer Drw		sheet 2 of 3				

Amphenol FCI

© 2016 AFCI

NOTES:

- 1) PRODUCT MARK:
PART NUMBER AND DATE CODE TO BE MARKED ON THIS SURFACE .
THE MARK CAN BE OMITTED IF THERE IS NOT ENOUGH SPACE ON THIS SURFACE.
- 2) MATERIALS:
-HOUSING : HIGH TEMP THERMOPLASTIC WITH GLASS FIBER, UL94V-0, BLACK.
-POWER CONTACT : HIGH CONDUCTIVITY COPPER ALLOY.
-SIGNAL CONTACT : COPPER ALLOY.
- 3) PLATING SPECIFICATION : 10116351
- 4) DENOTES CONNECTOR KEEP OUT ZONE.
- 5) DATUM AND BASIC DIMENIONS ARE ESTABLISHED BY CUSTOMER.
- 6) ALL HOLE DIAMETERS ARE FINISHED HOLE SIZES.
- 7) 1.15+/-0.025MM DRILLED HOLE PLATED WITH 0.00762MM MIN SN
OVER 0.0254-0.0762MM CU PLATING TO ACHIEVE A 1.02+/-0.07MM HOLE.
- 8) THIS PRODUCT MEETS EUROPEN UNION DIRECTIVES AND OTHER COUNTRY
REGULATIONS AS DESCRIBED IN GS-47-0004.
- 9) PRODUCT SPECIFICATION : GS-12-658.
APPLICATION SPECIFICATION : GS-20-141.
PRODUCT PACKAGE SPECIFICATION: GS-14-1502.

Amphenol
FCi

© 2016 AFCI

spec ref		dr	Vicking Liu	2016/06/02	projection	MM	size	A3	scale	3:2	
tolerance std		eng	Vicking Liu	2016/10/14		←→	ecn no		-		
ISO0406 ISO 1101		chr	Fancy Zhang	2016/10/14			rel level		Released		
TOLERANCES UNLESS OTHERWISE SPECIFIED		appr	Pei-Ming Zheng	2016/10/14	product family		PwrBlade+				
surface	linear	0.X	±0.5	Amphenol FCi	2ACP +16S + 2ACP RA PLUG PF		dwg no	10106117-4004001		rev	A
		0.XX	±0.25								
	0.XXX	±0.10									
ISO 1302	angular	0°	±2°	cat. no.	Product - Customer Drw		sheet 3 of 3				