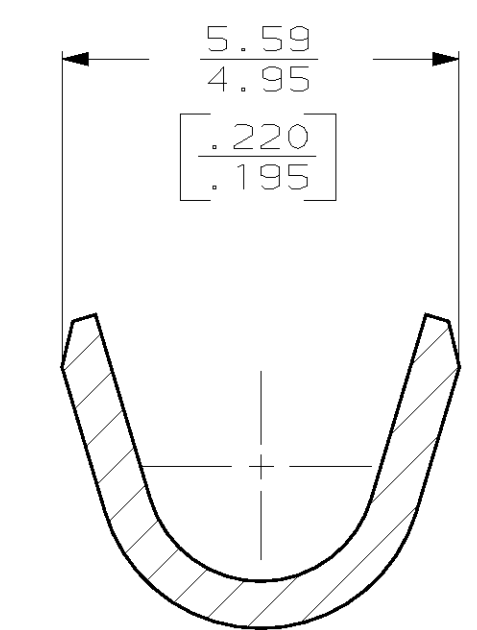
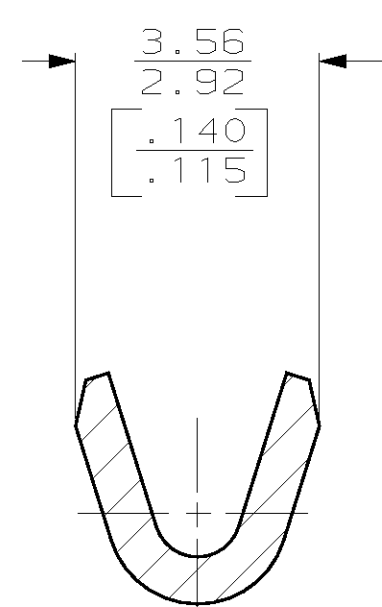
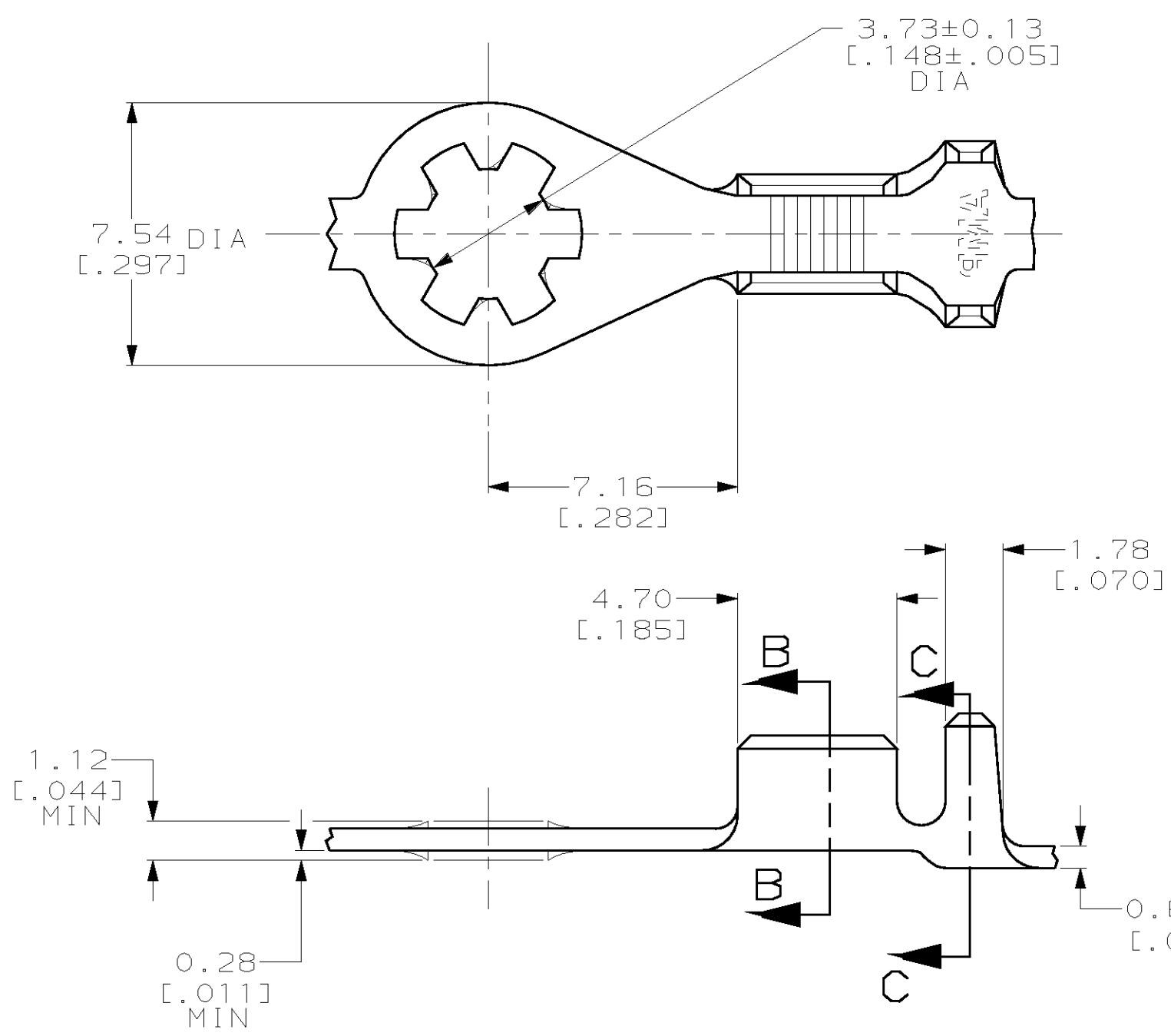


THIS DRAWING IS UNPUBLISHED. RELEASED FOR PUBLICATION, 19 .
 © COPYRIGHT 19 BY AMP INCORPORATED. ALL RIGHTS RESERVED.

LOC	DIST	REVISIONS					
		P	LTR	DESCRIPTION	DATE	DWN	APVD
AF	50		A	RELEASE PER 0L10-0006-98	22/JAN/98	PF	GY

1 CONTINUOUS STRIP ON REEL.



SECTION A-A
SCALE 10:1

SECTION B-B
SCALE 10:1

2.03-3.05 [.080-.120] DIA	22-18 AWG	1217018-1
INSULATION RANGE	WIRE RANGE	PART NUMBER

THIS DRAWING IS A CONTROLLED DOCUMENT.		DWN PHILLIP M FORTNEY 29/SEP/97	AMP Incorporated Harrisburg, PA 17105-3608			
DIMENSIONS: mm [INCHES]	TOLERANCES UNLESS OTHERWISE SPECIFIED:	CHK JEFF R RUTH 29/SEP/97	NAME AMP TERMINAL, RING			
		APVD GARY YETTER 29/SEP/97				
MATERIAL H04 BRASS	FINISH 0.002032 [.000080] MIN TIN PLATE PER MIL-T-10727	PRODUCT SPEC -	SIZE A3	CAGE CODE 00779	DRAWING NO C- 1217018	RESTRICTED TO -
		APPLICATION SPEC -	WEIGHT -	SCALE 6:1	SHEET 1 OF 1	REV A
		CUSTOMER DRAWING				