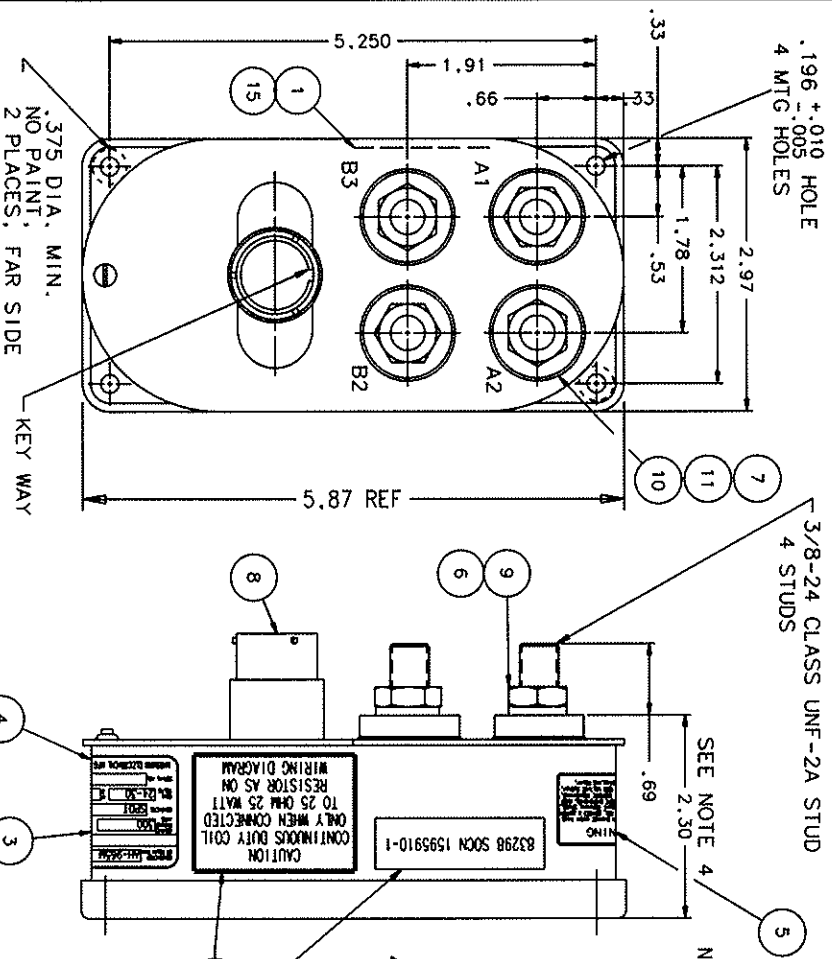


CONFIGURATION CONTROLLED

REVISIONS		RELEASED	DATE	APPROVED
P	33167	REDRAWN, 2.30 WAS 2.14, NOTE 4 ADDED, BALLONS 3,13 & 5,14 REVERSED	97/07/02	RS
R	39158	ITEM 14 REMOVED	99/04/13	RS



CONSTRUCTION
 MAX OPERATING VOLTAGE
 PICKUP VOLTAGE
 DROPOUT VOLTAGE
 RATED LOAD (RESISTIVE)
 COIL CURRENT (AT 28V 25°C)

INITIAL HOLDING
 MIN. OPERATING PERIOD
 RATED DUTY
 AMBIENT TEMP RANGE
 AUX. CONTACTS
 AUX. CONTACT RATING
 WEIGHT

HERMETICALLY SEALED
 SEE NOTE 3.

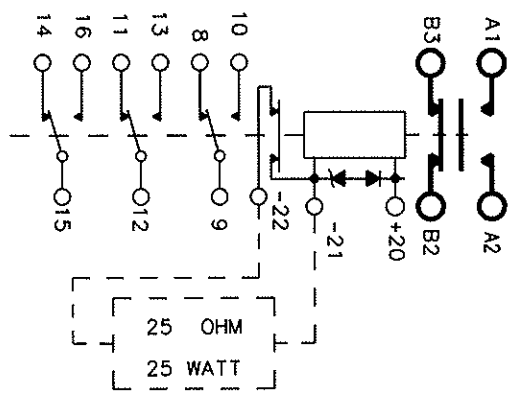
3/8-24 CLASS UNF-2A STUD
 4 STUDS

SEE NOTE 4

CAUTION
 CONTINUOUS DUTY COIL
 ONLY WHEN CONNECTED
 TO 25 OHM 25 WATT
 RESISTOR AS ON
 WIRING DIAGRAM

83298 SOCN 1595910-1

- NOTES:
- DUTY CYCLE CONTINUOUS FROM +20 TO -22, INTERMITTENT 3 MIN. MAX. +20 TO -21 - EXTERNAL RES. NOT SUPPLIED.
 - A "N" IS PLACED AFTER THE S/N ON ALL UNITS AFTER S/N CI-32925 AND REPAIRS AFTER 94/05/01 TO SIGNIFY INCORPORATION OF ENCLOSED AUX. SWITCHES AND A MAIN CONTACT ISOLATION PLATE.
 - A "P" IS PLACED AFTER THE S/N ON ALL UNITS AFTER S/N CI-74974 AND REPAIRS AFTER 96/07/01 TO SIGNIFY THE INCORPORATION OF HARTMAN P/N 50301-082 AUXILIARY SWITCH.
 - LUG SEAT DIMENSION INCREASED TO 2.30 (WAS 2.14) ON ALL UNITS AFTER S/N CI-93560P
- WHEN PURCHASED TO CUSTOMER PART NUMBER, STAMP CUSTOMER P/N 83298 SOCN 1595910-1



ITEM	QTY	PART OR IDENTIFYING NO	NOMENCLATURE OR DESCRIPTION	FSM NO	DRAWING OR SPECIFICATION	MATERIAL OR NOTE
15	2	39529-038	OVERLAY			
14	1	39529-023	OVERLAY			
13	1	38199-001	PLATE-CAUTION			
12	1	13121-001	TERMINAL INSULATING CUP			
11	4	13120-001	LUG SEAT 200 AMP (1/8 THICK)			
10	4	51807-084	WASHER-3/8X.686X.094 SPLIT			
9	4	52512-011	CONNECTOR-MS-27471Y-130-35P			
8	1	51704-024	WASHER-5/8X25/64X.062 FL.			
7	4	50407-164	NUT-3/8-24 X 5/8X3/32 HEX			
6	1	17959-001	PLATE - WARNING			
5	1	37188-020	CONTACTOR ASSEM - PRIMARY			
4	1	16043-001	PLATE - NAME (LOCATION OPTIONAL)			
3	1	37386-001	PLATE - WIRING DIAGRAM			
2	1					
1	1					

MIN. OPERATING PERIOD
 RATED DUTY
 AMBIENT TEMP RANGE
 AUX. CONTACTS
 AUX. CONTACT RATING
 WEIGHT

HERMETICALLY SEALED
 SEE NOTE 3.

30 VDC
 16 V MAX
 10 -8.5
 300 AMP (3000 RUPTURE)
 NOTE:
 3 AMP
 1 AMP
 3 HOURS
 CONTINUOUS
 -65° TO 120°C
 3PDT
 5 AMP, 28V
 2.75 LBS.

REF	DESCRIPTION	DATE	BY	CHK BY	ENG BY	MFG	RELEASE	CONTR NO.	GOVT Appvl
BENDIX 1595910-1									
MES/99/04/30									
9/05/07									
9/05/12									