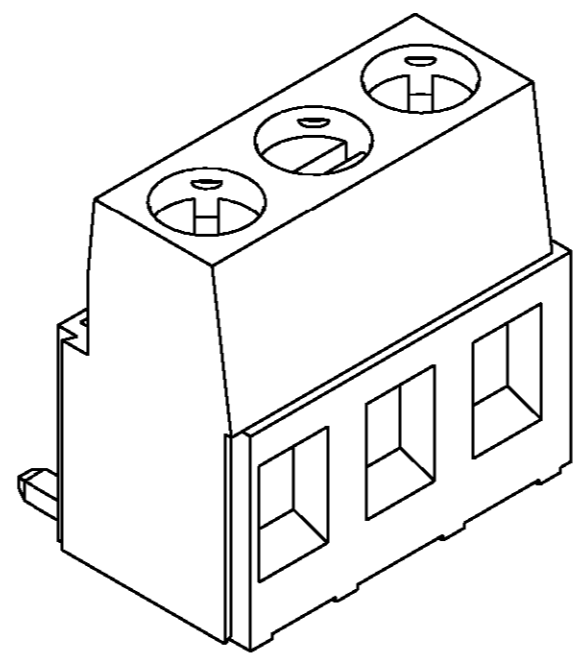
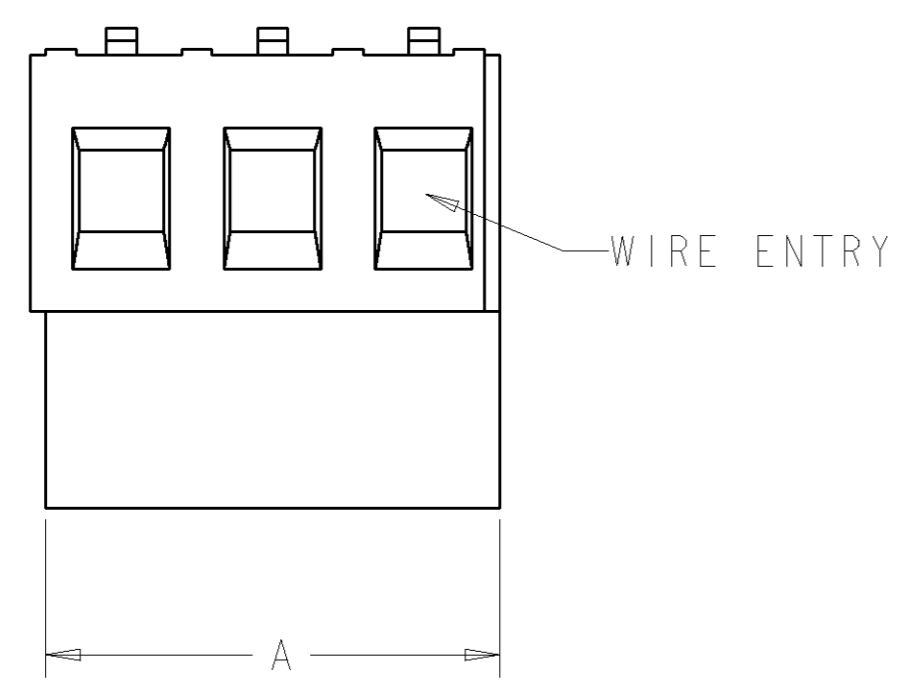
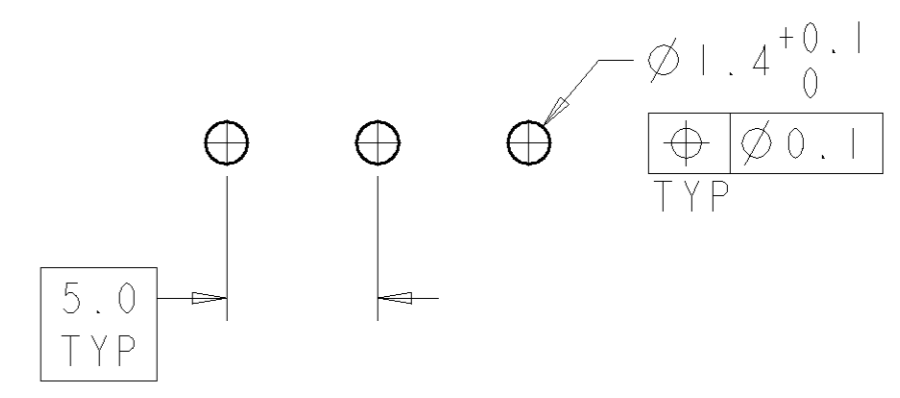


THIS DRAWING IS UNPUBLISHED. RELEASED FOR PUBLICATION 20  
 © COPYRIGHT 20 BY TYCO ELECTRONICS CORPORATION. ALL RIGHTS RESERVED.

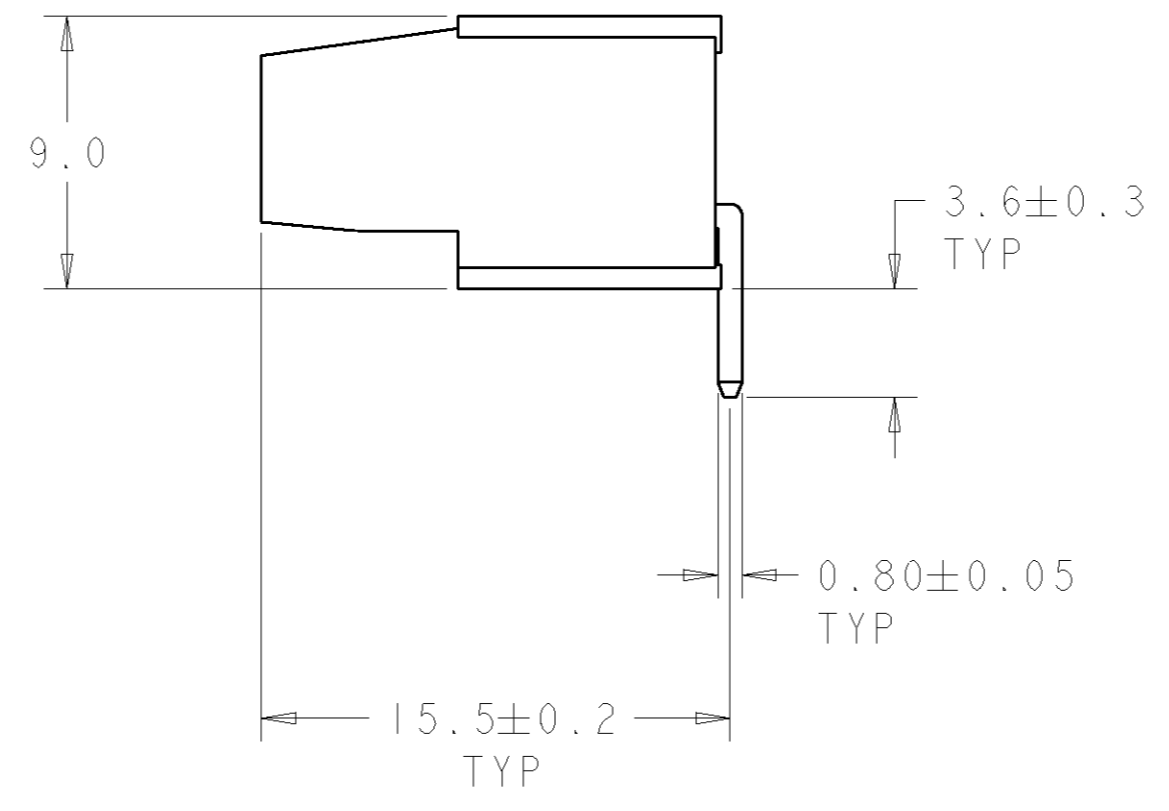
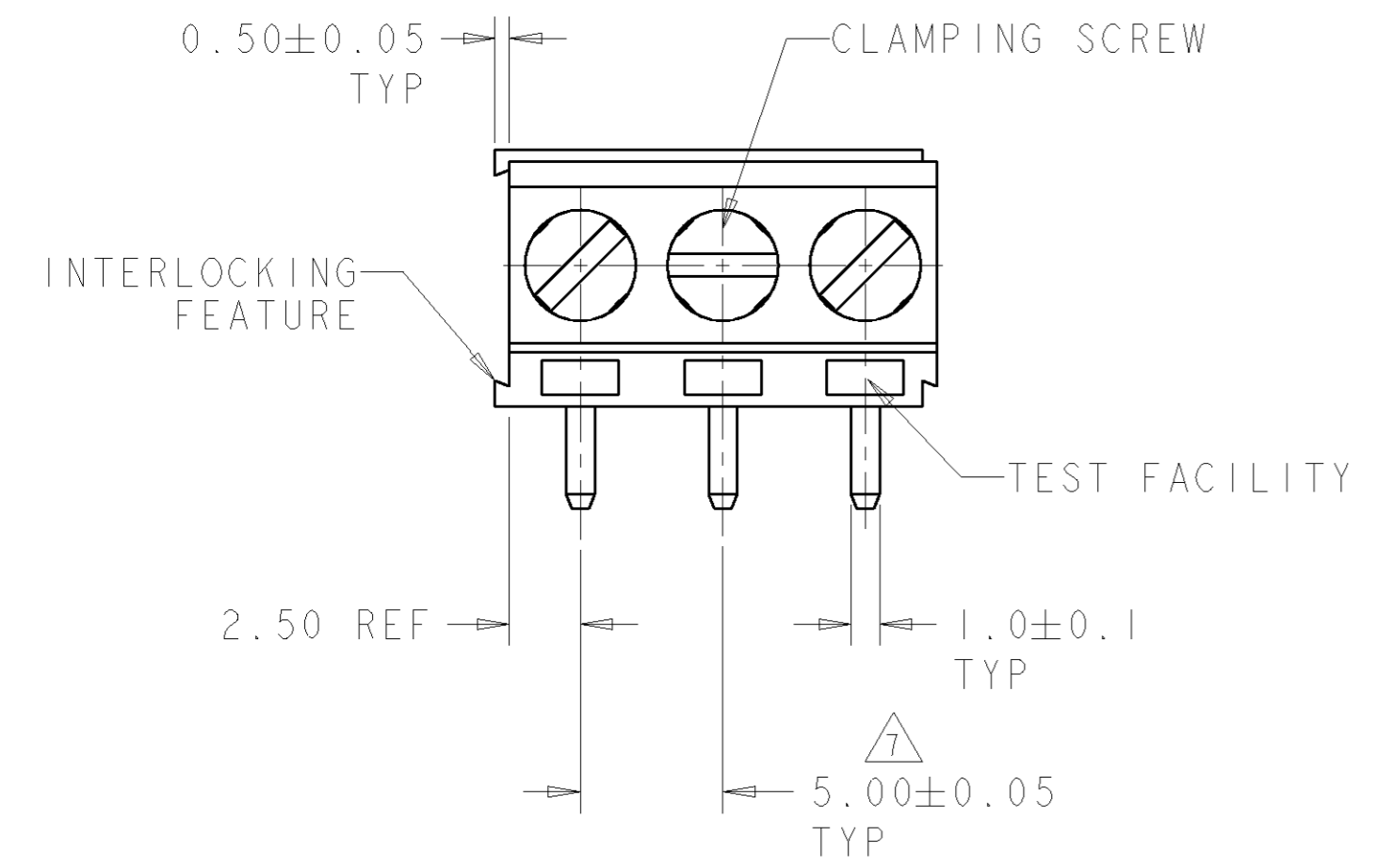
LOC	DIST	REVISIONS					
FT	0	P	LTR	DESCRIPTION	DATE	DWN	APVD
			0	RELEASED	-	-	-



796748-3 AS SHOWN



RECOMMENDED PC BOARD LAYOUT



1 MATERIALS AND FINISH  
 HOUSING: PA 6-6, UL 94-V0, COLOR GREEN.  
 CLAMP: BRASS, NICKEL PLATED.  
 TERMINAL: BRASS, TIN PLATED.  
 CLAMPING SCREW: M3, BRASS, NICKEL PLATED.

- SUITABLE FOR 1,6-2,4mm PC BOARD THICKNESS.
- END-TO-END STACKABLE W/INTERLOCK WITHOUT LOSS OF CENTERLINE SPACING.
- WIRE RANGE: 12-30 AWG.
- RECOGNIZED UNDER THE COMPONENT PROGRAM OF UNDERWRITERS LABORATORIES INC. FILE N° E60677.
- IMQ CERTIFICATE WITH SURVEILLANCE IN CONFORMITY WITH IEC 998-1/998-2-1.

7 NOT CUMULATIVE TOLERANCE.

125	25	2-796748-5
120	24	2-796748-4
115	23	2-796748-3
110	22	2-796748-2
105	21	2-796748-1
100	20	2-796748-0
95	19	1-796748-9
90	18	1-796748-8
85	17	1-796748-7
80	16	1-796748-6
75	15	1-796748-5
70	14	1-796748-4
65	13	1-796748-3
60	12	1-796748-2
55	11	1-796748-1
50	10	1-796748-0
45	9	796748-9
40	8	796748-8
35	7	796748-7
30	6	796748-6
25	5	796748-5
20	4	796748-4
15	3	796748-3
10	2	796748-2
A	NO OF POSN	PART NUMBER

THIS DRAWING IS A CONTROLLED DOCUMENT FOR TYCO ELECTRONICS CORPORATION. IT IS SUBJECT TO CHANGE AND THE CONTROLLING ENGINEERING ORGANIZATION SHOULD BE CONTACTED FOR THE LATEST REVISION.		DWN S. WELDON 08 JAN 2003	Tyco Electronics Harrisburg, PA 17105-3608	
DIMENSIONS: mm		CHK C. RICHARD 08 JAN 2003	NAME TERMINAL BLOCK, PCB MOUNT TOP ENTRY WIRE, STACKING W/ INTERLOCK, 5.0 mm PITCH	
TOLERANCES UNLESS OTHERWISE SPECIFIED: 0 PLC ± 1 PLC ±0.3 2 PLC ±0.25 3 PLC ± 4 PLC ±		APVD C. RICHARD 08 JAN 2003	SIZE A2	
MATERIAL		PRODUCT SPEC -	CAGE CODE 00779	DRAWING NO 796748
FINISH		APPLICATION SPEC -	RESTRICTED TO -	SCALE 3:1
1		WEIGHT -	SHEET 1	OF 1
CUSTOMER DRAWING		REV 0		