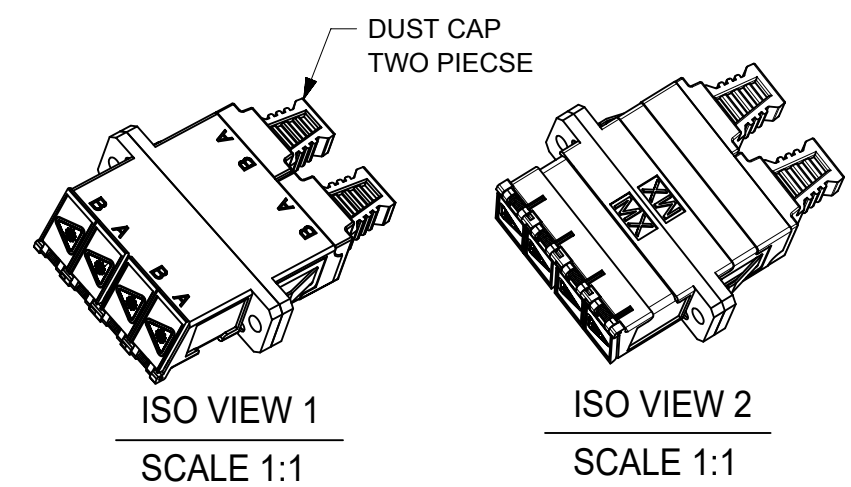
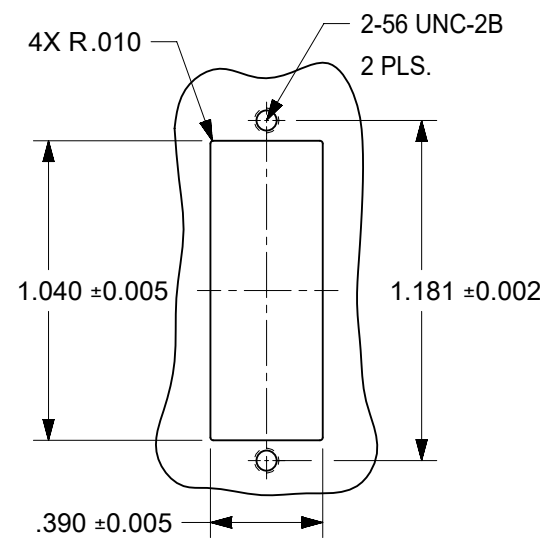
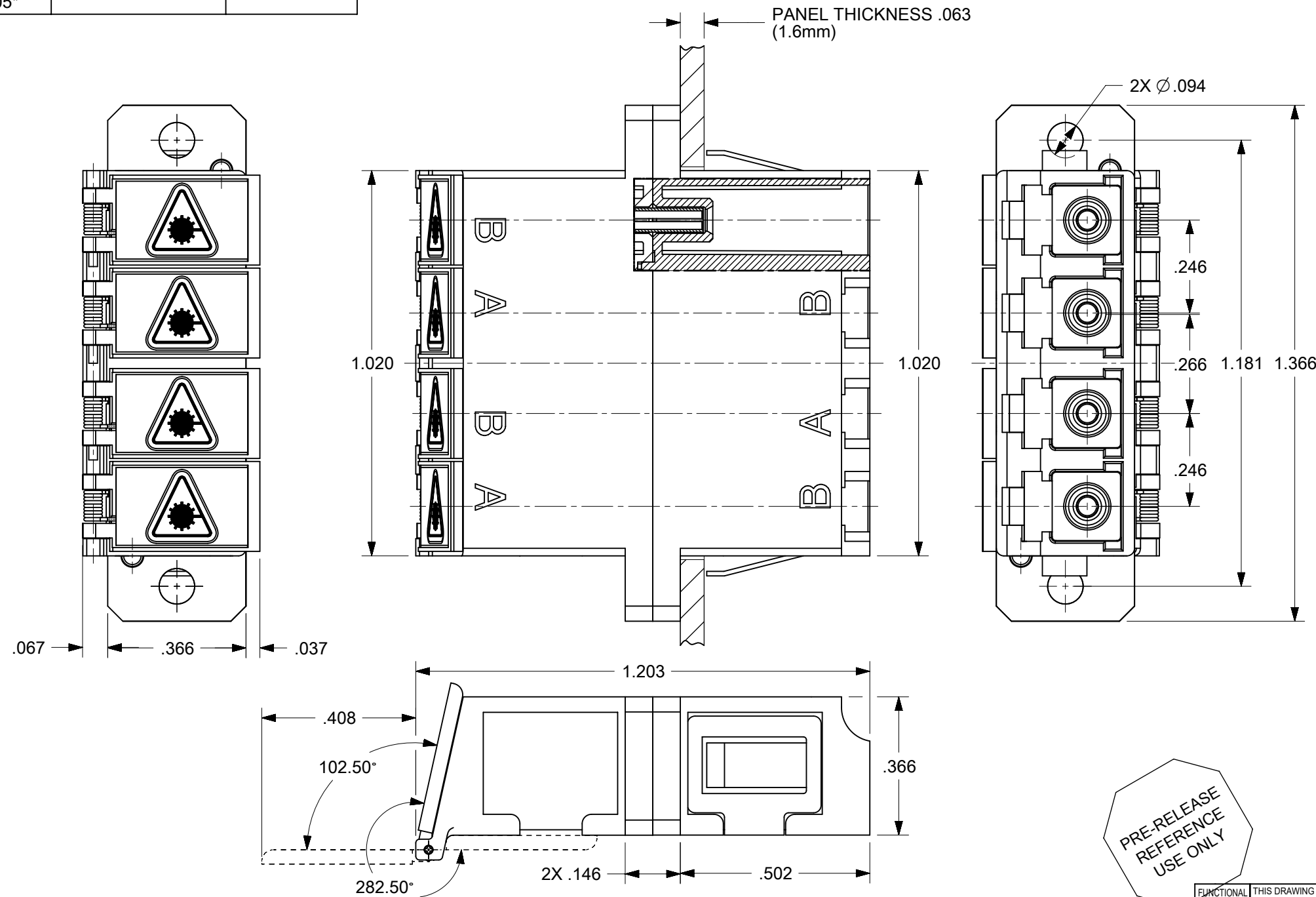


LC QUAD ADAPTER P/N	LC QUAD ADAPTER COLOR	SPLIT SLEEVE MATERIAL
106123-0200	BLUE	ZR
106123-0205*		
106123-1200	BEIGE	
106123-1205*		
106123-2200	GREEN	
106123-3200	AQUA	
106123-3205*		



PRE-RELEASE REFERENCE USE ONLY

NOTES:

1. ALL DIMENSIONS ARE FOR REFERENCE
2. DUST CAPS NOT SHOWN ON FRONT, BOTTOM AND RIGHT VIEW.
3. LC QUAD ADAPTER HAS SC DUPLEX ADAPTER FOOTPRINT.
4. P/NS MARKED WITH(*) ARE BULK PACKED IN QUANTITIES OF 100PCS

FUNCTIONAL SYMBOLS	THIS DRAWING CONTAINS INFORMATION THAT IS PROPRIETARY TO MOLEX ELECTRONIC TECHNOLOGIES, LLC AND SHOULD NOT BE USED WITHOUT WRITTEN PERMISSION		CURRENT REV DESC:				
∇ = 0	DIMENSION UNITS	SCALE					
∇ = 0	INCH	4:1					
∇ = 0	GENERAL TOLERANCES (UNLESS SPECIFIED)						
	ANGULAR TOL ± °						
	4 PLACES	±					
DIVISIONAL SYMBOLS	3 PLACES	±					
	2 PLACES	±					
	1 PLACE	±					
	0 PLACES	±					
	DRAFT WHERE APPLICABLE MUST REMAIN WITHIN DIMENSIONS	THIRD ANGLE PROJECTION	DRAWING	SERIES	MATERIAL NUMBER	CUSTOMER	SHEET NUMBER
			B-SIZE	106123	SEE TABLE	GENERAL MARKET	1 OF 1

EC NO: 689237		2021/12/10	
DRWN: JHUANG18		2021/12/21	
CHKD: IGUMIN		2021/12/21	
APPR: IGUMIN		2021/12/21	
INITIAL REVISION:			
DRWN: PGIPLIN		2005/12/06	
APPR: IGUMIN		2005/12/06	

molex			
LC QUAD ADAPTER WITH SHUTTERS (SCREW AND SNAP MOUNT)			
PRODUCT CUSTOMER DRAWING			
DOCUMENT NUMBER	DOC TYPE	DOC PART	REVISION
SD-106123-X200	PSD	001	B

DOCUMENT STATUS	RELEASE DATE
-----------------	--------------