

HC-ADV-B10-HHWH-1TTM25-EMC-AL - Housing



1413400

<https://www.phoenixcontact.com/us/products/1413400>

Please be informed that the data shown in this PDF document is generated from our online catalog. Please find the complete data in the user documentation. Our general terms of use for downloads are valid.



HEAVYCON ADVANCE sleeve housing, B10, with stainless steel screw locking (Allen screw), salt-water-resistant aluminum, height 93.7 mm, with 1x M25 thread, straight cable outlet, without surface; conductive seal (EMC properties)

Commercial data

Item number	1413400
Packing unit	1 pc
Minimum order quantity	1 pc
Sales key	BF58
Product key	BF7APH
Catalog page	Page 603 (C-2-2019)
GTIN	4055626030340
Weight per piece (including packing)	266.4 g
Weight per piece (excluding packing)	267 g
Customs tariff number	85389099
Country of origin	CN

HC-ADV-B10-HHWH-1TTM25-EMC-AL - Housing



1413400

<https://www.phoenixcontact.com/us/products/1413400>

Technical data

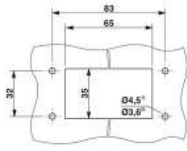
Notes

General	For contact inserts HC-B10, BB18, DD42, M, K8/24
---------	--

Product properties

Type	B10
Product type	Housing with screw locking
Application	Offshore/EMC
No. of cable outlets	1
Type of the screw connection	1x M25
Fixing screws	M6 (screw head: 5 mm Allen screw)
Housing type	Sleeve housing
Cable outlet	straight
Pg screw connection	none

Dimensions

Dimensional drawing	
Width	57 mm
Height	93.7 mm
Length	105 mm

Installation dimensions

Width of the assembly cutout	35 mm
Length of the assembly cutout	65 mm

Material specifications

Seal material	NBR, conductive
Housing surface material	uncoated
Locking latch material	Stainless steel
Impact strength	IK09
Housing material	Die-cast aluminum, salt water resistant

Environmental and real-life conditions

Ambient conditions

Degree of protection	IP66
	IP68 (0.2 bar/24 h)
	IP69 (ISO 20653:2013-02)
	4 (UL 50e)

1413400

<https://www.phoenixcontact.com/us/products/1413400>

Degree of protection (NEMA)	4X (UL 50e)
	12 (UL 50e)
Impact strength	IK09
Ambient temperature (operation)	-40 °C ... 125 °C

Mechanical properties

Mechanical data

Type of the screw connection	1x M25
Locking type	Screw

Mounting

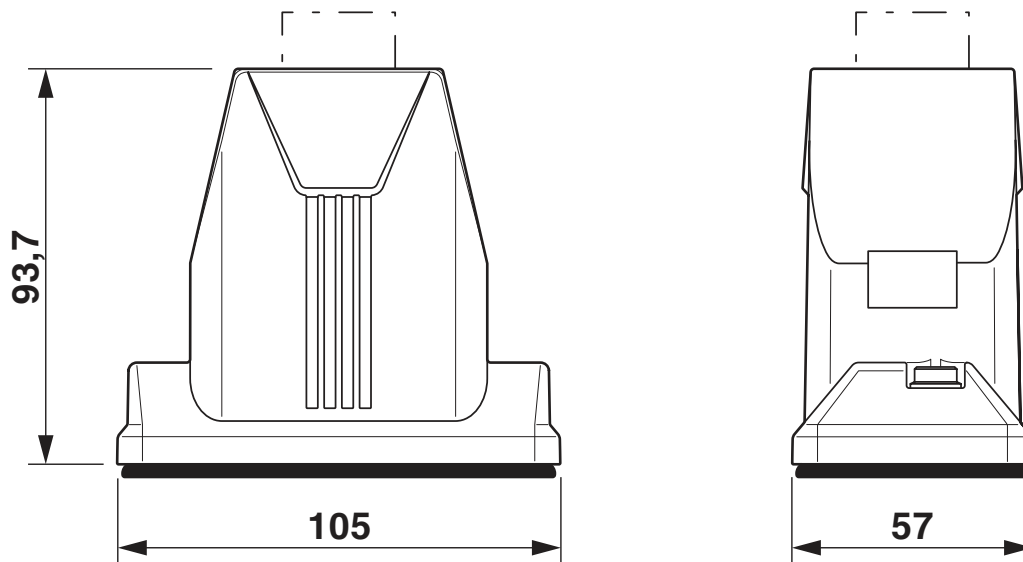
Assembly instructions	In order to guarantee that the protective conductor contact functions even when plugged in at an angle, the two panel-mount flanges must have sufficient electrical contact with the metal mounting panel.
	To ensure optimum shielding, any insulating power coating must be removed from the profile gasket area on the control cabinet panel. Tightening torque of locking screw: 3 Nm.
Fixing screws	M6 (screw head: 5 mm Allen screw)

1413400

<https://www.phoenixcontact.com/us/products/1413400>

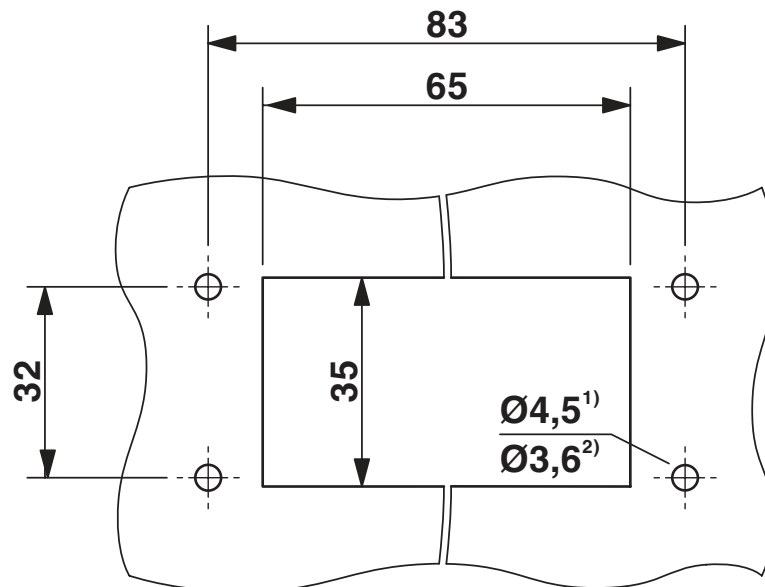
Drawings

Dimensional drawing



Dimensional drawing

Dimensional drawing



Mounting cutout


1) when M4 screws are used

2) when self-tapping Torx® screws are used (Torx® 20, M4)

1413400

<https://www.phoenixcontact.com/us/products/1413400>

Approvals

 To download certificates, visit the product detail page: <https://www.phoenixcontact.com/us/products/1413400>

DNV

Approval ID: TAE000037S



cUL Recognized

Approval ID: E255026



UL Recognized

Approval ID: E255026



EAC

Approval ID: RU C-DE.AI30.B.01102



EAC

Approval ID: RU C-DE.BL08.B.00511

cULus Recognized

1413400

<https://www.phoenixcontact.com/us/products/1413400>

Classifications

ECLASS

ECLASS-11.0	27440202
ECLASS-12.0	27440202
ECLASS-13.0	27440202

ETIM

ETIM 8.0	EC000437
----------	----------

UNSPSC

UNSPSC 21.0	31261500
-------------	----------

1413400

<https://www.phoenixcontact.com/us/products/1413400>

Environmental product compliance

China RoHS	Environmentally friendly use period: unlimited = EFUP-e
	No hazardous substances above threshold values

HC-ADV-B10-HHWH-1TTM25-EMC-AL - Housing



1413400

<https://www.phoenixcontact.com/us/products/1413400>

Accessories

HC-B-AF - Panel-mount flange

1686533

<https://www.phoenixcontact.com/us/products/1686533>



Panel-mount flange for HEAVYCON ADVANCE housing

HC-B-AF-SET - Panel-mount flange

1604638

<https://www.phoenixcontact.com/us/products/1604638>



Panel-mount flange for HEAVYCON ADVANCE housing, set consisting of: 2 panel-mount flanges with 4 self-tapping screws (M4, Torx[®]) and 4 fan-type washers

HC-ADV-B10-HHWH-1TTM25-EMC-AL - Housing



1413400

<https://www.phoenixcontact.com/us/products/1413400>

HC-B 10-TMS-SD-IP50 - Protective cover

1690749

<https://www.phoenixcontact.com/us/products/1690749>



Protective cover B10, Clip locking, protective cover material: PA, height: 31.2 mm, seal: no, with lanyard

HC-B 10-TMS-SD-IP66 - Protective cover

1411504

<https://www.phoenixcontact.com/us/products/1411504>



HEAVYCON ADVANCE, IP66, B10 protective cover for panel mounting side, with screw locking, with retaining cord, diameter of retaining cord eyelet: 3 mm

HC-ADV-B10-HHWH-1TTM25-EMC-AL - Housing

1413400

<https://www.phoenixcontact.com/us/products/1413400>

G-INS-M25-M68N-NNES-S - Cable gland

1411165

<https://www.phoenixcontact.com/us/products/1411165>



Cable gland, material for screw connection: Brass, nickel-plated, external cable diameter 11 mm ... 17 mm, shielding: no, connecting thread: M25 x 1.5, color: silver, with O-ring

HC-M-KV-M25(14-21) - Cable gland

1646007

<https://www.phoenixcontact.com/us/products/1646007>



Metal screw connection up to 5 bar, thread length: 7 mm, cable diameter: 14 - 21 mm, WAF 34, screw connection: M25

HC-ADV-B10-HHWH-1TTM25-EMC-AL - Housing



1413400

<https://www.phoenixcontact.com/us/products/1413400>

HC-EMV-KV-M25(9-16,5) - Cable gland

1690516

<https://www.phoenixcontact.com/us/products/1690516>



EMC screw connection up to 5 bar, thread length: 7.5 mm, cable diameter: 9.0 - 16.5 mm, WAF 29, screw connection: M25

HC-M-KV-M25(1ASI) - Cable gland

1584020

<https://www.phoenixcontact.com/us/products/1584020>



Metal screw connection for an AS-Interface flat-ribbon conductor, thread type M25

HC-ADV-B10-HHWH-1TTM25-EMC-AL - Housing

1413400

<https://www.phoenixcontact.com/us/products/1413400>



HC-M-KV-M25(1X10/1X11) - Cable gland

1580228

<https://www.phoenixcontact.com/us/products/1580228>



Special cable screw connection M25, brass nickel-plated, grommet with 10 mm and 11 mm holes

US-EMLP-HA (20X9) - Plastic label

0830989

<https://www.phoenixcontact.com/us/products/0830989>



Plastic label, Card, white, unlabeled, can be labeled with: BLUEMARK ID COLOR, BLUEMARK ID, THERMOMARK PRIME, THERMOMARK CARD 2.0, THERMOMARK CARD, mounting type: adhesive, lettering field size: 20 x 9 mm, Number of individual labels: 70

HC-ADV-B10-HHWH-1TTM25-EMC-AL - Housing



1413400

<https://www.phoenixcontact.com/us/products/1413400>

US-EMLP-HA (20X9) CUS - Plastic label

0830995

<https://www.phoenixcontact.com/us/products/0830995>

Plastic label, Card, white, labeled, can be labeled with: THERMOMARK CARD, mounting type: adhesive, lettering field size: 20 x 9 mm, Number of individual labels: 70



WP-G HF IP66 M25 BK - Screw connection

3240899

<https://www.phoenixcontact.com/us/products/3240899>

Cable gland, metric thread, IP66 protection, straight



HC-ADV-B10-HHWH-1TTM25-EMC-AL - Housing

1413400

<https://www.phoenixcontact.com/us/products/1413400>



WP-G HF IP69K M25 BK - Screw connection

3240885

<https://www.phoenixcontact.com/us/products/3240885>



Cable gland, metric thread, IP68/69k protection, straight

WP-GA HF IP66 M25 BK - Screw connection

3240927

<https://www.phoenixcontact.com/us/products/3240927>



Cable gland, metric thread, IP66 protection, angled

HC-ADV-B10-HHWH-1TTM25-EMC-AL - Housing

1413400

<https://www.phoenixcontact.com/us/products/1413400>



WP-GA HF IP69K M25 BK - Screw connection

3240913

<https://www.phoenixcontact.com/us/products/3240913>

Cable gland, metric thread, IP68/69k protection, angled



WP-GR HF IP66 M25 BK - Screw connection

3240955

<https://www.phoenixcontact.com/us/products/3240955>

Cable gland, metric thread, IP66 protection, with strain relief



HC-ADV-B10-HHWH-1TTM25-EMC-AL - Housing

1413400

<https://www.phoenixcontact.com/us/products/1413400>



WP-GR HF IP69K M25 BK - Screw connection

3240941

<https://www.phoenixcontact.com/us/products/3240941>



Cable gland, metric thread, IP68/69k protection, with strain relief

WP-G PP HF M25 - Screw connection

3240999

<https://www.phoenixcontact.com/us/products/3240999>



Cable gland made from PP with metric thread, IP65 protection

HC-ADV-B10-HHWH-1TTM25-EMC-AL - Housing

1413400

<https://www.phoenixcontact.com/us/products/1413400>

WP-GT PP HF M25 - Screw connection

3241013

<https://www.phoenixcontact.com/us/products/3241013>



Cable gland made from PP with metric thread, rotatable, IP54 protection

WP-G BRASS IP40 M25 - Screw connection

3241048

<https://www.phoenixcontact.com/us/products/3241048>



Cable gland made from brass with metric thread, IP40 protection

HC-ADV-B10-HHWH-1TTM25-EMC-AL - Housing

1413400

<https://www.phoenixcontact.com/us/products/1413400>

WP-GT BRASS M25 - Screw connection

3241034

<https://www.phoenixcontact.com/us/products/3241034>



Cable gland made from brass with metric thread, rotatable, IP40 protection

WP-G BRASS IP65 M25 - Screw connection

3241062

<https://www.phoenixcontact.com/us/products/3241062>



Cable gland made from brass with metric thread, IP65 protection

HC-ADV-B10-HHWH-1TTM25-EMC-AL - Housing



1413400

<https://www.phoenixcontact.com/us/products/1413400>

SF-BIT-HEXB 5-89 - Screw insert

1208911

<https://www.phoenixcontact.com/us/products/1208911>



Screw bit, hexagonal with ball head, E6.3-1/4" drive, size: Hex 5 x 89 mm, hardened, suitable for holder according to DIN 3126-F 6.3/ISO 1173

SF-M BH - Screwdriver

1212070

<https://www.phoenixcontact.com/us/products/1212070>



Bit screwdriver, with 1/4" quick-action chuck, handle length 119 mm, 2-component handle, with non-slip grip, suitable for bits according to DIN 3126-C 6.3 and E 6.3/ISO 1173, magnetic

Phoenix Contact 2023 © - all rights reserved
<https://www.phoenixcontact.com>

Phoenix Contact USA
586 Fulling Mill Road
Middletown, PA 17057, United States
(+717) 944-1300
info@phoenixcon.com