

MATERIALS & SPECIFICATIONS

PART NO.	A22016-001	REV	ECO	DATE	APP
		C	96877	07-13-10	TLM

INSULATOR:  
LIQUID CRYSTAL POLYMER (LCP) PER ASTM D5138.

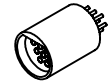
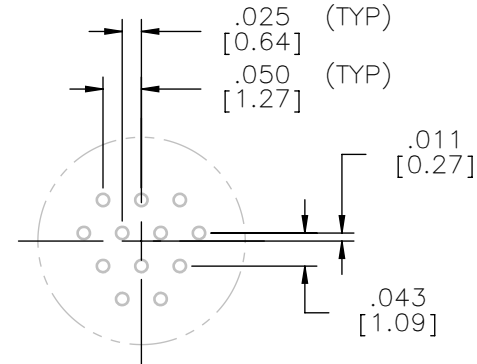
CONTACT:  
COPPER ALLOY PER MIL-DTL-83513. GOLD PLATED PER  
ASTM B488, (HARD GOLD) TYPE II CODE C CLASS 1.27.

TERMINATION:  
SOLDER COATED PER J-STD-006.

CURRENT CAPACITY:  
3 AMP MAX.

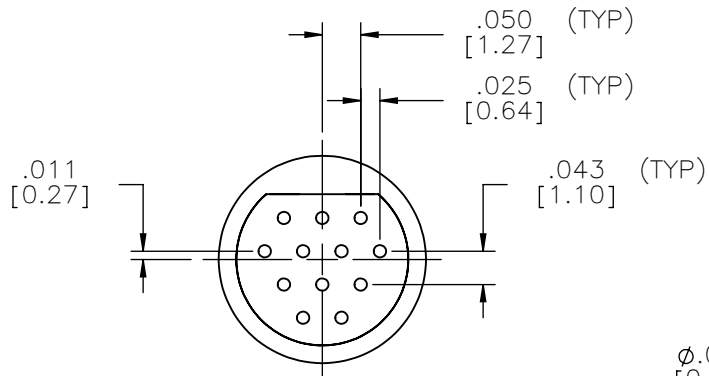
CONTACT RESISTANCE:  
26 MILLIOHMS (65mV) MAX @ 2.5 AMPS.

PERFORMANCE:  
PRODUCT FAMILY TESTED TO AND PASSED THE PERFORMANCE  
SPECIFICATIONS OF TABLE VII OF MIL-DTL-83513.



ACTUAL SIZE

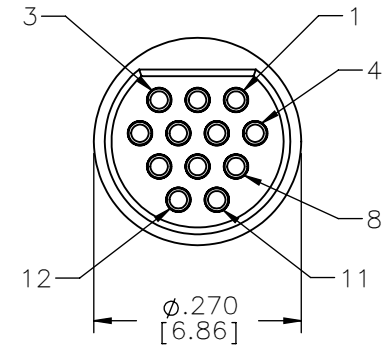
SUGGESTED  
HOLE PATTERN



EPOXY FLUSH  
TO UNDERFLUSH

Ø.016 (TYP),  
[0.41]  
SOLDER COATED

.10 [2.54]      .355 [9.02]



REF: OMNETICS

MCS	THIRD ANGLE
	-TOLERANCES-
SLDW	UNLESS OTHERWISE NOTED
	DIMENSIONS IN INCHES
	2 PL DEC ± .01
	3 PL DEC ± .005
	4 PL DEC ± .0005
	ANGLES ± 1°

THIS DRAWING CONTAINS CONFIDENTIAL AND PROPRIETARY INFORMATION WHICH IS THE PROPERTY OF OMNETICS CONNECTOR CORP. THIS DOCUMENT MAY NOT, IN WHOLE OR IN PART, BE DUPLICATED, OR DISCLOSED FOR ANY PURPOSE, WITHOUT WRITTEN PERMISSION FROM OMNETICS CONNECTOR CORP.

DFTM. PER	DATE
CHK'D.	03-29-06
APP'D.	DATE

TITLE:  
**(12) SOCKET FEMALE  
MICRO CIRCULAR  
CONNECTOR**

**OMNETICS**  
CONNECTOR CORPORATION  
7260 COMMERCE CIRCLE EAST  
MINNEAPOLIS, MN 55432  
WWW.OMNETICS.COM

CAGE CODE <b>61873</b>
DWG NO. <b>A22016-001</b>
SHEET 1 OF 1
SCALE: 4:1
REV C