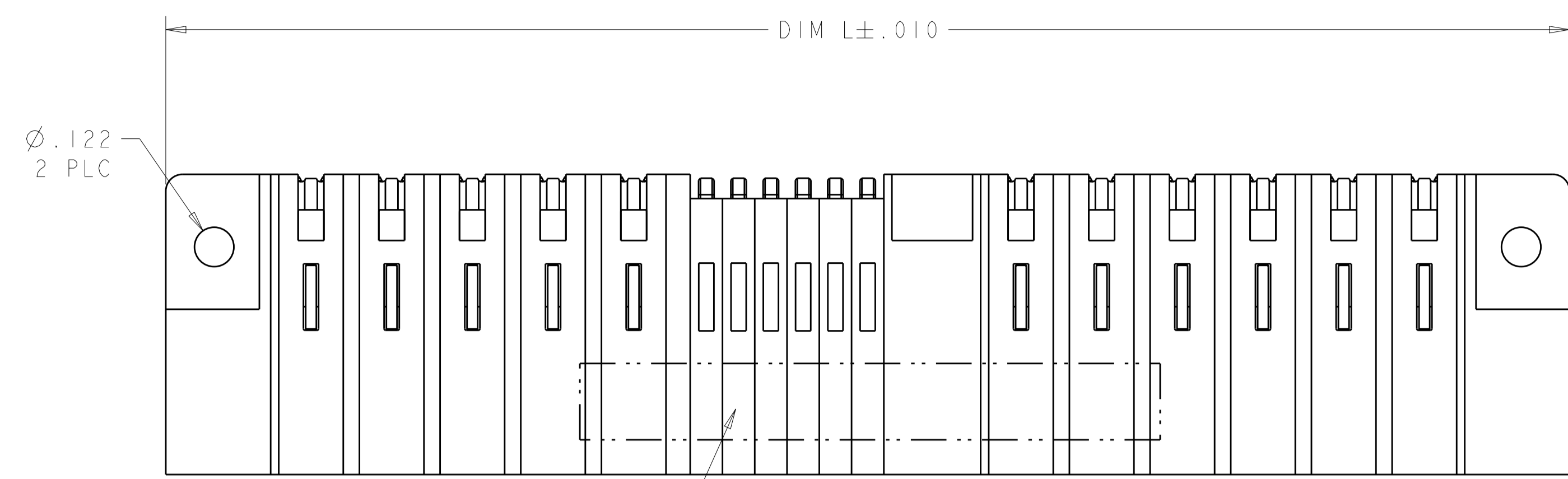
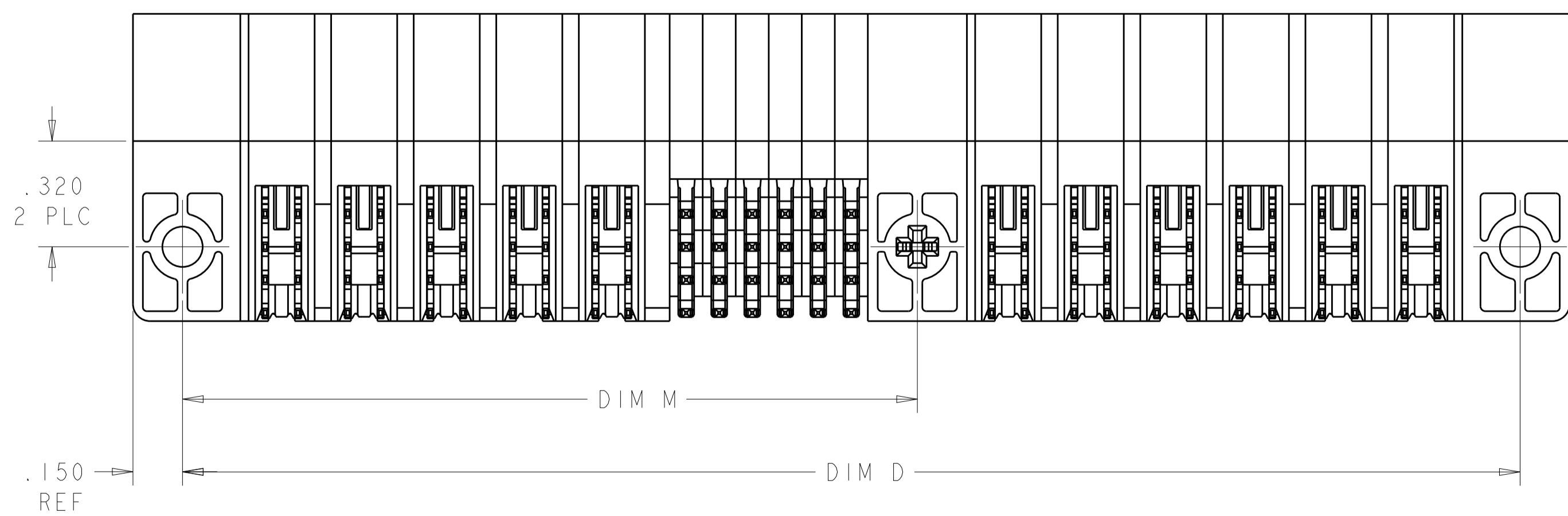
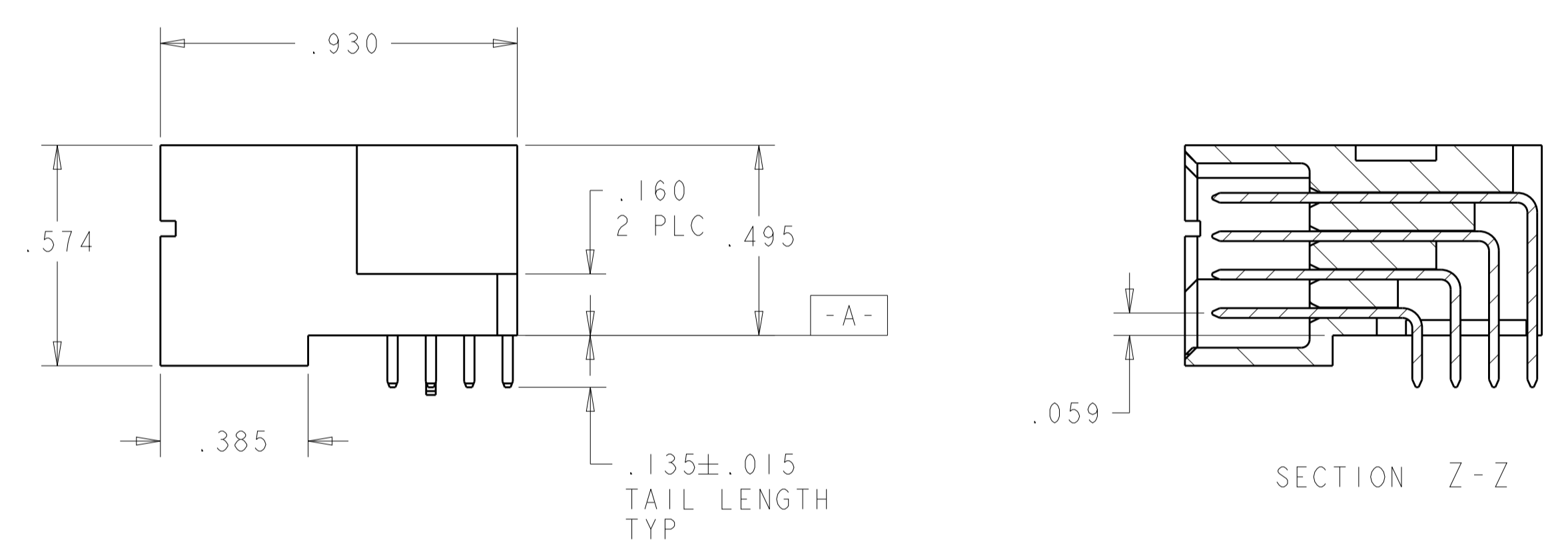
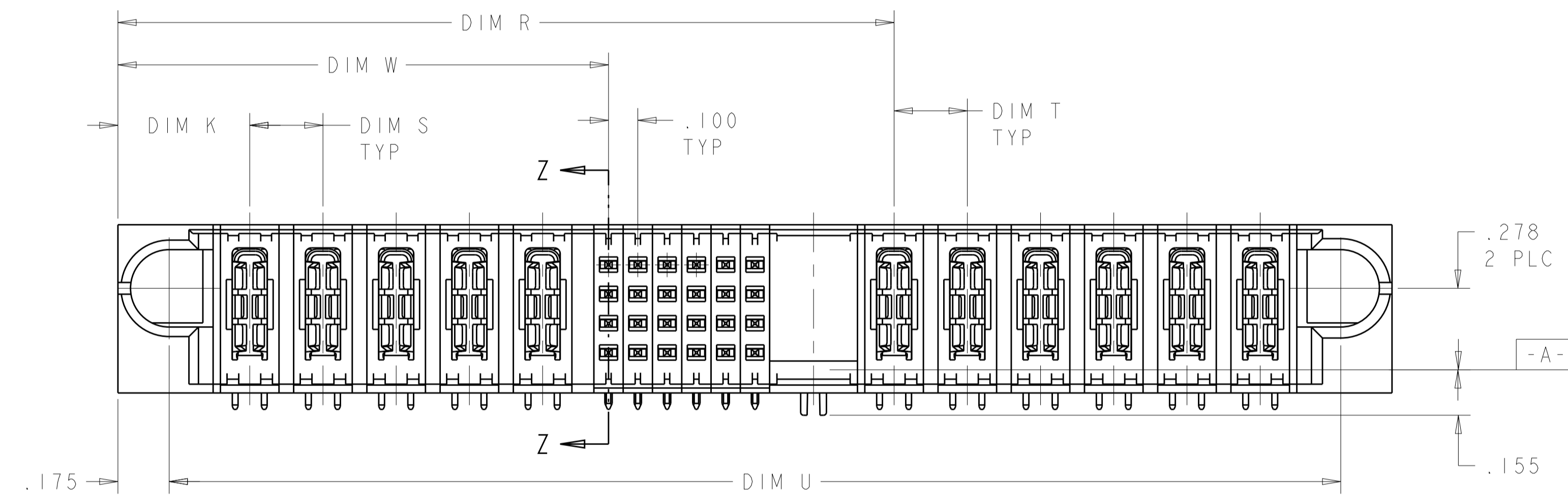


LOC	DIST	REVISIONS			
P	LTN	DESCRIPTION	DATE	DWN	APVD
A		REV PER ECR-07-007295	29MAY2007	CZ	SY
A1		ADVISED	20MAR2013	ML	SZ



- 1 "AMP", PART NUMBER, AND DATECODE TO BE MARKED IN AREA SHOWN. PARTS UNDER 2.00 LONG MAY BE MARKED ON BOTH SIDES.
- 2 MATERIAL: HOUSING - GLASS FILLED HIGH TEMP THERMO PLASTIC, UL94 V-0  
SIGNAL CONTACT - COPPER ALLOY  
POWER CONTACT - HIGH CONDUCTIVITY COPPER ALLOY
- 3 CONTACT PLATING: NOBLE METAL PLATING ON CONTACT FUNCTIONAL AREA OF POWER AND SIGNAL CONTACTS
- 4 MECHANICAL CONNECTOR KEEP OUT ZONE.
- 5 DATUM AND BASIC DIMENSIONS ESTABLISHED BY CUSTOMER.
- 6 PCB - HOLE DIAMETERS ARE FINISHED HOLE SIZE.
- 7 PCB -  $.0453 \pm .0010$  DRILLED HOLES PLATED WITH  $.0003$  MIN Sn OVER  $.001$  TO  $.003$  Cu PLATING TO ACHIEVE A  $.040$  DIA HOLE.
- 8 NOT RELEASED FOR PRODUCTION.
- 9 VARIABLE DIMENSION SHOW ON VIEW (SHEET 2).



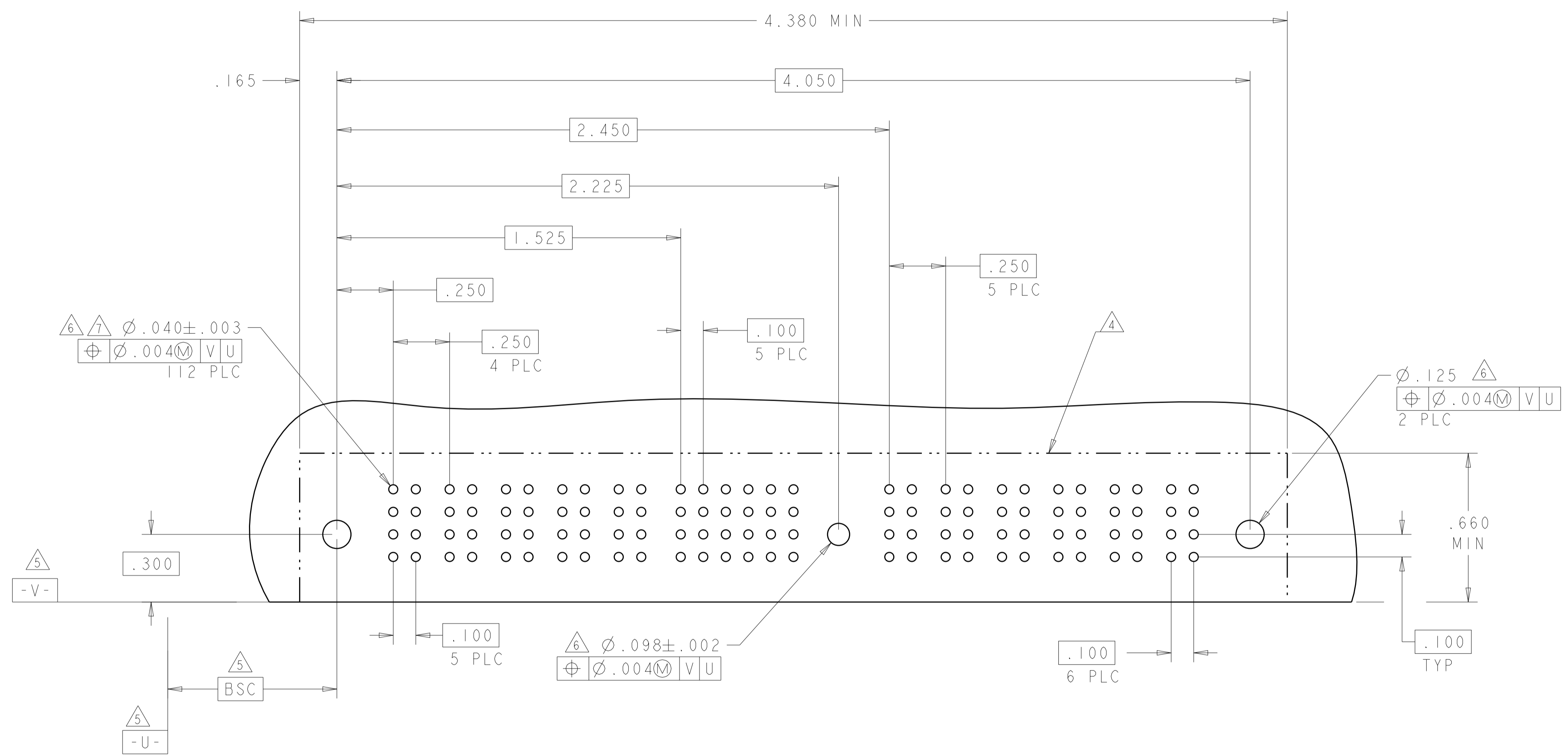
4.000	.250	.250	2.650	1.675	4.050	2.225	4.350	.450	5P + 24S + 1M + 6P	1892210-1
DIM U	DIM S	DIM T	DIM R	DIM W	DIM D	DIM M	DIM L	DIM K	DESCRIPTION	PART NUMBER

THIS DRAWING IS A CONTROLLED DOCUMENT.

DIMENSIONS: INCHES	TOLERANCES UNLESS OTHERWISE SPECIFIED: 0 PLC ± .01 1 PLC ± .01 2 PLC ± .01 3 PLC ± .005 4 PLC ± .002 ANGLES ± 30°	DWN C. ZHOU CHK S. ZHAO APVD S. YAO	29MAY2007 29MAY2007	 TE Connectivity	
MATERIAL : 2	FINISH : 3	NAME S. YAO	PRODUCT SPEC 108-1973 APPLICATION SPEC 114-13038		
CUSTOMER DRAWING		SIZE A1	CAGE CODE 00779	DRAWING NO 1892210	RESTRICTED TO -
SCALE 1:1		SHEET 1 OF 2		REV A1	

LOC	DIST	REVISIONS			
P	LTN	DESCRIPTION	DATE	DWN	APVD
ES	00	SEE SHEET 1	-	-	-

PART NUMBER	ROWS	POWER					SIGNAL						CM	POWER					
		P1	P2	P3	P4	P5	1	2	3	4	5	6		P6	P7	P8	P9	P10	P11
1892210-1	D C B A	TM	TM	TM	TM	TM	J	J	J	J	J	J	TM	TM	TM	TM	TM	TM	
							K	K	K	K	K	K							
							N	N	N	N	N	N							
5P + 24S + 1M + 6P								S	S	S	S	S	HD						



J	SIGNAL CONTACT,STD	D
K	SIGNAL CONTACT,STD	C
N	SIGNAL CONTACT,STD	B
S	SIGNAL CONTACT,STD	A
H	SIGNAL CONTACT,MLBF	A
TM	STD PLUG POWER CONTACT	-
CODE	DESCRIPTION	ROW
DESCRIPTION		

THIS DRAWING IS A CONTROLLED DOCUMENT.

DIMENSIONS:	TOLERANCES UNLESS OTHERWISE SPECIFIED:	DWN	C. ZHOU	29MAY2007
INCHES	0 PLC ± .01	CHK	S. ZHAO	29MAY2007
	1 PLC ± .01	APVD	S. YAO	-
	2 PLC ± .01	NAME	RIGHT ANGLE SOLDER HEADER ASSY MULTI-BEAM XL (THREE BEAM)	
	3 PLC ± .005	PRODUCT SPEC	108-1973	
	4 PLC ± .002	APPLICATION SPEC	114-13038	
	ANGLES ± .0020	SIZE	CAGE CODE	DRAWING NO
MATERIAL	FINISH	WEIGHT	A100779	C=1892210
CUSTOMER DRAWING		SCALE	1:1	SHEET 2 OF 2

RESTRICTED TO: A1