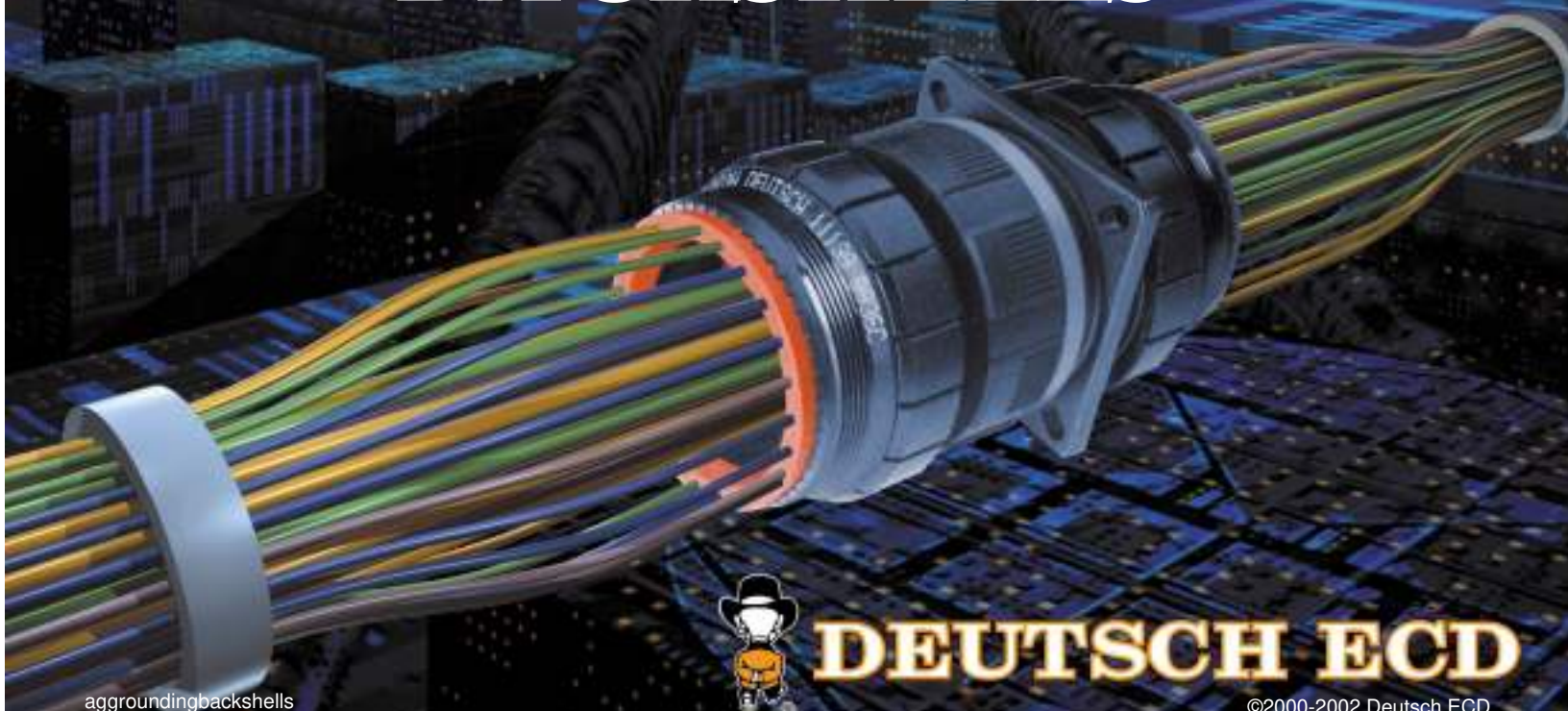


# DEUTSCH AG SERIES



## GROUNDING BACKSHELLS



**DEUTSCH ECD**



# AG Series Grounding Backshell

*The most versatile, serviceable,  
and easily assembled design  
in use today.*

## VERSATILITY

- 1) Cable bundle wire through connector to ground
- 2) Twisted pair shield to ground or coax shield to ground
- 3) Ground line to structure
- 4) Cable bundle wire to ground





## EASY ASSEMBLY

Easy two step termination during assembly

① Crimp Contact

② Insert Contact

- 1) Cable bundle wire through connector to ground
- 2) Twisted pair shield to ground or coax shield to ground

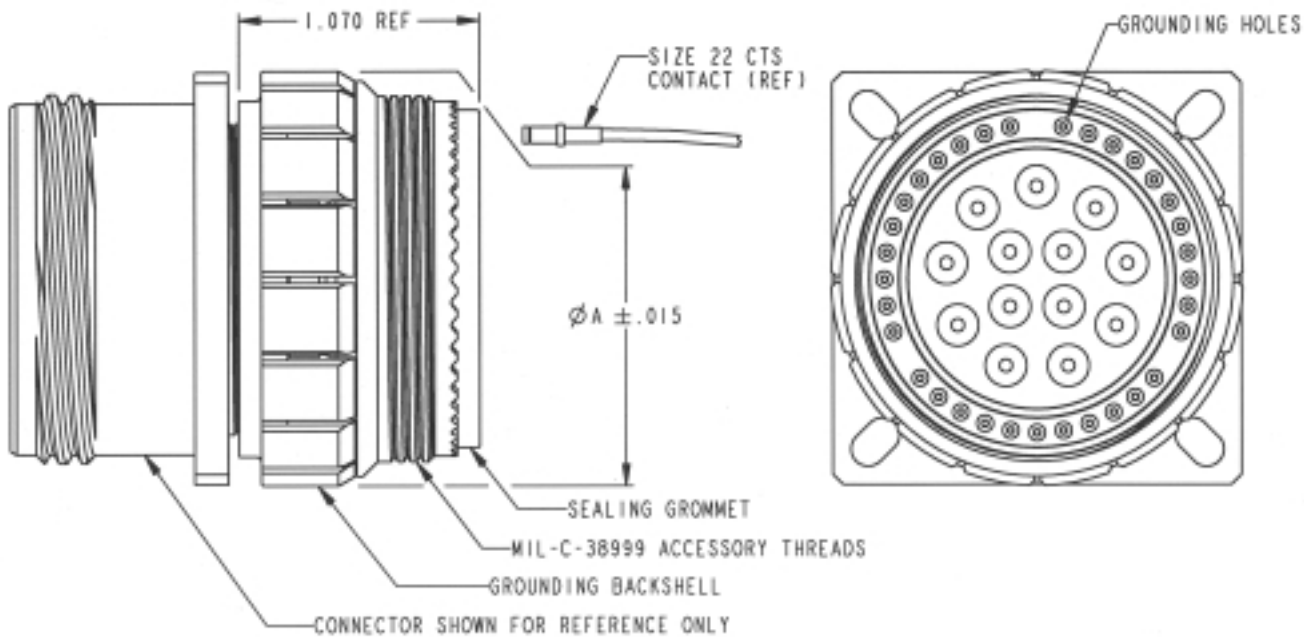
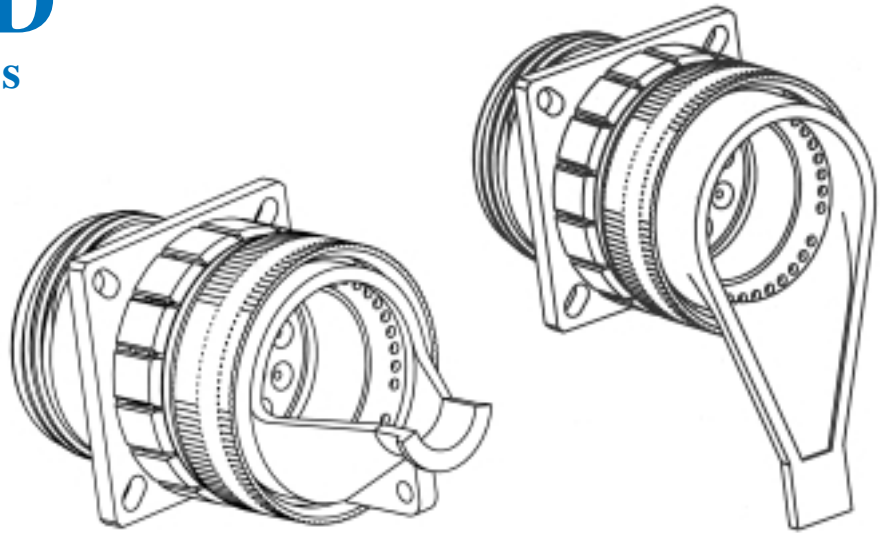
## SERVICEABILITY

All wires are fully accessible without having to re-qualify individual grounds every time the backshell is uncoupled

②

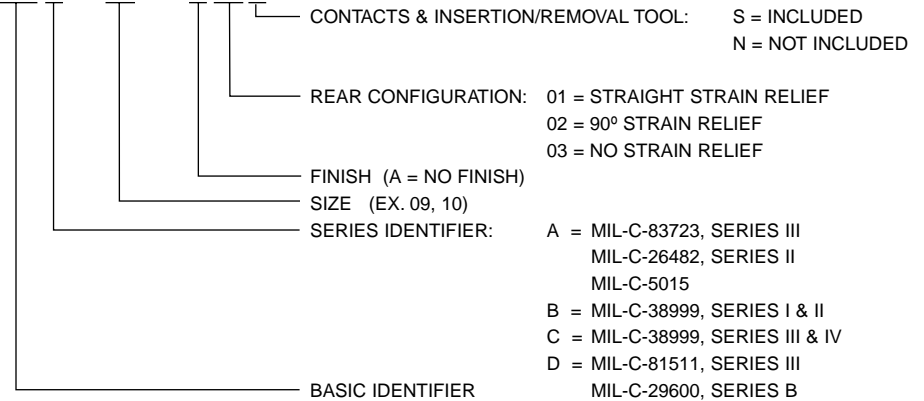
# Deutsch ECD

## AG Series Specifications



BACKSHELL SIZE	ØA ± .015	GROUNDING HOLES
08, 09	.949	6
10, 11	1.075	9
12, 13	1.148	12
14, 15	1.324	18
16, 17	1.450	21
18, 19	1.575	24
20, 21	1.703	27
22, 23	1.825	33
24, 25	1.954	36

AGA - 22 - A01S



4. CONSULT FACTORY FOR AVAILABILITY.
3. DEUTSCH ACCESSORY PART NUMBERS:  
CONTACT - CTS-S22/22  
INSERTION/REMOVAL TOOL - M81969/14-01
2. MATERIALS:  
BACKSHELL - BLACK COMPOSITE  
BUSS - ALUMINUM(NICKEL FINISH)  
GROMMET - SILICONE
1. DIMENSIONS ARE IN INCHES UNLESS OTHERWISE SPECIFIED.



**DEUTSCH ECD**

5733 West Whittier Ave. Hemet, CA • 92545  
TEL: (909) 765 • 2200 FAX: (909) 922 • 1544  
Web Site: [www.deutschdao.com](http://www.deutschdao.com)  
E-Mail: [customerservice@deutschdao.com](mailto:customerservice@deutschdao.com)