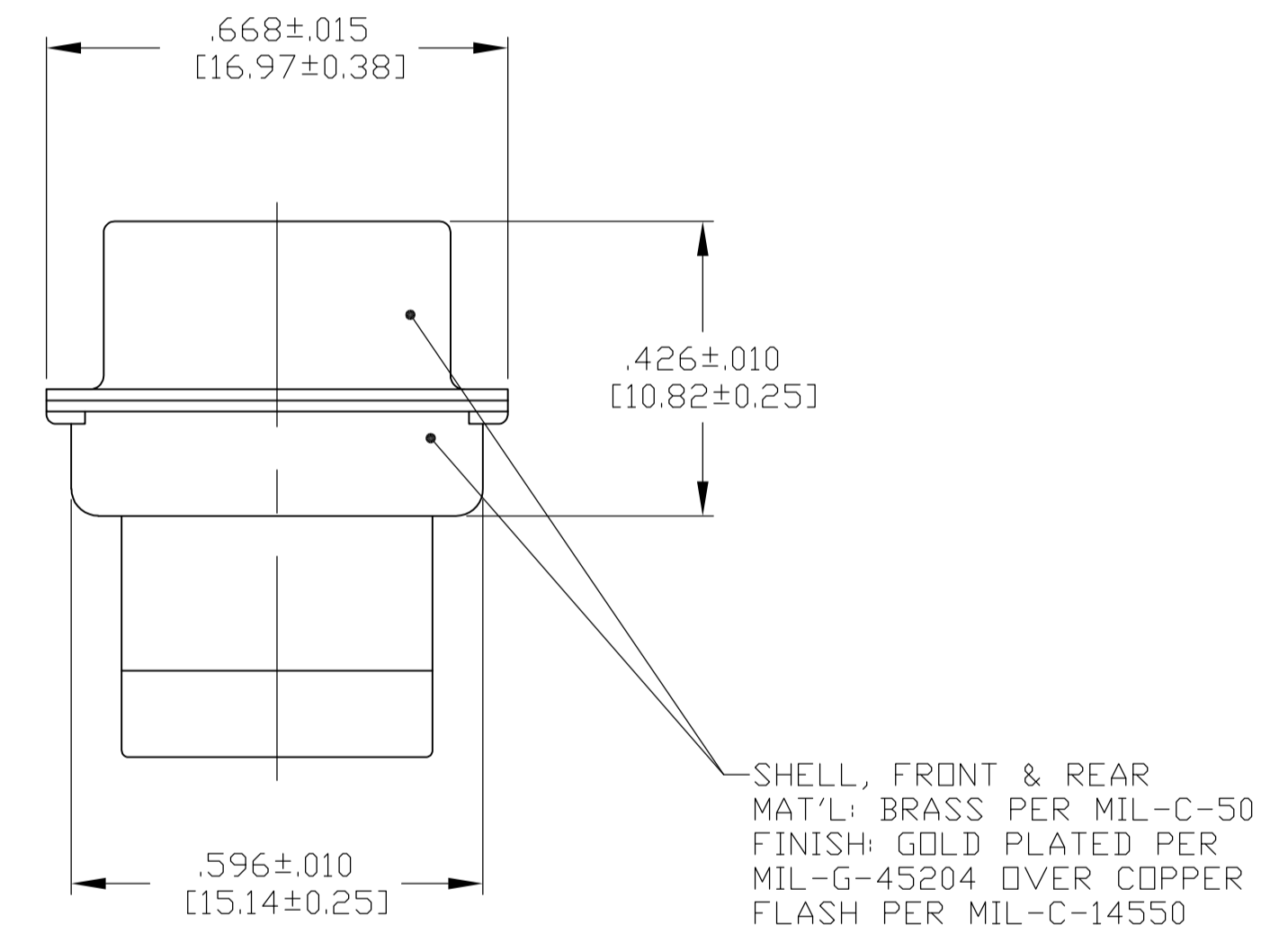
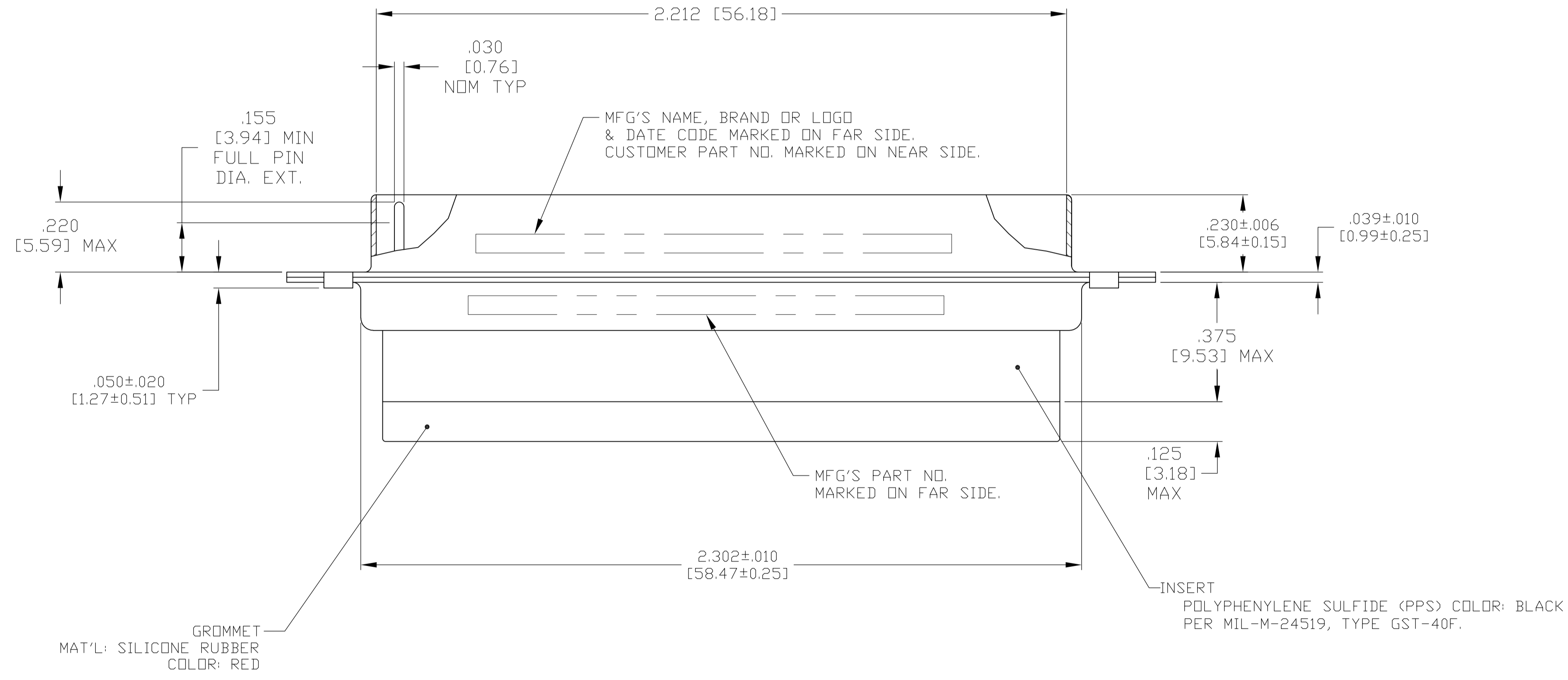
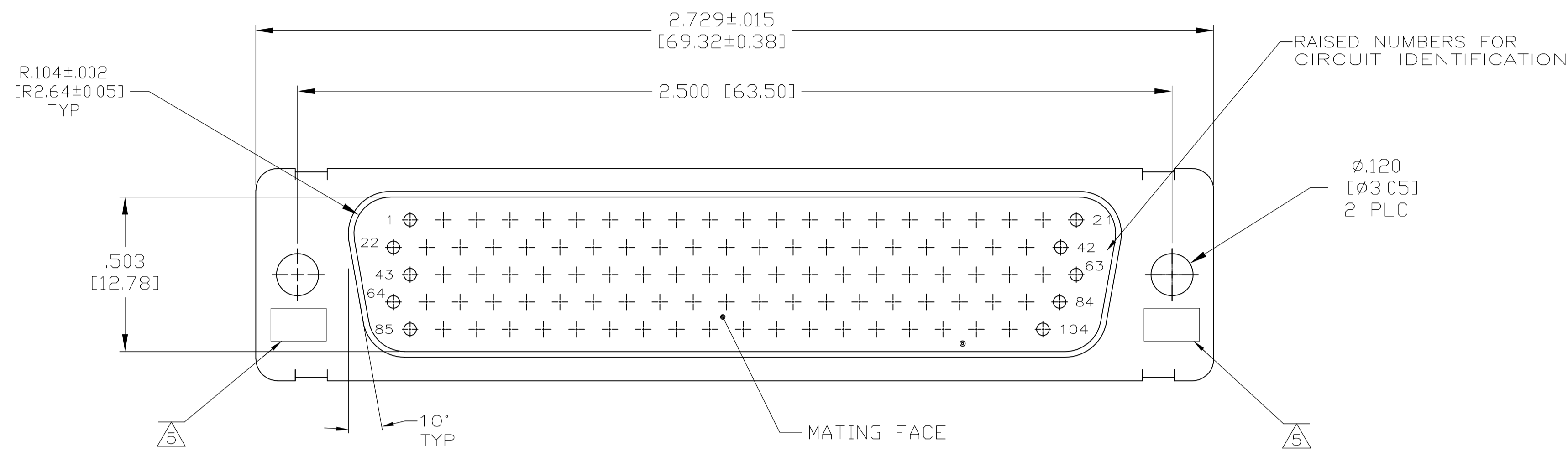


LOC		DIST		REVISIONS			
P	LTR	DESCRIPTION	DATE	DNW	APVD		
D		REV PER ECO-12-004103	15MAR12	PY	RL		



- THIS PLUG WILL MATE WITH ANY SIZE 6, 104 POSN. RCPT. IN AMPLIMITE SERIES.
 - MAXIMUM WIRE INSULATION USED WITH THIS PLUG IS .054 [1.37] DIA.
 - SINGLE LOT DATE CODE IS REQUIRED.
 - CONNECTOR SUPPLIED WITHOUT CONTACTS; SHOWN FOR ILLUSTRATION ONLY. (PER MIL-C-39029B/58-360)
- ▲ UL/CSA DESIGNATION STAMPED IN THIS AREA, OPTIONAL.

THIS DRAWING IS A CONTROLLED DOCUMENT.		DIN C.C.THOMAS 6-1-06	1883448-1
DIMENSIONS: INCHES		CIK D.MILLER 6-1-06	REMARKS
TOLERANCES UNLESS OTHERWISE SPECIFIED:		APVD D.MILLER 6-1-06	CUSTOMER PART NUMBER
0 PLC ± -		NAME	PART NO.
1 PLC ± -		PRODUCT SPEC	
2 PLC ± -		APPLICATION SPEC	
3 PLC ± .005 [0.13]		SIZE	A1
4 PLC ± ± 1°		SCALE	4:1
MATERIAL SEE CALLOUTS		WEIGHT	
FINISH SEE CALLOUTS		RESTRICTED TO	
		CUSTOMER DRAWING	

STE TE Connectivity

PLUG ASSY,AMPLIMITE,SIZE 6, SERIES 90, 104 POSITION, NON-MAGNETIC, SPECIAL WITH GROMMET

SCALE 4:1 SHEET 1 OF 1 REV D