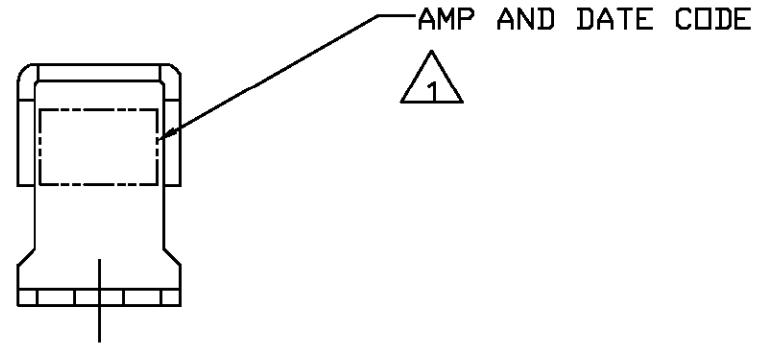
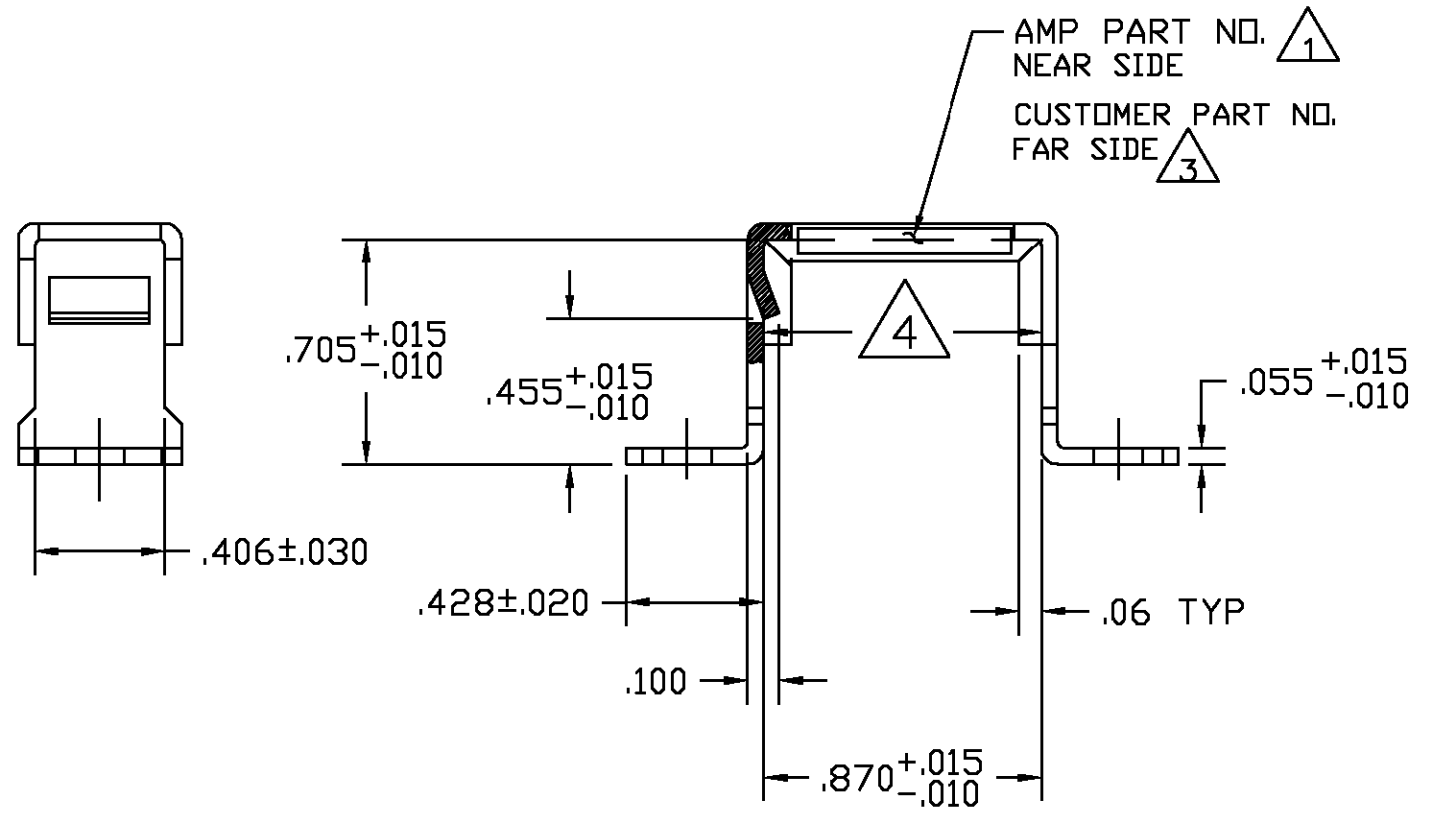
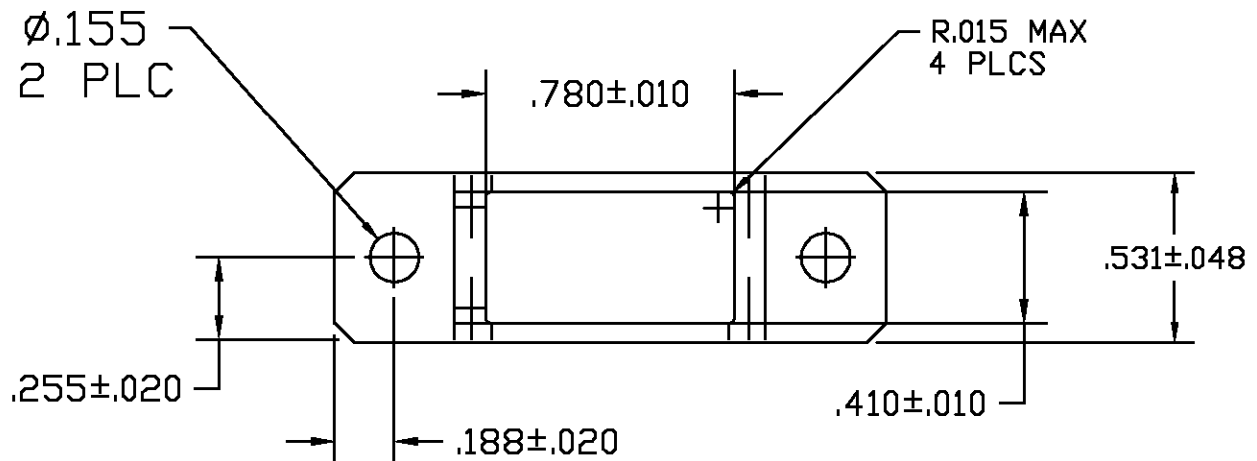


LOC		DIST		REVISIONS				
P	LTR	DESCRIPTION	DATE	DWN	APVD			
DF	AO	B	REV & REDRAWN;OG3D-0167-00	4-00	CT	DM		



ELECTROLESS NICKEL PER QQ-N-290	ALUMINUM ALLOY 6061-T4	-----	591637-9
BLACK ANODIZED PER MIL-A-8625 TYPE II, CLASS 2	ALUMINUM ALLOY 6061-T4	8400-041-0020	591637-5
BLACK ANODIZED PER MIL-A-8625 TYPE II, CLASS 2	ALUMINUM ALLOY 6061-T4	53711-5190993	591637-4
BLACK ANODIZED PER MIL-A-8625 TYPE II, CLASS 2	ALUMINUM ALLOY 6061-T4	19207-12301876	591637-3
BLACK ANODIZED PER MIL-A-8625 TYPE II, CLASS 2	ALUMINUM ALLOY 6061-T4	19207-12283284	591637-2
BLACK ANODIZED PER MIL-A-8625 TYPE II, CLASS 2	ALUMINUM ALLOY 6061-T4	-----	591637-1
FINISH	MATERIAL	CUSTOMER NO. (3)	PART NUMBER

- 1 "AMP", AMP PART NO. AND DATE CODE MARKED WITH .060 MINIMUM HIGH CHARACTERS AT APPROXIMATE AREA SHOWN.
- 2. THIS FRAME ASSEMBLY ACCOMMODATES SIZE 22, 20 AND 16 FEED-BACK MODULE FOR SINGLE MODULE MOUNTING.
- 3 CUSTOMER PART NO. MARKED (IF REQUIRED) WITH .060 MINIMUM HIGH CHARACTERS AT APPROXIMATE AREA SHOWN.
- 4 MEASUREMENT POINT OF .870 DIMENSION.

THIS DRAWING IS A CONTROLLED DOCUMENT.

DWN	C.C.THOMAS	4-25-00
CHK	D.MILLER	4-25-00
APVD	D.MILLER	4-25-00

AMP Incorporated
Harrisburg, PA 17105-3608

NAME: BRACKET, GROUNDING MODULE ASSEMBLY, TJ

SIZE	CAGE CODE	DRAWING NO	RESTRICTED TO
A2	00779	591637	-

CUSTOMER DRAWING SCALE 2:1 SHEET 1 OF 1 REV B