

CMOS 8-BIT MICROCONTROLLER

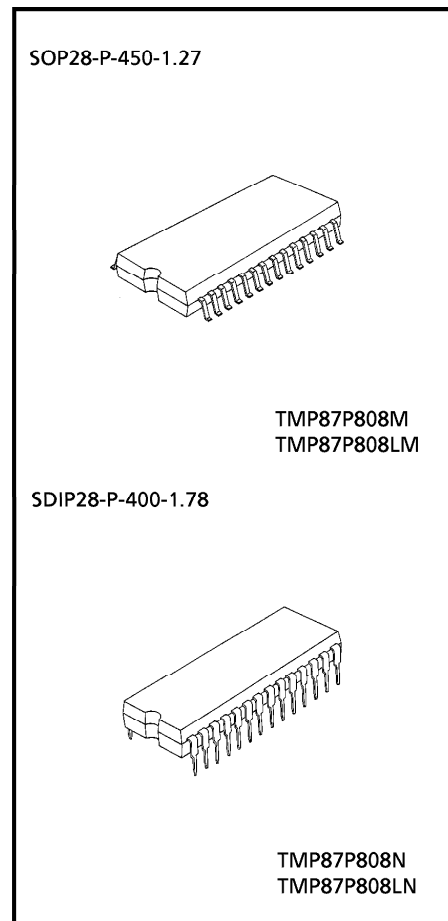
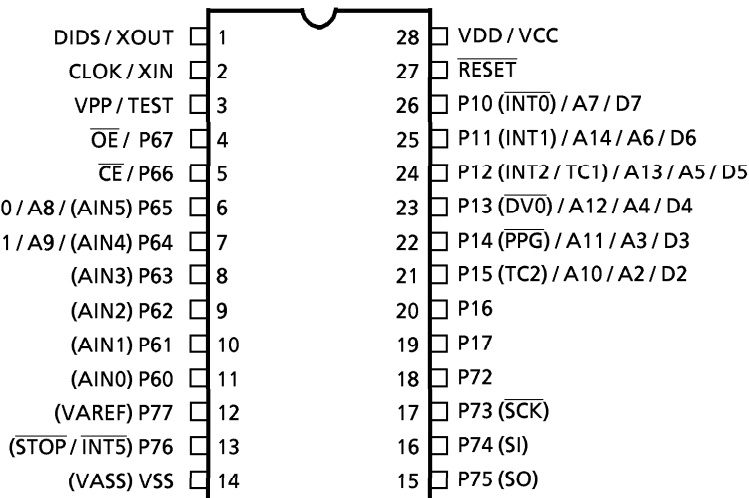
**TMP87P808M, TMP87P808N  
TMP87P808LM, TMP87P808LN**

The 87P808/808L is a high-speed, high-performance 8-bit single chip microcomputer, which has 64K bits One-Time PROM. The 87P808/808L is pin compatible with the 87C408/808/408L/808L. The operations possible with the 87C408/808/408L/808L can be performed by writing programs to PROM. The 87P808/808L can write and verify in the same way as the TC57256AD using an adapter socket and a general-purpose PROM programmer.

Part No.	ROM	RAM	Package	Adapter socket	Operation Voltage Range
TMP87P808M	8 K x 8-bit	256 x 8-bit	SOP28-P-450-1.27	BM11116	2.7 V to 5.5 V at 4.2 MHz
TMP87P808N			SDIP28-P-400-1.78	BM11122	4.5 V to 5.5 V at 8 MHz
TMP87P808LM			SOP28-P-450-1.27	BM11116	1.8 V to 4.0 V at 4.2 MHz
TMP87P808LN			SDIP28-P-400-1.78	BM11122	

**Pin Assignments (Top View)**

SOP28-P-400-1.78 / SDIP28-P-450-1.27



## PIN FUNCTION

The 87P808/808L has two modes : MCU and PROM.

## (1) MCU mode

In this mode, the 87P808/808L is pin compatible with the 87C408/808/408L/808L (fix the TEST pin at low level).

## (2) PROM mode

Pin Name (PROM mode)	Input / Output	Functions	Pin name (MCU mode)
A14 to A8	Input	Program memory address inputs	P10 to P15, P64, P65
A7 to A0			P10 to P15, P64, P65
D7 to D0	I/O	Program memory data input/outputs	P10 to P15, P64, P65
$\overline{CE}$	Input	Chip enable signal input	P66
$\overline{OE}$		Output enable signal input	P67
VPP	Power supply	+ 12.5 V / 5 V (Program supply voltage)	TEST
VCC		+ 5 V	VDD
GND		0 V	VSS
P17 to P16	I/O	PROM mode setting pins. Be fixed at low level.	
P63 to P60			
P77 to P72			
$\overline{RESET}$			
XIN	Input	Connect an 8 MHz oscillator to stabilize the internal state.	
XOUT	Output		
VAREF	Power supply	0 V (GND)	
VASS			

**OPERATIONAL DESCRIPTION**

The configuration and function of the 87P808/808L are the same as those of the 87C408/808/408L/808L, except in that a one-time PROM is used instead of an on-chip mask ROM.

**1. OPERATING MODE**

The 87P808/808L has two modes: MCU and PROM.

**1.1 MCU Mode**

The MCU mode is activated by fixing the TEST/VPP pin at low level.

In the MCU mode, operation is the same as with the 87C408/808/408L/808L (TEST/VPP pin cannot be used open because it has no built in pull-down resistance.)

**1.1.1 Program Memory**

The 87P808/808L have an 8K bytes (addresses E000 to FFFF<sub>H</sub> in the MCU mode, addresses 6000 to 7FFF<sub>H</sub> in the PROM mode) one-time PROM.

When the 87P808/808L is used as a system evaluation of the 87C408/808/408L/808L, the data is written to the program storage area shown in Figure 1-1.

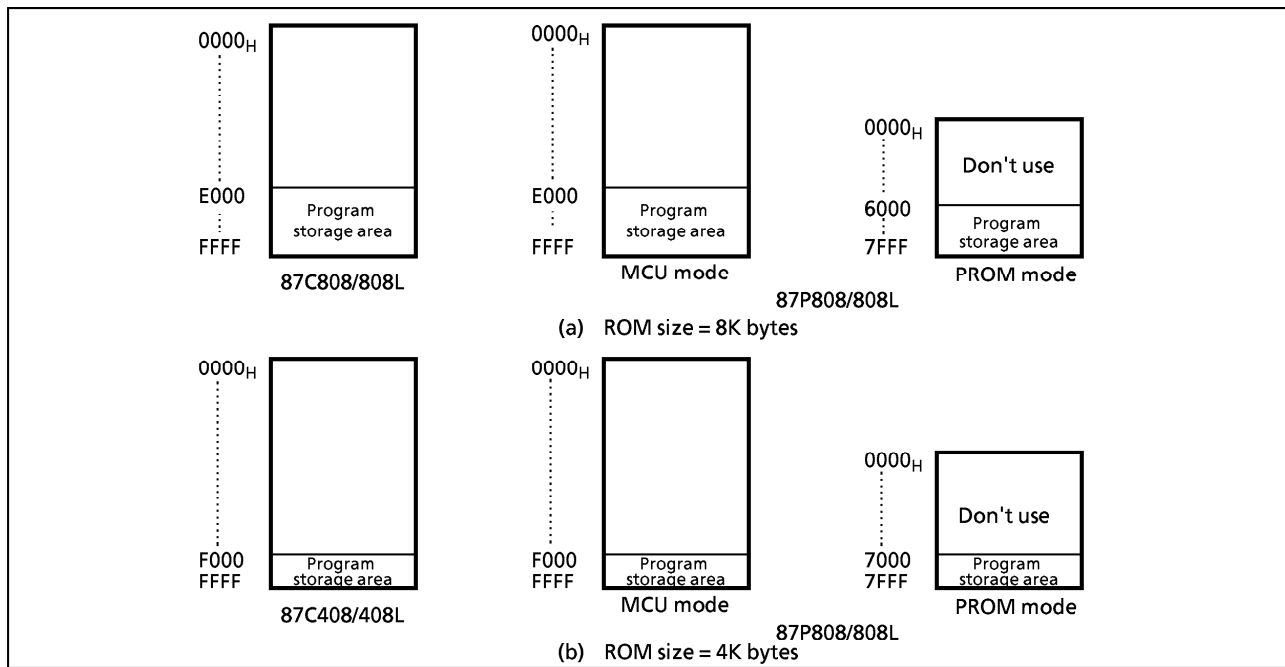


Figure 1-1. Program Memory Area

*Note : Either write the data FFH to the unused area or set the general-purpose PROM programmer to access only the program storage area*

**1.1.2 Data Memory**

The 87P808/808L has an 256 bytes data memory (static RAM).

### 1.1.3 Input / Output Circuits

(1) Control pins

The control pins of the 87P808/808L are the same as those of the 87C408/808/408L/808L except that the TEST pin has no built-in pull-down resistance.

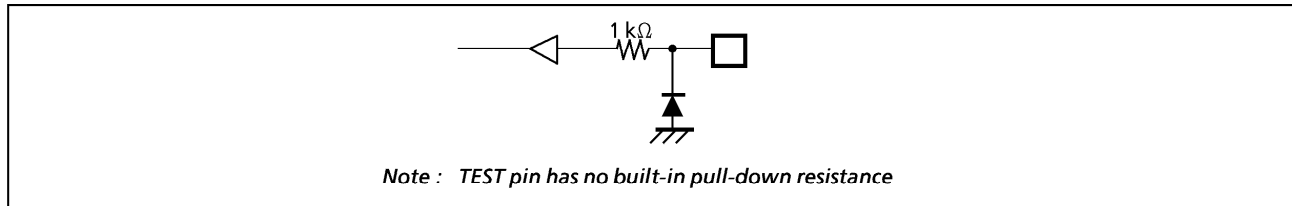


Figure 1-2. TEST Pin

(2) I/O port

The I/O circuits of 87P808/808L ports are the same as 87C408/808/408L/808L.

### 1.2 PROM Mode

The PROM mode is used to write and verify programs with a general-purpose PROM programmer.

*Note : The high-speed programming mode (I, II) can be used for program operation. (Please set the high-speed programming mode according to each manual of PROM programmer.) The 87P808/808L is not supported an electric signature mode.*

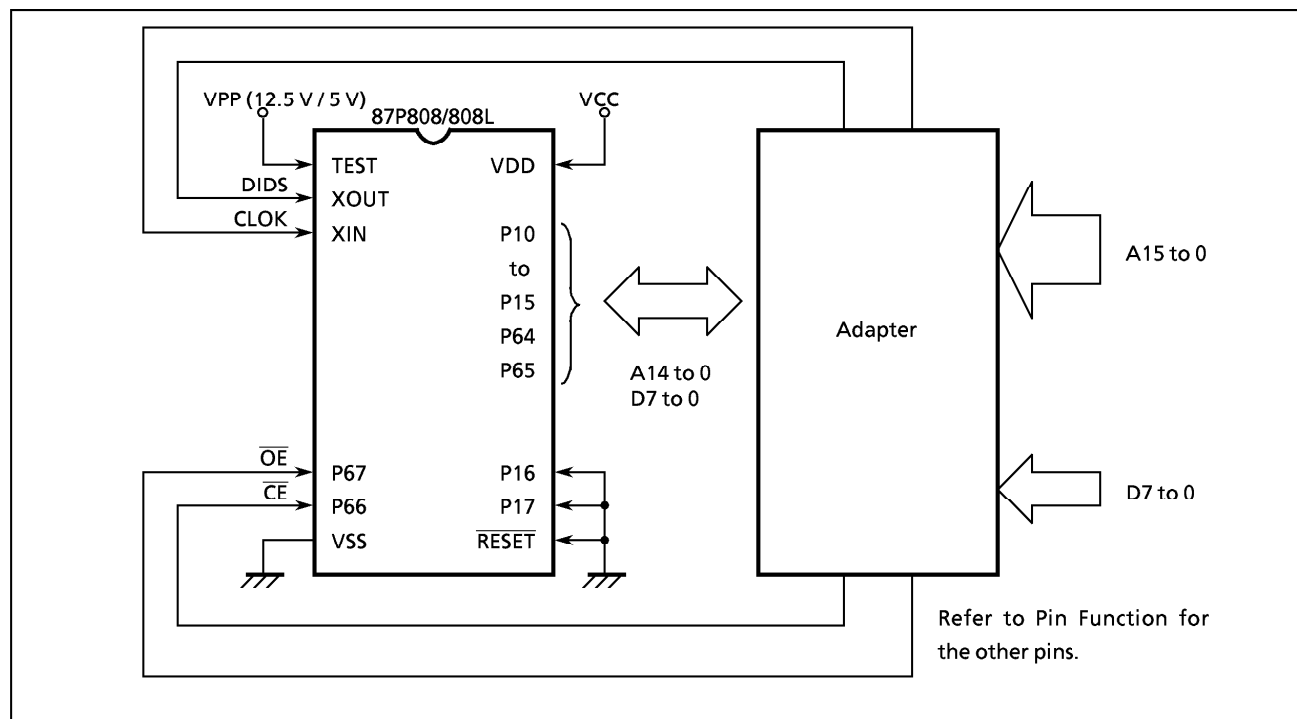


Figure 1-3. Setting for PROM Mode

**1.2.1 Programming Flowchart (High-speed Programming Mode-I)**

The high-speed programming mode is achieved by applying the program voltage (+ 12.5 V) to the  $V_{pp}$  pin when  $V_{cc} = 6 V$ . After the address and input data are stable, the data is programmed by applying a single 1ms program pulse to the  $\overline{CE}$  input. The programmed data is verified. If incorrect, another 1ms program pulse is applied and then the programmed data is verified. This process should be repeated (up to 25 times) until the program operates correctly. Programming for one address is ended by applying additional program pulse with width 3 times that needed for initial programming (number of programmed times  $\times$  1 ms). After that, change the address and input data, and program as before. When programming has been completed, the data in all addresses should be verified with  $V_{cc} = V_{pp} = 5 V$ .

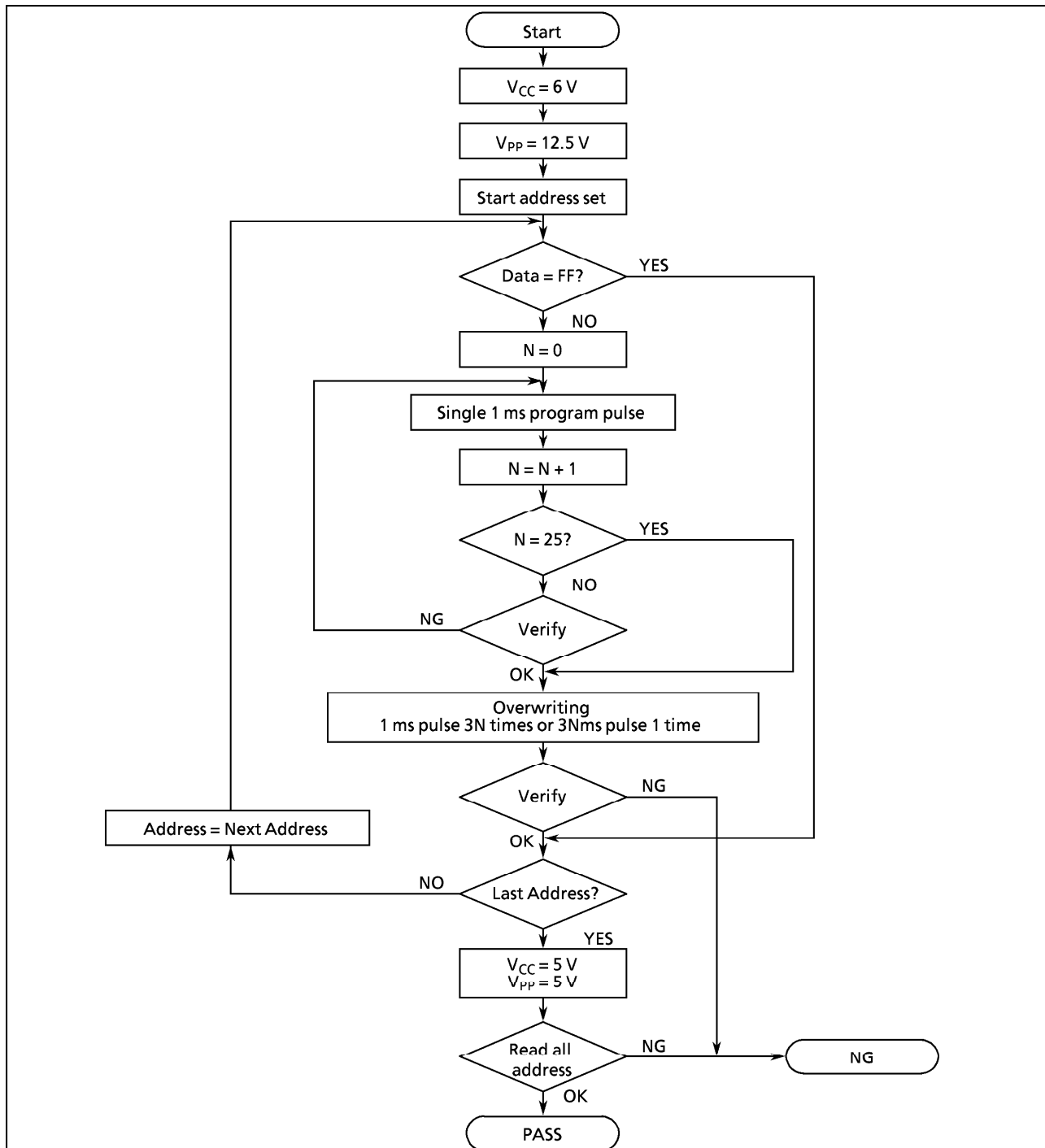


Figure 1-4. Flowchart of High-speed Programming Mode - I

1.2.2 Programming Flowchart (High-speed Programming Mode-II)

The high-speed programming mode is achieved by applying the program voltage (+ 12.75 V) to the V<sub>pp</sub> pin when V<sub>cc</sub> = 6.25 V. After the address and input data are stable, the data is programmed by applying a single 0.1ms program pulse to the  $\overline{CE}$  input. The programmed data is verified. If incorrect, another 0.1ms program pulse is applied and then the programmed data is verified. This process should be repeated (up to 25 times) until the program operates correctly. After that, change the address and input data, and program as before. When programming has been completed, the data in all addresses should be verified with V<sub>cc</sub> = V<sub>pp</sub> = 5 V.

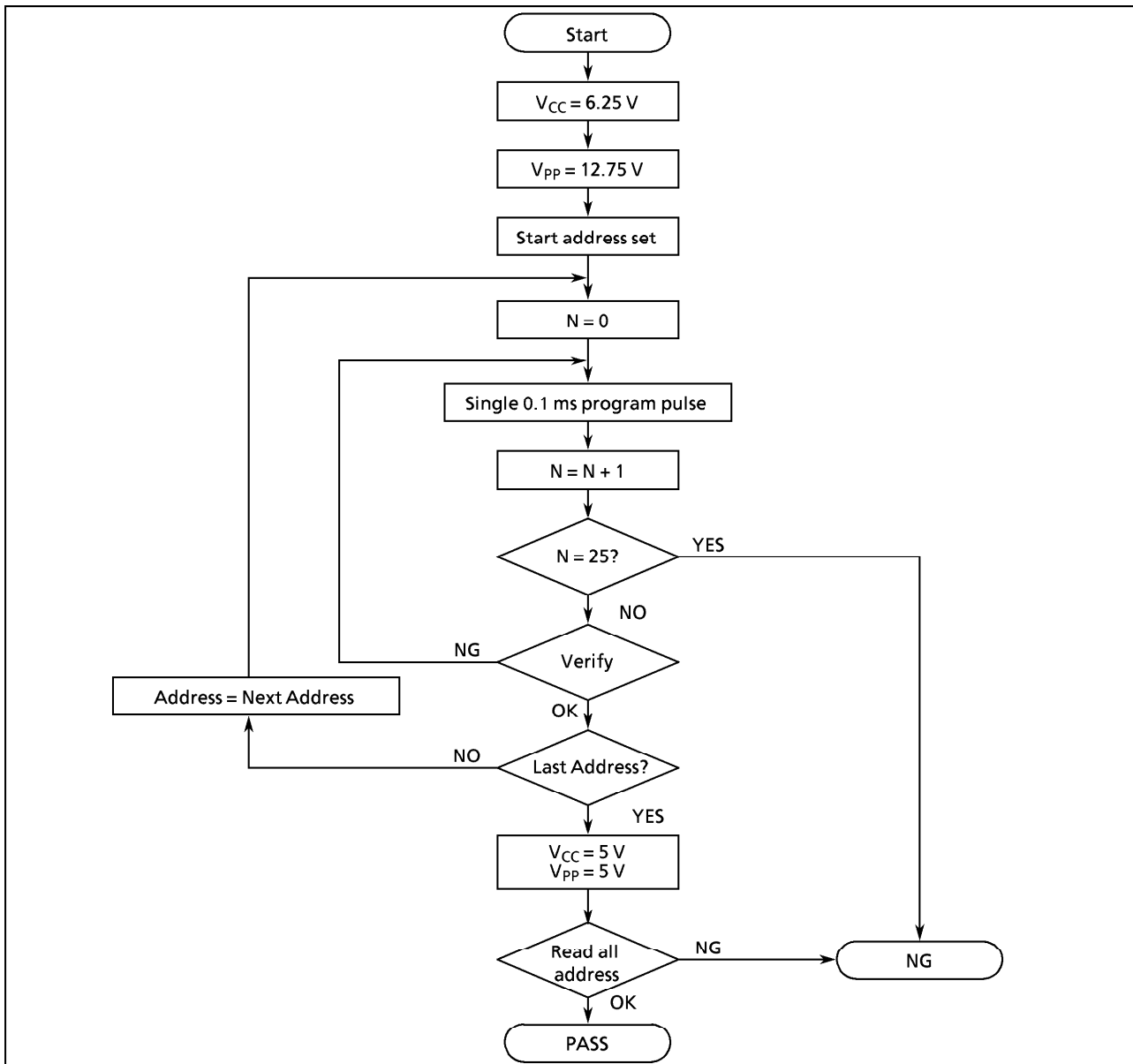


Figure 1-5. Flowchart of High-speed Programming Mode - II

### 1.2.3 Writing Method for General-purpose PROM Program

(1) Adapters

BM111116 : TMP87P808M/TMP87P808LM

BM11122 : TMP87P808N/TMP87P808LN

(2) Adapter setting

Switch (SW1) is set to side N.

(3) PROM programmer specifying

i) PROM type is specified to TC57256AD.

Writing voltage: 12.5 V (high-speed program I mode)  
12.75 V (high-speed program II mode)

ii) Data transfer (copy) (note 1)

In TMP87P808/808L, EPROM is within the addresses 6000 to 7FFF<sub>H</sub>. Data is required to be transferred (copied) to the addresses where it is possible to write. The program area in MCU mode and PROM mode is referred to "Program memory area" in Figure 1-1.

Ex. In the block transfer (copy) mode, executed as below.

ROM capacity of 4KB : transferred addresses F000 to FFFF<sub>H</sub> to addresses 7000 to 7FFF<sub>H</sub>

iii) Writing address is specified. (note 1)

Start address : 7000<sub>H</sub>

End address : 7FFF<sub>H</sub>

(4) Writing

Writing/Verifying is required to be executed in accordance with PROM programmer operating procedure.

*Note 1 : The specifying method is referred to the PROM programmer description. The data in addresses 0000 to 5FFF<sub>H</sub> must be specified to FF<sub>H</sub>.*

*Note 2 : When MCU is set to an adapter or the adapter is set to PROM programmer, a position of pin 1 must be adjusted. If the setting is reversed, MCU, the adapter and PROM program is damaged.*

*Note 3 : TMP87P808/808L does not support the electric signature mode (hereinafter referred to as "signature"). If the signature is used in PROM program, a device is damaged due to applying 12V ± 0.5V to the address pin 9 (A9). The signature must not be used.*

## ELECTRICAL CHARACTERISTICS

(1) 87P808

## ABSOLUTE MAXIMUM RATINGS

 $(V_{SS} = 0\text{ V})$ 

PARAMETER		SYMBOL	CONDITIONS	RATINGS	UNIT
Supply Voltage		$V_{DD}$		- 0.3 to 6.5	V
Program Voltage		$V_{PP}$	TEST / $V_{PP}$ pin	- 0.3 to 13.0	V
Input Voltage		$V_{IN}$		- 0.3 to $V_{DD} + 0.3$	V
Output Voltage		$V_{OUT}$		- 0.3 to $V_{DD} + 0.3$	V
Output Current (Per 1 pin)	IOL	$I_{OUT1}$	P1, P6	3.2	mA
		$I_{OUT2}$	P7 (Middle current port)	15	mA
	IOH	$I_{OUT3}$	P1, P6, P7	- 1.8	mA
Output Current (Total)	IOL	$\Sigma I_{OUT1}$	P1, P6	50	mA
		$\Sigma I_{OUT2}$	P7 (Middle current port)	60	mA
	IOH	$\Sigma I_{OUT3}$	P1, P6, P7	30	mA
Power Dissipation [Topr = 70 °C]		PD	SDIP	300	mW
			SOP	180	
Soldering Temperature (time)		Tsld		260 (10 s)	°C
Storage Temperature		Tstg		- 55 to 125	°C
Operating Temperature		Topr		- 30 to 70	°C

## RECOMMENDED OPERATING CONDITIONS

 $(V_{SS} = 0\text{ V}, \text{Topr} = -30\text{ to }70\text{ °C})$ 

PARAMETER	SYMBOL	PINS	CONDITIONS	Min.	Max.	UNIT
Supply Voltage	$V_{DD}$		$f_c =$ 8 MHz NORMAL mode	4.5	5.5	V
			IDLE mode			
			$f_c =$ 4.2 MHz NORMAL mode	2.7		
			IDLE mode			
	STOP mode	2.0				
Input High Voltage	$V_{IH1}$	Except hysteresis input	$V_{DD} \geq 4.5\text{ V}$	$V_{DD} \times 0.70$	$V_{DD}$	V
	$V_{IH2}$	Hysteresis input				
	$V_{IH3}$		$2.7\text{ V} \leq V_D < 4.5\text{ V}$	$V_{DD} \times 0.90$		
	$V_{IH4}$		$V_{DD} < 2.7\text{ V}$	$V_{DD} \times 0.95$		
Input Low Voltage	$V_{IL1}$	Except hysteresis input	$V_{DD} \geq 4.5\text{ V}$	0	$V_{DD} \times 0.30$	V
	$V_{IL2}$	Hysteresis input			$V_{DD} \times 0.25$	
	$V_{IL3}$		$2.7\text{ V} \leq V_{DD} < 4.5\text{ V}$		$V_{DD} \times 0.10$	
Clock Frequency	$f_c$	XIN, XOUT	$V_{DD} = 4.5\text{ to }5.5\text{ V}$	1.0	8.0	MHz
			$V_{DD} = 2.7\text{ to }5.5\text{ V}$		4.2	

Note1: Clock frequency  $f_c$ : Supply voltage range is specified in NORMAL mode and IDLE mode.

Note2: Minimum of clock frequency:  $1\text{ MHz} \leq f_{cck}$



D.C. CHARACTERISTICS

(V<sub>SS</sub> = 0 V, T<sub>opr</sub> = -30 to 70 °C)

PARAMETER	SYMBOL	PINS	CONDITIONS	Min.	Typ.	Max.	UNIT		
Hysteresis Voltage	V <sub>HS</sub>	Hysteresis inputs		-	0.9	-	V		
Input Current	I <sub>IN1</sub>	TEST	V <sub>DD</sub> = 5.5 V V <sub>IN</sub> = 5.5 V / 0 V	-2	-	2	μA		
	I <sub>IN2</sub>	Tri-state ports							
	I <sub>IN3</sub>	RESET, STOP							
Input Resistance	R <sub>IN1</sub>	TEST		30	70	150	kΩ		
	R <sub>IN2</sub>	RESET		100	220	450			
	R <sub>IN3</sub>	STOPi	i = 2 to 5	30	130	250			
Output Leak Current	I <sub>LO</sub>	Tri-state ports	V <sub>DD</sub> = 5.5 V, V <sub>OUT</sub> = 5.5 V / 0V	-2	-	2	μA		
Output High Voltage	V <sub>OH2</sub>	Tri-state ports Ports P1, P6	V <sub>DD</sub> = 4.5 V, I <sub>OH</sub> = -0.7 mA	4.1	-	-	V		
Low Output Voltage	V <sub>OL</sub>	Except XOUT and P7	V <sub>DD</sub> = 4.5 V, I <sub>OL</sub> = 1.6 mA	-	-	0.4	V		
Low Output Current	I <sub>OL3</sub>	P7	V <sub>DD</sub> = 4.5 V, V <sub>OL</sub> = 1.0 V	-	7	-	mA		
Supply Current in NORMAL mode	I <sub>DD</sub>		V <sub>DD</sub> = 5.5 V f <sub>c</sub> = 8 MHz V <sub>IN</sub> = 5.3 V / 0.2V	fcgck	fc	-	7.0	11	mA
Supply Current in IDLE mode					fc/2	-	4.4	7.0	
					fc/4	-	2.8	5.1	
					fc/8	-	2.2	4.5	
				fcgck	fc	-	3.6	5.5	
fc/2					-	2.6	4.2		
fc/4			-		2.0	3.7			
Supply Current in NORMAL mode			fcgck	V <sub>DD</sub> = 3.0 V f <sub>c</sub> = 4.19 MHz V <sub>IN</sub> = 2.8 V / 0.2V	fc	-	1.7	2.8	
					fc/2	-	1.1	2.0	
					fc/4	-	0.7	1.4	
					fc/8	-	0.5	1.2	
Supply Current in IDLE mode			fcgck	fc	fc	-	0.9	1.6	
	fc/2	-			0.7	1.4			
	fc/4	-			0.5	1.0			
Supply Current in STOP mode	fcgck	fc	fc	-	0.4	0.95			
			fc/8	-	0.4	0.95			
Supply Current in STOP mode			V <sub>DD</sub> = 5.5 V V <sub>IN</sub> = 5.3 V / 0.2 V	-	0.5	10	μA		

Note 1: Typical values show those at T<sub>opr</sub> = 25 °C, V<sub>DD</sub> = 5 V.

Note 2: Input Current I<sub>IN1</sub>, I<sub>IN3</sub>: The current through resistor is not included, when the input resistor (pull-up or pull-down) is contained.

Note 3: I<sub>DD</sub>; Except for I<sub>REF</sub>

A/D CONVERSION CHARACTERISTICS

(V<sub>SS</sub> = 0 V, V<sub>DD</sub> = 2.7 to 5.5V, T<sub>opr</sub> = -30 to 70 °C)

PARAMETER	SYMBOL	CONDITIONS	Min.	Typ.	Max.	UNIT
Analog Reference Voltage	V <sub>AREF</sub>		2.7	-	V <sub>DD</sub>	V
	V <sub>ASS</sub>		V <sub>SS</sub>			
Analog Input Voltage Range	V <sub>AIN</sub>		V <sub>ASS</sub>	-	V <sub>AREF</sub>	V
Analog Reference Current	I <sub>REF</sub>	V <sub>AREF</sub> = 5.5 V, V <sub>ASS</sub> (V <sub>SS</sub> ) = 0.0 V	-	0.8	1.0	mA
Nonlinearity Error		V <sub>DD</sub> = 5.0 V, V <sub>AREF</sub> = 5.000V V <sub>ASS</sub> (V <sub>SS</sub> ) = 0.000V or V <sub>DD</sub> = 2.7 V, V <sub>AREF</sub> = 2.700V V <sub>ASS</sub> (V <sub>SS</sub> ) = 0.000V	-	-	± 1	LSB
Zero Point Error			-	-	± 1	
Full Scale Error			-	-	± 1	
Total Error			-	-	± 2	

Note: Quantizing error is not contained in those errors.

A.C. CHARACTERISTICS ( I )

( $V_{SS} = 0\text{ V}$ ,  $V_{DD} = 4.5\text{ to }5.5\text{ V}$ ,  $T_{opr} = -30\text{ to }70\text{ }^\circ\text{C}$ )

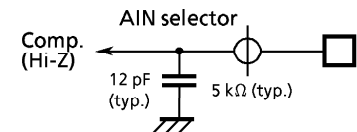
PARAMETER	SYMBOL	CONDITIONS	Min.	Typ.	Max.	UNIT
Machine Cycle Timer	t <sub>cy</sub>	In NORMAL mode	0.5	-	4	$\mu\text{s}$
		In IDLE mode				
High Level Clock Pulse Width	t <sub>WCH</sub>	For external clock operation f <sub>c</sub> = 8 MHz	50	-	-	ns
Low Level Clock Pulse Width	t <sub>WCL</sub>					
A/D Conversion Time	t <sub>ADC</sub>	ACK = 0	-	46	-	t <sub>cy</sub>
		ACK = 1		184		
A/D Sampling Time	t <sub>AIN</sub>		-	4	-	

A.C. CHARACTERISTICS ( II )

( $V_{SS} = 0\text{ V}$ ,  $V_{DD} = 2.7\text{ to }5.5\text{ V}$ ,  $T_{opr} = -30\text{ to }70\text{ }^\circ\text{C}$ )

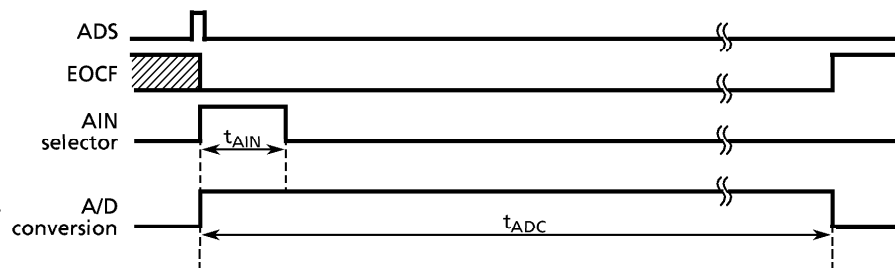
PARAMETER	SYMBOL	CONDITIONS	Min.	Typ.	Max.	UNIT
Machine Cycle Time	t <sub>cy</sub>	In NORMAL mode	0.95	-	4	$\mu\text{s}$
		In IDLE mode				
High Level Clock Pulse Width	t <sub>WCH</sub>	For external clock operation f <sub>c</sub> = 4.2 MHz	110	-	-	ns
Low Level Clock Pulse Width	t <sub>WCL</sub>					
A/D Conversion Time	t <sub>ADC</sub>	ACK = 0	-	46	-	t <sub>cy</sub>
		ACK = 1		184		
A/D Sampling Time	t <sub>AIN</sub>		-	4	-	

Note: A/D conversion timing :  
Internal circuit for AIN0 to 5



※ To maintain a precision of A/D conversion, internal condenser must be charged until t<sub>AIN</sub> is over.

A/D conversion timing



RECOMMENDED OSCILLATING CONDITIONS ( I )

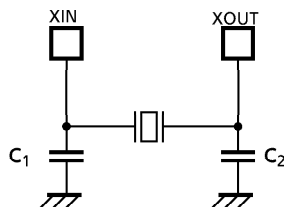
( $V_{SS} = 0\text{ V}$ ,  $V_{DD} = 4.5\text{ to }5.5\text{ V}$ ,  $T_{opr} = -30\text{ to }70\text{ }^\circ\text{C}$ )

PARAMETER	Oscillator	Oscillation Frequency	Recommended Oscillator	Recommended Conditions	
				C <sub>1</sub>	C <sub>2</sub>
High-frequency Oscillation	Ceramic Resonator	8 MHz (VDD = 4.5 to 5.5 V)	KYOCERA KBR8.0M	30 pF	30 pF
			MURATA CSAC8.00MT	30 pF	30 pF
			MURATA CSA8.00MTZ CST8.00MTW CST58.00MT	—	—
		4.19 MHz (VDD = 2.7 to 5.5 V)	MURATA CSA4.19MG	30 pF	30 pF
	MURATA CST4.19MGW		—	—	
	4 MHz (VDD = 2.7 to 5.5 V)	KYOCERA KBR4.0MS	30 pF	30 pF	
Crystal Oscillator	8 MHz (VDD = 4.5 to 5.5 V)	TOYOCOM 210B 8.0000	20 pF	20 pF	
		4 MHz (VDD = 2.7 to 5.5 V)			TOYOCOM 204B 4.000

RECOMMENDED OSCILLATING CONDITIONS ( II )

( $V_{SS} = 0\text{ V}$ ,  $V_{DD} = 2.7\text{ to }5.5\text{ V}$ ,  $T_{opr} = -30\text{ to }70\text{ }^\circ\text{C}$ )

PARAMETER	Oscillator	Oscillation Frequency	Recommended Oscillator	Recommended Conditions	
				C <sub>1</sub>	C <sub>2</sub>
High-frequency Oscillation	Ceramic Resonator	4.19 MHz (VDD = 2.7 to 5.5 V)	MURATA CSA4.19MG	30 pF	30 pF
			MURATA CST4.19MGW	—	—
		4 MHz (VDD = 2.7 to 5.5 V)	MURATA CSA4.00MG	30 pF	30 pF
			MURATA CSA4.00MGC	—	—
			MURATA CST4.00MGW	—	—
			MURATA CSTC4.00MG	—	—
MURATA CSTCS4.00MG	—	—			



(1) High-frequency Oscillation

Note : When used in high electric field such as a picture tube, the package is recommended to be electrically shielded to maintain a regular operation.

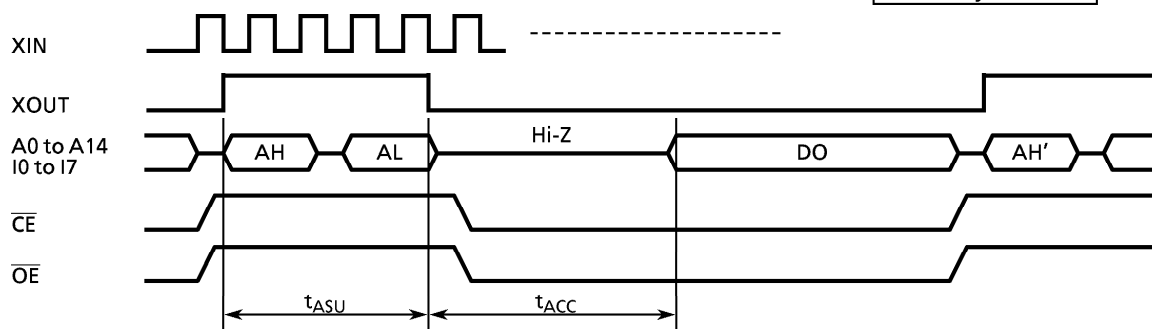
D.C. CHARACTERISTICS, A.C. CHARACTERISTICS

(V<sub>SS</sub> = 0 V)

(1) READ OPERATION (T<sub>opr</sub> = 0 to 70 °C)

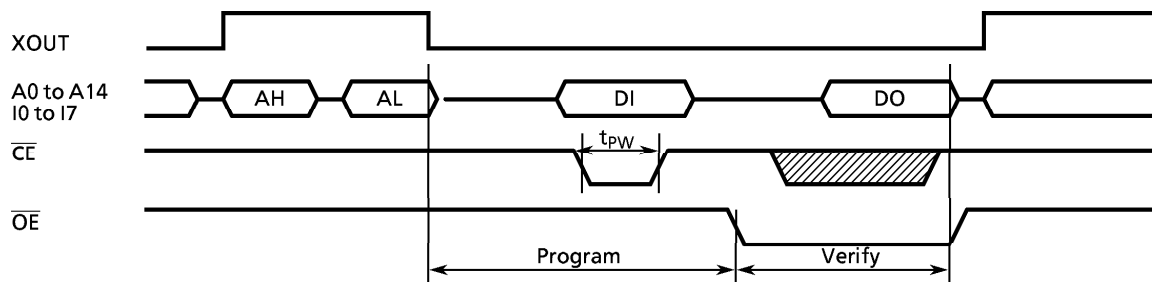
PARAMETER	SYMBOL	CONDITIONS	Min.	Typ.	Max.	UNIT
Input High Voltage	V <sub>IH4</sub>		V <sub>CC</sub> × 0.67	–	V <sub>CC</sub>	V
Input Low Voltage	V <sub>IL4</sub>		0	–	V <sub>CC</sub> × 0.3	V
Supply Voltage	V <sub>CC</sub>		4.75	5.00	5.25	V
Program Supply Voltage	V <sub>PP</sub>		V <sub>CC</sub> – 0.6	V <sub>CC</sub>	V <sub>CC</sub> + 0.6	
Address Set-up Time	t <sub>ASU</sub>		400	–	–	ns
Address Access Time	t <sub>ACC</sub>	V <sub>CC</sub> = 5.0 ± 0.25 V	–	5tcyc	–	ns

Note: tcyc = 400 ns



(2) PROGRAM OPERATION (High speed write mode - I) (T<sub>opr</sub> = 25 ± 5 °C)

PARAMETER	SYMBOL	CONDITIONS	Min.	Typ.	Max.	UNIT
Input High Voltage	V <sub>IH4</sub>		V <sub>CC</sub> × 0.7	–	V <sub>CC</sub>	V
Input Low Voltage	V <sub>IL4</sub>		0	–	V <sub>CC</sub> × 0.12	V
Supply Voltage	V <sub>CC</sub>		5.75	6.0	6.25	V
Program Supply Voltage	V <sub>PP</sub>		12.0	12.5	13.0	V
Initial Program Pulse Width	t <sub>PW</sub>	V <sub>CC</sub> = 6.0 V ± 0.25 V, V <sub>PP</sub> = 12.5 V ± 0.25 V	0.95	1.0	1.05	ms

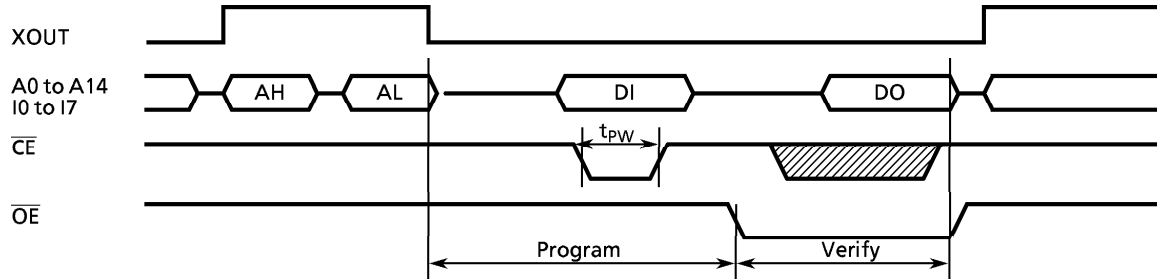


Note: DO ; Data output (I0 to I7) AL ; Address input (A0 to A7)  
DI ; Data input (I0 to I7) AH ; Address input (A8 to A14)

- Note 1: When V<sub>CC</sub> power supply is turned on or after, V<sub>PP</sub> must be increased.  
When V<sub>CC</sub> power supply is turned off or before, V<sub>PP</sub> must be decreased.
- Note 2: The device must not be set to the EPROM programmer or picked up from it under applying the program voltage (12.5V ± 0.5V) to the V<sub>PP</sub> pin as the device is damaged.
- Note 3: Be sure to execute the recommended programming mode with the recommended programming adaptor. If a mode or an adaptor except the above, the misoperation sometimes occurs.

(3) PROGRAM OPERATION (High speed write mode - II) ( $T_{opr} = 25 \pm 5 \text{ }^\circ\text{C}$ )

PARAMETER	SYMBOL	CONDITIONS	Min.	Typ.	Max.	UNIT
Input High Voltage	$V_{IH4}$		$V_{CC} \times 0.7$	–	$V_{CC}$	V
Input Low Voltage	$V_{IL4}$		0	–	$V_{CC} \times 0.12$	V
Supply Voltage	$V_{CC}$		6.00	6.25	6.50	V
Program Supply Voltage	$V_{PP}$		12.50	12.75	13.0	V
Initial Program Pulse Width	$t_{PW}$	$V_{CC} = 6.25 \text{ V} \pm 0.25 \text{ V}$ , $V_{PP} = 12.75 \text{ V} \pm 0.25 \text{ V}$	0.095	0.1	0.105	ms



Note: DO ; Data output (I0 to I7)    AL ; Address input (A0 to A7)  
 DI ; Data input (I0 to I7)        AH ; Address input (A8 to A14)

- Note 1: When  $V_{CC}$  power supply is turned on or after,  $V_{PP}$  must be increased.  
 When  $V_{CC}$  power supply is turned off or before,  $V_{PP}$  must be decreased.
- Note 2: The device must not be set to the EPROM programmer or picked up from it under applying the program voltage ( $12.5\text{V} \pm 0.5\text{V}$ ) to the  $V_{PP}$  pin as the device is damaged.
- Note 3: Be sure to execute the recommended programming mode with the recommended programming adaptor. If a mode or an adaptor except the above, the misoperation sometimes occurs.

**RECOMMENDED EPROM PROGRAMMER**

- DATA I/O            UNISTTE (SITE40)
- ADVANTEST        R4945A
- AVAL DATA        PECKER11    MARK-II (version 5.5)

## ELECTRICAL CHARACTERISTICS

(1) 87P808L

## ABSOLUTE MAXIMUM RATINGS

 $(V_{SS} = 0\text{ V})$ 

PARAMETER		SYMBOL	CONDITIONS	RATINGS	UNIT
Supply Voltage		$V_{DD}$		- 0.3 to 6.5	V
Program Voltage		$V_{PP}$	TEST / $V_{PP}$ pin	- 0.3 to 13.0	V
Input Voltage		$V_{IN}$		- 0.3 to $V_{DD} + 0.3$	V
Output Voltage		$V_{OUT}$		- 0.3 to $V_{DD} + 0.3$	V
Output Current (Per 1 pin)	IOL	$I_{OUT1}$	P1, P6	3.2	mA
		$I_{OUT2}$	P7 (Middle current port)	15	mA
	IOH	$I_{OUT3}$	P1, P6, P7	- 1.8	mA
Output Current (Total)	IOL	$\Sigma I_{OUT1}$	P1, P6	50	mA
		$\Sigma I_{OUT2}$	P7 (Middle current port)	60	mA
	IOH	$\Sigma I_{OUT3}$	P1, P6, P7	30	mA
Power Dissipation [Topr = 70 °C]		PD	SDIP	300	mW
			SOP	180	
Soldering Temperature (time)		Tsld		260 (10 s)	°C
Storage Temperature		Tstg		- 55 to 125	°C
Operating Temperature		Topr		- 30 to 70	°C

## RECOMMENDED OPERATING CONDITIONS

 $(V_{SS} = 0\text{ V}, Topr = - 30\text{ to }70\text{ °C})$ 

PARAMETER	SYMBOL	PINS	CONDITIONS	Min.	Max.	UNIT	
Supply Voltage	$V_{DD}$		fc = 4.2 MHz	NORMAL mode	1.8	4.0	V
			IDLE mode				
			STOP mode				
Input High Voltage	$V_{IH}$			$V_{DD} \times 0.90$	$V_{DD}$	V	
Input Low Voltage	$V_{IL}$			0	$V_{DD} \times 0.10$	V	
Clock Frequency	fc	XIN, XOUT	$V_{DD} = 1.8\text{ to }4.0\text{ V}$	1.0	4.2	MHz	

Note1: Clock frequency fc : Supply voltage range is specified in NORMAL mode and IDLE mode.

Note2: Minimum of clock frequency :  $1\text{ MHz} \leq fcgck$

D.C. CHARACTERISTICS

(V<sub>SS</sub> = 0 V, Topr = -30 to 70 °C)

PARAMETER	SYMBOL	PINS	CONDITIONS	Min.	Typ.	Max.	UNIT		
Hysteresis Voltage	V <sub>HS</sub>	Hysteresis inputs		-	0.9	-	V		
Input Current	I <sub>IN1</sub>	TEST	V <sub>DD</sub> = 4.0 V V <sub>IN</sub> = 4.0 V / 0 V	-2	-	2	μA		
	I <sub>IN2</sub>	Tri-state ports							
	I <sub>IN3</sub>	RESET, STOP							
Input Resistance	R <sub>IN1</sub>	TEST		30	70	150	kΩ		
	R <sub>IN2</sub>	RESET		100	220	450			
	R <sub>IN3</sub>	STOPI	i = 2 to 5	30	130	250			
Output Leak Current	I <sub>LO</sub>	Tri-state ports	V <sub>DD</sub> = 4.0 V, V <sub>OUT</sub> = 4.0 V / 0V	-2	-	2	μA		
Output High Voltage	V <sub>OH2</sub>	Tri-state ports	V <sub>DD</sub> = 4.0 V, I <sub>OH</sub> = -0.5 mA	3.6	-	-	V		
Output Low Voltage	V <sub>OL</sub>	Except XOUT and P7	V <sub>DD</sub> = 4.0V, I <sub>OL</sub> = 1.3 mA	-	-	0.4	V		
Output Low Current	I <sub>OL3</sub>	P/	V <sub>DD</sub> = 4.0 V, V <sub>OL</sub> = 1.0 V	-	6	-	mA		
Supply Current in NORMAL mode	I <sub>DD</sub>		V <sub>DD</sub> = 4 V fc = 4.19 MHz V <sub>IN</sub> = 3.8 V / 0.2V	fcgck	fc	-	2.25	3.6	mA
Supply Current in IDLE mode					fc/2	-	1.35	2.5	
					fc/4	-	0.9	1.9	
					fc/8	-	0.7	1.65	
Supply Current in NORMAL mode				fcgck	fc	-	1.2	1.9	
					fc/2	-	0.9	1.7	
					fc/4	-	0.7	1.5	
Supply Current in IDLE mode				fcgck	fc/8	-	0.6	1.4	
			fc		-	1.5	2.5		
			fc/2		-	0.85	1.6		
Supply Current in NORMAL mode			fcgck	fc/4	-	0.6	1.2		
				fc/8	-	0.4	1.0		
				fc	-	0.8	1.4		
Supply Current in IDLE mode			fcgck	fc/2	-	0.55	1.1		
	fc/4	-		0.45	0.9				
	fc/8	-		0.35	0.85				
Supply Current in NORMAL mode	fcgck	fc	-	0.9	1.3				
		fc/2	-	0.5	0.8				
		fc/4	-	0.3	0.45				
Supply Current in IDLE mode	fcgck	fc/8	-	0.2	0.35				
		fc	-	0.35	0.5				
		fc/2	-	0.23	0.35				
Supply Current in NORMAL mode	fcgck	fc/4	-	0.17	0.26				
		fc/8	-	0.14	0.24				
		fc	-	0.35	0.5				
Supply Current in STOP mode			V <sub>DD</sub> = 4.0 V V <sub>IN</sub> = 3.8 V / 0.2 V	-	0.5	10	μA		

Note 1: Typical values show those at Topr = 25 °C, VDD = 4 V.

Note 2: Input Current I<sub>IN1</sub>, I<sub>IN3</sub>: The current through resistor is not included, when the input resistor (pull-up or pull-down) is contained.

Note 3: I<sub>DD</sub>; Except for I<sub>REF</sub>

## A/D CONVERSION CHARACTERISTICS ( I )

 $(V_{DD} = 1.8 \text{ to } 4.0 \text{ V}, T_{opr} = -30 \text{ to } 70 \text{ }^\circ\text{C}, V_{SS} = 0\text{V})$ 

PARAMETER	SYMBOL	CONDITIONS	Min.	Typ.	Max.	UNIT
Analog Reference Voltage	$V_{AREF}$		1.8	–	$V_{DD}$	V
	$V_{ASS}$		$V_{SS}$			
Analog Input Voltage Range	$V_{AIN}$		$V_{ASS}$	–	$V_{AREF}$	V
Nonlinearity Error		$1.8 \text{ V} \leq V_{AREF} < 2.7 \text{ V}$ $V_{AREF} \leq V_{DD} \leq 4.0$ $V_{ASS} (V_{SS}) = 0.000\text{V}$ $ACK = 1$ (Note2)	–	–	$\pm 2$	LSB
Zero Point Error			–	–	$\pm 2$	
Full Scale Error			–	–	$\pm 2$	
Total Error			–	–	$\pm 4$	

*Note1: Quantizing error is not contained in those errors.**Note2: ACK ; bit5 of ADCCR (#000E<sub>H</sub>). conversion time = 184 tcy (175.6  $\mu\text{s}$  / at fcgck = 4.19 MHz)*

## A/D CONVERSION CHARACTERISTICS ( II )

 $(V_{SS} = 0\text{V}, V_{DD} = 2.7 \text{ to } 4.0 \text{ V}, T_{opr} = -30 \text{ to } 70 \text{ }^\circ\text{C})$ 

PARAMETER	SYMBOL	CONDITIONS	Min.	Typ.	Max.	UNIT
Analog Reference Voltage	$V_{AREF}$		2.7	–	$V_{DD}$	V
	$V_{ASS}$		$V_{SS}$			
Analog Input Voltage Range	$V_{AIN}$		$V_{ASS}$	–	$V_{AREF}$	V
Analog Reference Current	$I_{REF}$	$V_{AREF} = 4.0\text{V}, V_{ASS} (V_{SS}) = 0.0\text{V}$	–	0.5	1.0	mA
Nonlinearity Error		$V_{DD} = 4.0 \text{ V}$ $V_{AREF} = 4.000\text{V}$ $V_{ASS} (V_{SS}) = 0.000\text{V}$ or $V_{DD} = 2.7 \text{ V}$ $V_{AREF} = 2.700\text{V}$ $V_{ASS} (V_{SS}) = 0.000\text{V}$	–	–	$\pm 1$	LSB
Zero Point Error			–	–	$\pm 1$	
Full Scale Error			–	–	$\pm 1$	
Total Error			–	–	$\pm 2$	

*Note: Quantizing error is not contained in those errors.*

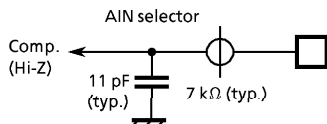


A.C. CHARACTERISTICS

( $V_{SS} = 0\text{ V}$ ,  $V_{DD} = 1.8\text{ to }4.0\text{ V}$ ,  $T_{opr} = -30\text{ to }70\text{ }^{\circ}\text{C}$ )

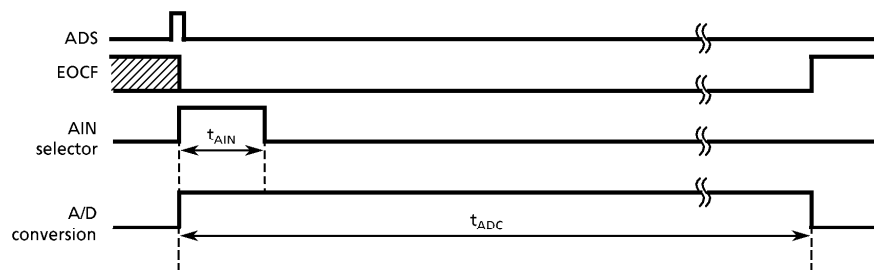
PARAMETER	SYMBOL	CONDITIONS	Min.	Typ.	Max.	UNIT
Machine Cycle Time	t <sub>cy</sub>	In NORMAL mode	0.95	-	4	μs
		In IDLE mode				
High Level Clock Pulse Width	t <sub>WCH</sub>	For external clock operation f <sub>c</sub> = 4.2 MHz	110	-	-	ns
Low Level Clock Pulse Width	t <sub>WCL</sub>					
A/D Conversion Time	t <sub>ADC</sub>	ACK = 0	-	46	-	t <sub>cy</sub>
		ACK = 1		184		
A/D Sampling Time	t <sub>ΔIN</sub>		-	4		

Note: A/D conversion timing :  
Internal circuit for AIN 0 to 5



※ To maintain a precision of A/D conversion, internal condenser must be charged until t<sub>ΔIN</sub> is over.

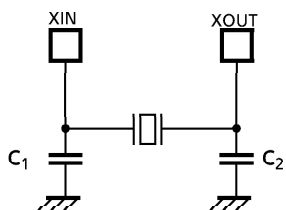
A/D conversion timing



RECOMMENDED OSCILLATING CONDITIONS

(V<sub>SS</sub> = 0 V, T<sub>opr</sub> = - 30 to 70 °C)

PARAMETER	Oscillator	Oscillation Frequency	Recommended Oscillator		Recommended Conditions	
					C <sub>1</sub>	C <sub>2</sub>
High-frequency Oscillation	Ceramic Resonator	4.19 MHz (VDD = 2.7 to 5.5 V)	MURATA	CSA4.19MG	30 pF	30 pF
			MURATA	CST4.19MGW	—	—
		4 MHz (VDD = 2.7 to 5.5 V)	MURATA	CSA4.00MG	30 pF	30 pF
				CSA4.00MGC	—	—
			MURATA	CST4.00MGW	—	—
				CSTC4.00MG	—	—
MURATA	CSTCS4.00MG	—	—			



(1) High-frequency Oscillation

*Note: When used in high electric field such as a picture tube, the package is recommended to be electrically shielded to maintain a regular operation.*

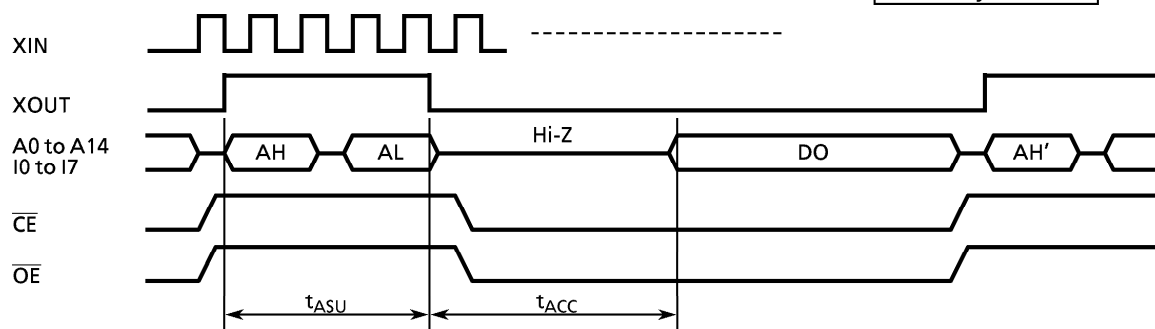
D.C. CHARACTERISTICS, A.C. CHARACTERISTICS

(V<sub>SS</sub> = 0 V)

(1) READ OPERATION (T<sub>opr</sub> = 0 to 70 °C)

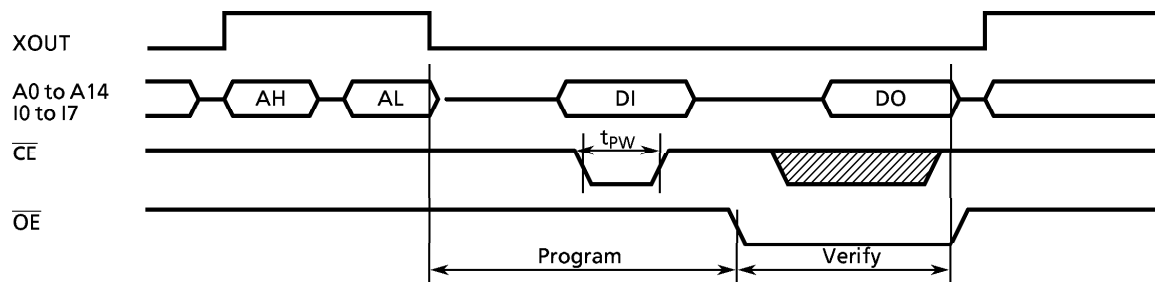
PARAMETER	SYMBOL	CONDITIONS	Min.	Typ.	Max.	UNIT
Input High Voltage	V <sub>IH4</sub>		V <sub>CC</sub> × 0.67	–	V <sub>CC</sub>	V
Input Low Voltage	V <sub>IL4</sub>		0	–	V <sub>CC</sub> × 0.3	V
Supply Voltage	V <sub>CC</sub>		4.75	5.00	5.25	V
Program Supply Voltage	V <sub>PP</sub>		V <sub>CC</sub> – 0.6	V <sub>CC</sub>	V <sub>CC</sub> + 0.6	
Address Set-up Time	t <sub>ASU</sub>		400	–	–	ns
Address Access Time	t <sub>ACC</sub>	V <sub>CC</sub> = 5.0 ± 0.25 V	–	5tcyc	–	ns

Note: tcyc = 400 ns



(2) PROGRAM OPERATION (High speed write mode - I ) (T<sub>opr</sub> = 25 ± 5 °C)

PARAMETER	SYMBOL	CONDITIONS	Min.	Typ.	Max.	UNIT
Input High Voltage	V <sub>IH4</sub>		V <sub>CC</sub> × 0.7	–	V <sub>CC</sub>	V
Input Low Voltage	V <sub>IL4</sub>		0	–	V <sub>CC</sub> × 0.12	V
Supply Voltage	V <sub>CC</sub>		5.75	6.0	6.25	V
Program Supply Voltage	V <sub>PP</sub>		12.0	12.5	13.0	V
Initial Program Pulse Width	t <sub>PW</sub>	V <sub>CC</sub> = 6.0 V ± 0.25 V, V <sub>PP</sub> = 12.5 V ± 0.25 V	0.95	1.0	1.05	ms

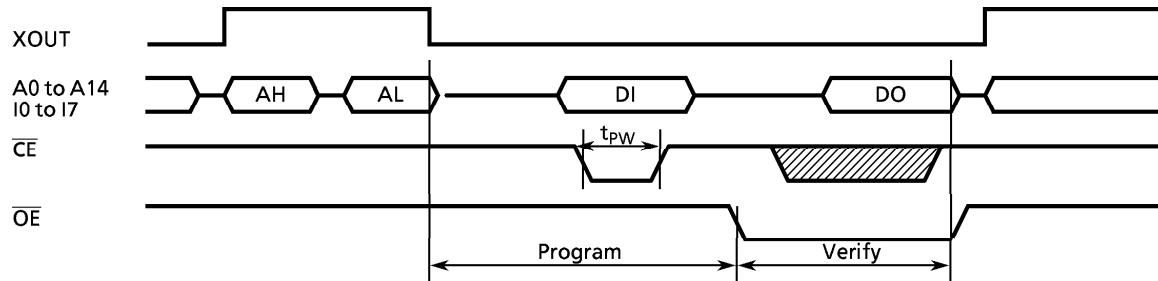


Note: DO ; Data output (I0 to I7) AL ; Address input (A0 to A7)  
DI ; Data input (I0 to I7) AH ; Address input (A8 to A14)

- Note1: When V<sub>CC</sub> power supply is turned on or after, V<sub>PP</sub> must be increased.  
When V<sub>CC</sub> power supply is turned off or before, V<sub>PP</sub> must be decreased.
- Note2: The device must not be set to the EPROM programmer or picked up from it under applying the program voltage (12.5V ± 0.5V) to the V<sub>PP</sub> pin as the device is damaged.
- Note3: Be sure to execute the recommended programing mode with the recommended programing adaptor. If a mode or an adaptor except the above, the misoperation sometimes occurs.

(3) PROGRAM OPERATION (High speed write mode - II) (Topr = 25 ± 5 °C)

PARAMETER	SYMBOL	CONDITIONS	Min.	Typ.	Max.	UNIT
Input High Voltage	$V_{IH4}$		$V_{CC} \times 0.7$	-	$V_{CC}$	V
Input Low Voltage	$V_{IL4}$		0	-	$V_{CC} \times 0.12$	V
Supply Voltage	$V_{CC}$		6.00	6.25	6.50	V
Program Supply Voltage	$V_{PP}$		12.50	12.75	13.0	V
Initial Program Pulse Width	$t_{PW}$	$V_{CC} = 6.25 V \pm 0.25 V,$ $V_{PP} = 12.75 V \pm 0.25 V$	0.095	0.1	0.105	ms



Note: DO ; Data output (I0 to I7)    AL ; Address input (A0 to A7)  
 DI ; Data input (I0 to I7)        AH ; Address input (A8 to A14)

- Note1: When  $V_{CC}$  power supply is turned on or after,  $V_{PP}$  must be increased.  
 When  $V_{CC}$  power supply is turned off or before,  $V_{PP}$  must be decreased.
- Note2: The device must not be set to the EPROM programmer or picked up from it under applying the program voltage ( $12.5V \pm 0.5V$ ) to the  $V_{PP}$  pin as the device is damaged.
- Note3: Be sure to execute the recommended programing mode with the recommended programing adaptor. If a mode or an adaptor except the above, the misoperation sometimes occurs.

RECOMMENDED EPROM PROGRAMMER

DATA I/O	UNISTTE (SITE40)
ADVANTEST	R4945A
AVAL DATA	PECKER11 MARK-II (version 5.5)