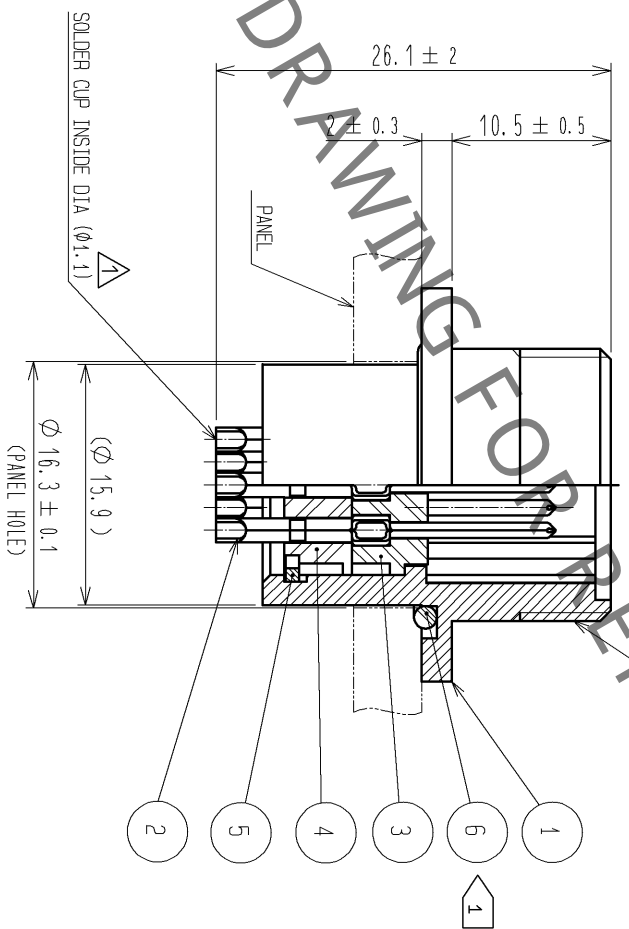
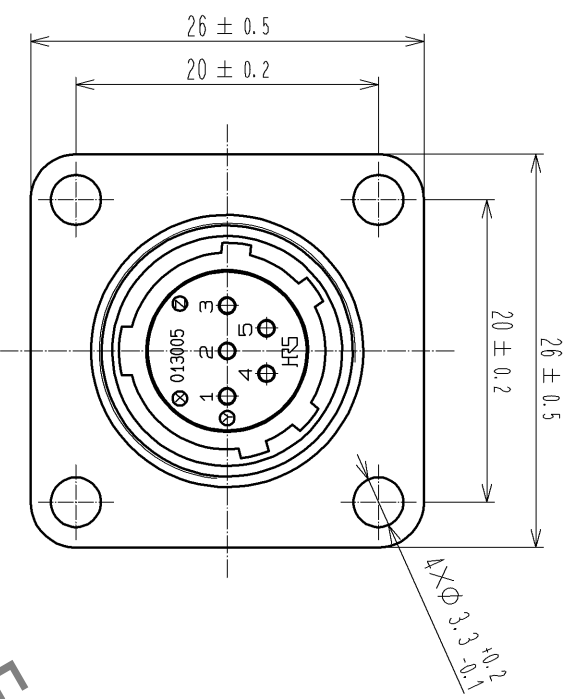


In case of consideration for using Automotive equipment / device which demand high reliability, kindly contact our sales window correspondents.



NOTE ① WHEN MOUNTED ON CHASSIS, BE CAREFUL THAT REFERENCE NO. ⑥ IS FITTED INTO THE INDICATED GROOVE WITHOUT ANY BITING.

3	PHENOL-FORMALDEHYDE (BLACK)	UL94V-0	⑥	SILICONE RUBBER (BLACK)	
2	COPPER ALLOY	SILVER PLATING 3µm min	⑤	PHOSPHOR BRONZE	NICKEL PLATING
1	ALUMINUM ALLOY	BLACK CHROME PLATING	4	PHENOL-FORMALDEHYDE (BLACK)	UL94V-0
NO.	MATERIAL	FINISH . REMARKS	NO.	MATERIAL	FINISH . REMARKS

UNITS	SCALE	COUNT	DESCRIPTION OF REVISIONS	HT. ZENBA	CHECKED	DATE
mm	2 : 1	1	DIS-C-003192		EJ. KUNII	13.08.29
APPROVED : EJ. KUNII		13.03.07		DRAWING NO.		EDC4-110578-72
CHECKED : EJ. KUNII		13.03.07		PART NO.		JR13WR-5P(72)
DESIGNED : HY. KISHI		13.03.07		CODE NO.		CL114-2024-0-72
DRAWN : HY. KISHI		13.03.07		NO.		